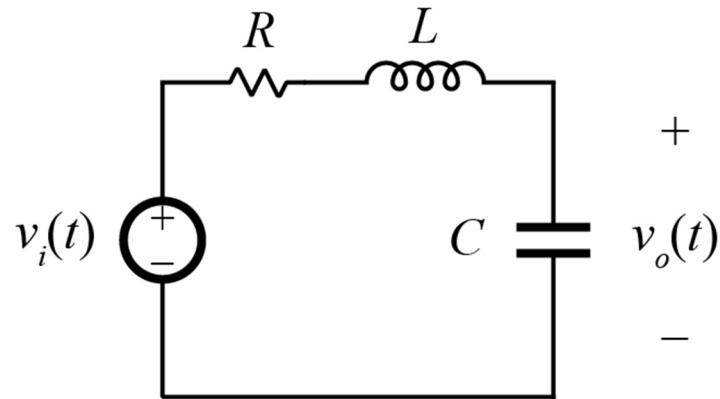


Complex Roots: Complex Math

Complex Roots: General Case

Complex Roots: Table Lookup

Example



$$v_i(t) = \sin(2t) u(t)$$

$$L = 500\text{mH}, \quad C = 500\mu\text{F}, \quad R = 2\Omega$$

$$v_C(0) = 5\text{V}, \quad i_L(0) = -2\text{A}$$





Comparison to Simulation

