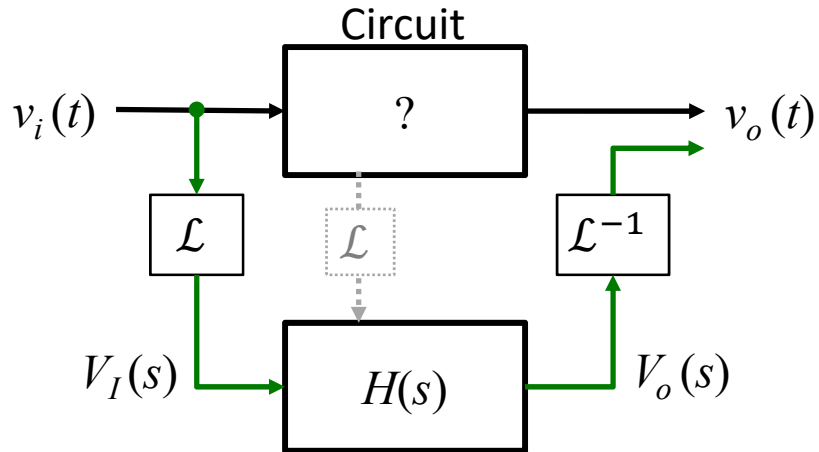
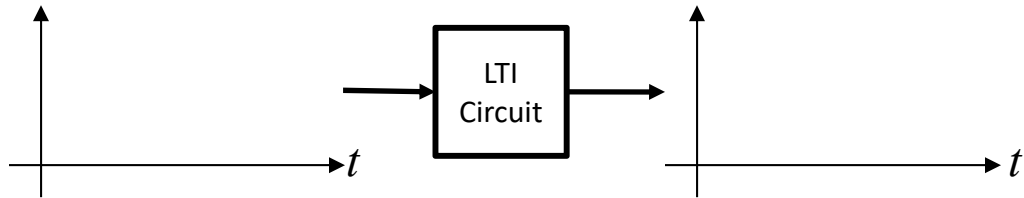
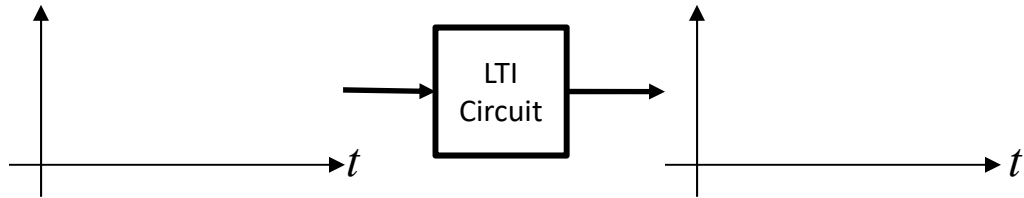
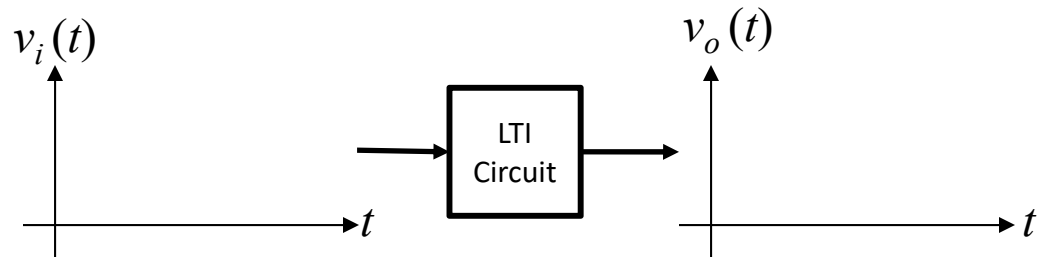


System I/O Relationship

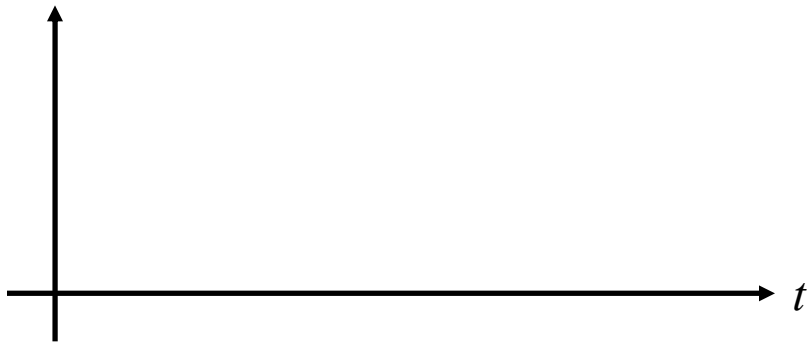


Convolution



The Convolution Integral

Graphical Convolution



Example Problem

