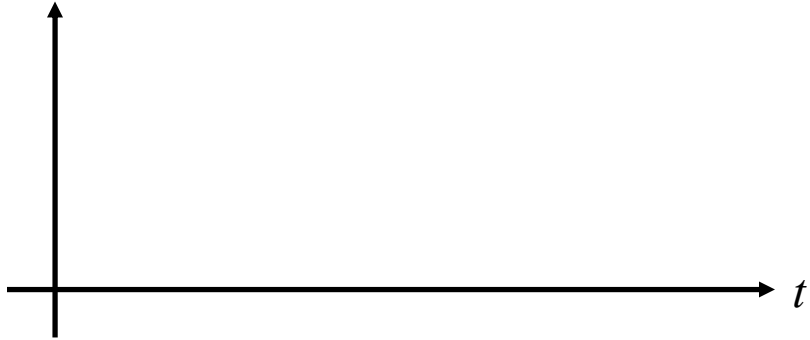
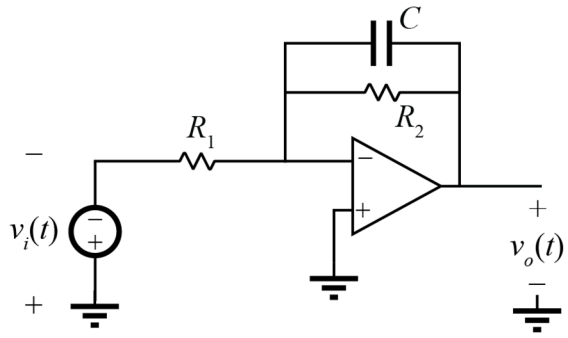


Graphical Convolution



Example Problem



Example Problem



