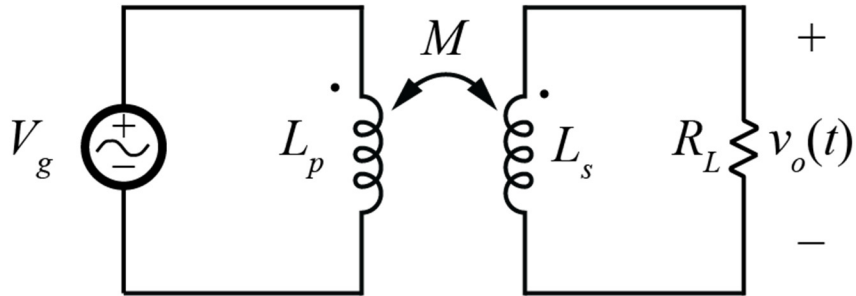
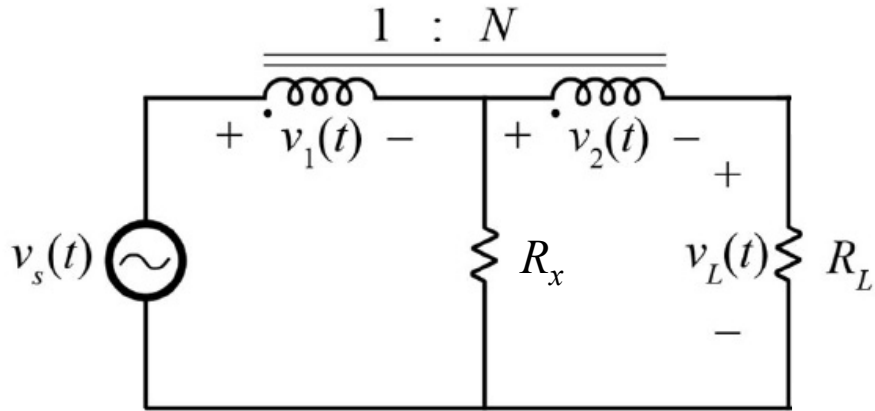


# Coupled Inductor Example

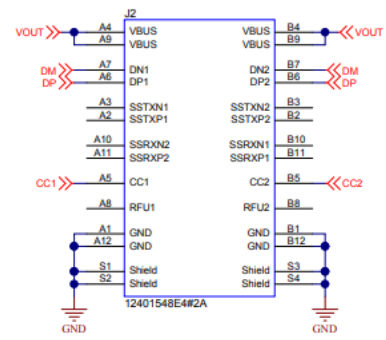
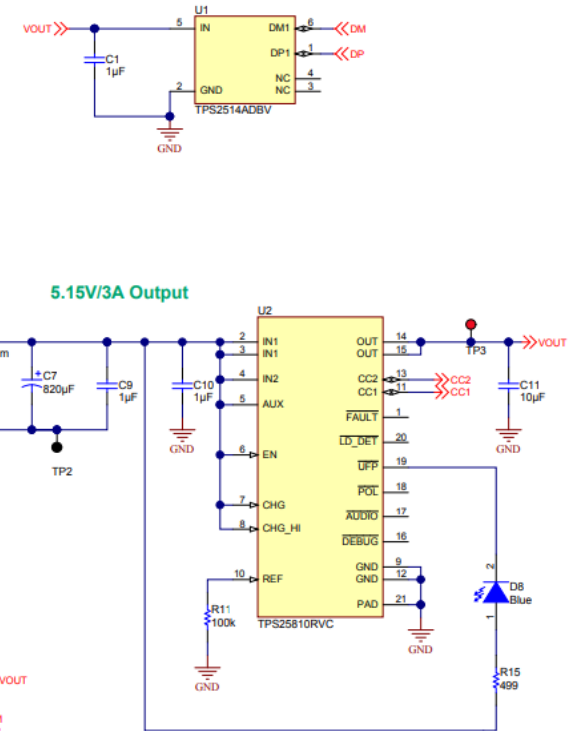
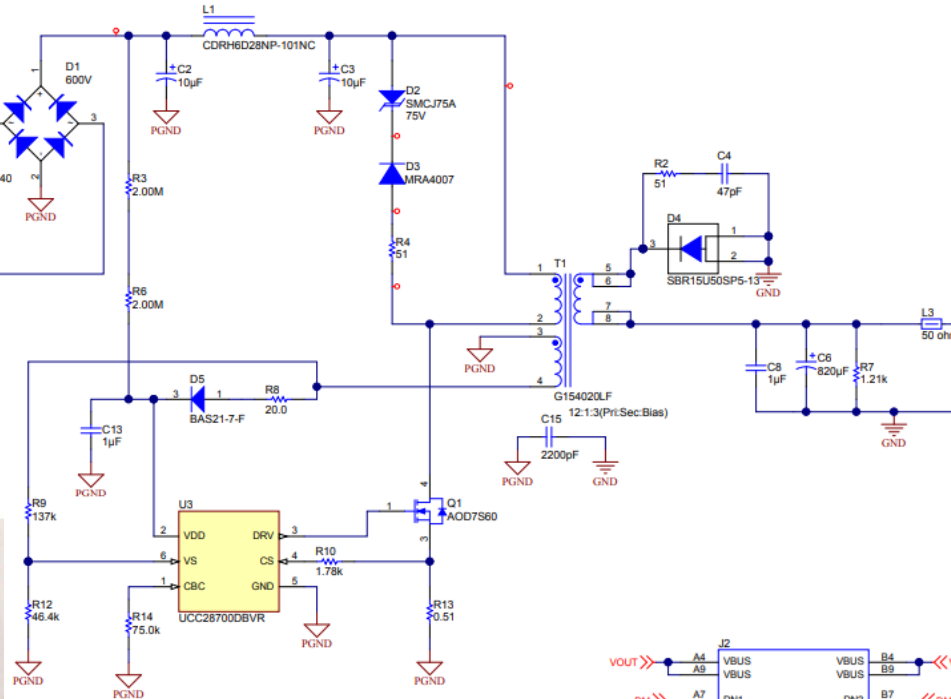
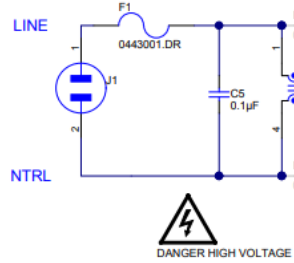


# Ideal Transformer Example



# 15W USB Adapter Reference Design

85VAC-265VAC Input



<https://www.ti.com/tool/PMP11124>



