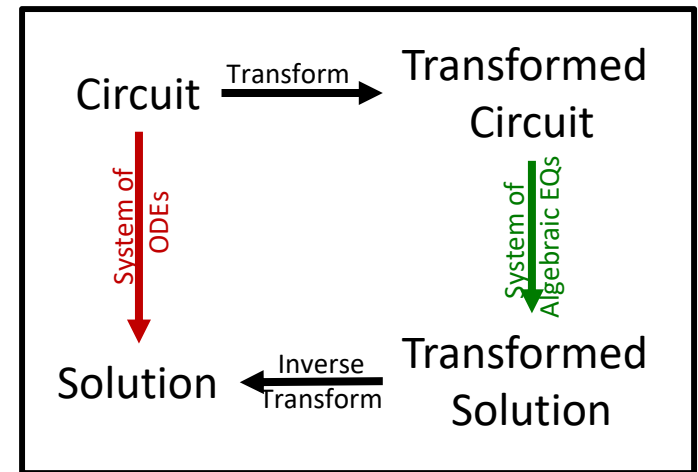
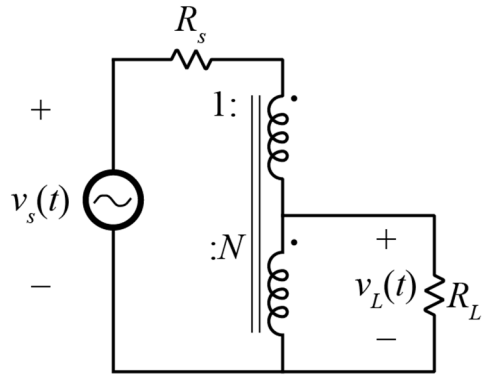


# Phasor Circuit Analysis



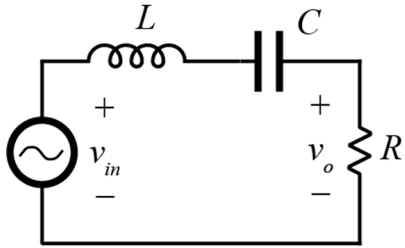
# Example Problem



Find  $v_L(t)$  for  $v_s(t) = 170\cos(2\pi 60t)$  and for  $R_s = 10 \Omega$ ,  $N = 0.1$ , and  $R_L = 50 \Omega$



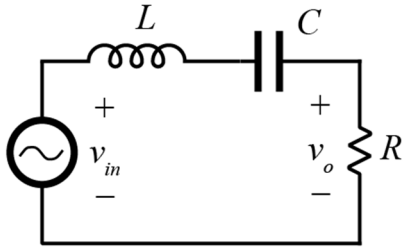
# Resonance Example



Find  $v_o(t)$  for  $v_{in}(t) = 10\sin(\omega t)$  and  $\omega = 2\pi 100$  kHz,  
 $R = 10 \Omega$ ,  $L = 10 \mu\text{H}$ , and  $C = 253$  nF



# Phasor Superposition



Find  $v_o(t)$  for  $v_{in}(t) = 10\cos(\omega t) + 10\cos(2\omega t) + 10\cos(0.5\omega t)$   
and  $\omega = 2\pi 100$  kHz,  $R = 10 \Omega$ ,  $L = 10 \mu\text{H}$ , and  $C = 253$  nF



# Example: WPT Problem

