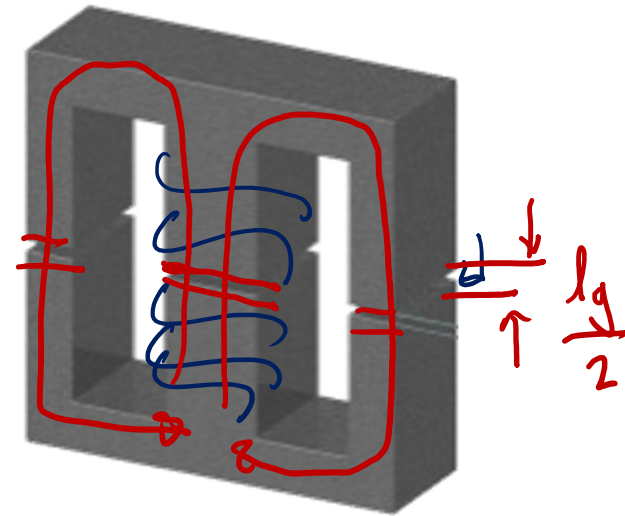
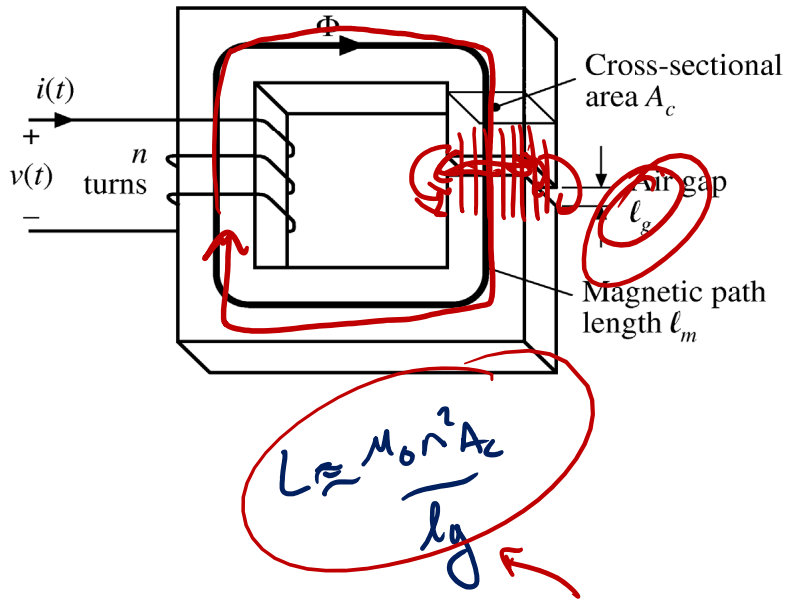


Experiment #3 Comments

- Focus on clean wiring, emphasizing good layout techniques
 - Keep pulsating current loops small
 - No wire is an ideal short
- Drill vector board holes first
- Avoid transients
 - Start switching, then slowly bring up input voltage
- Always have representative waveforms on oscilloscope
 - Switched node voltage, inductor current

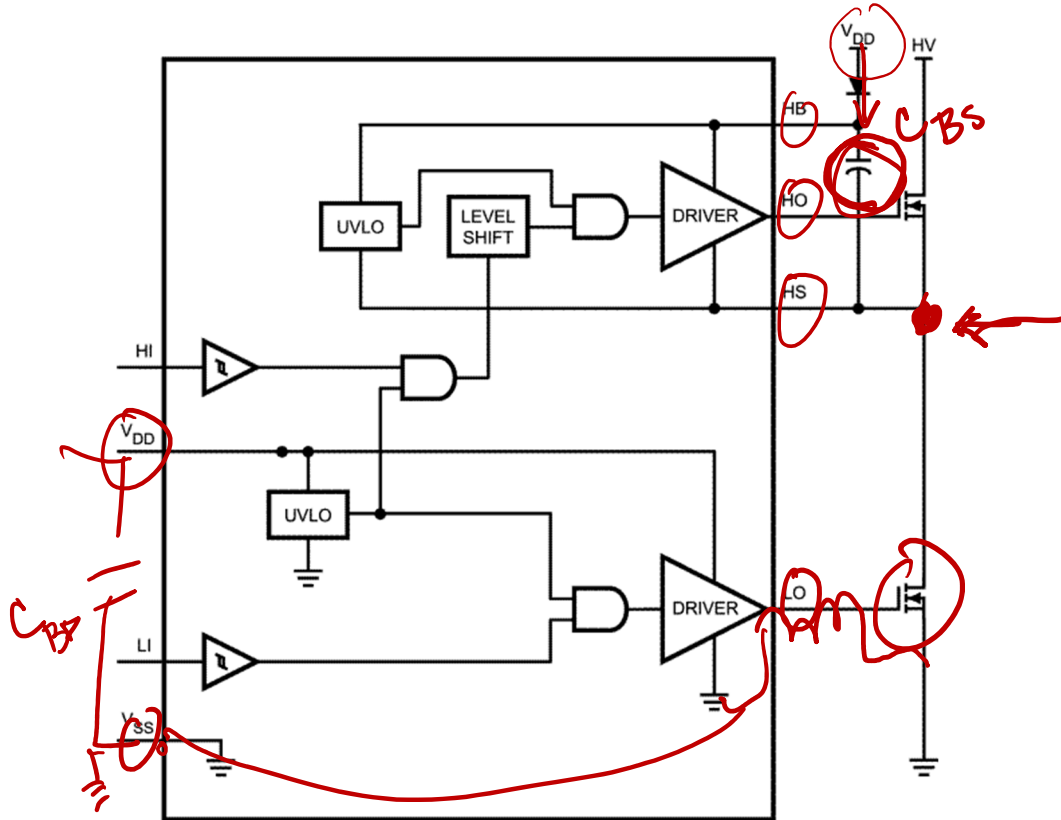
Inductor Air Gap



$$\underline{\underline{L}} \approx \underline{\underline{L_{ideal}}} \left(1 + \frac{l_g}{\sqrt{A_c}} \ln \left(\frac{2W}{l_g} \right) \right)$$

↓
Fringe Factor

Power Stage



Some Test Circuits

