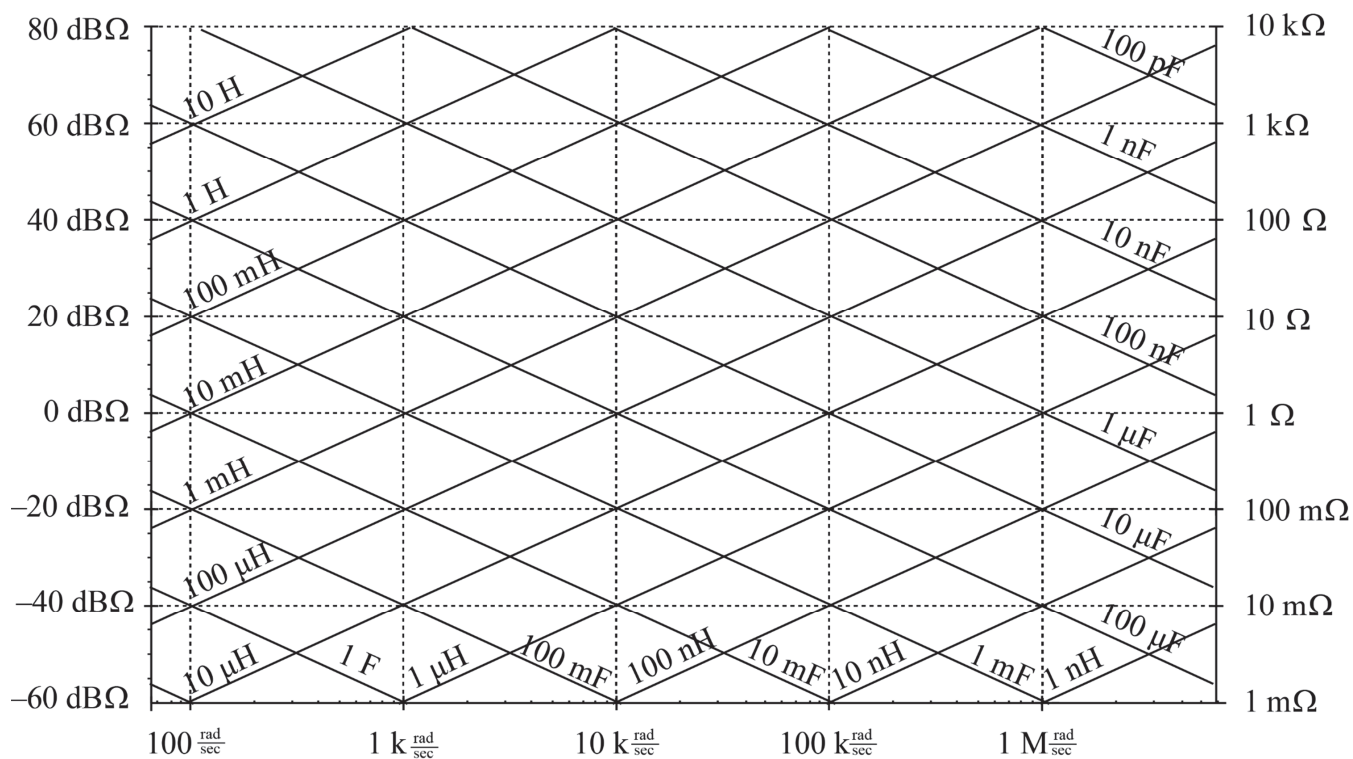
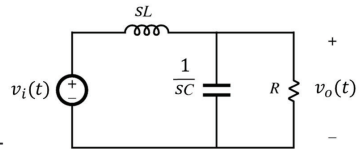
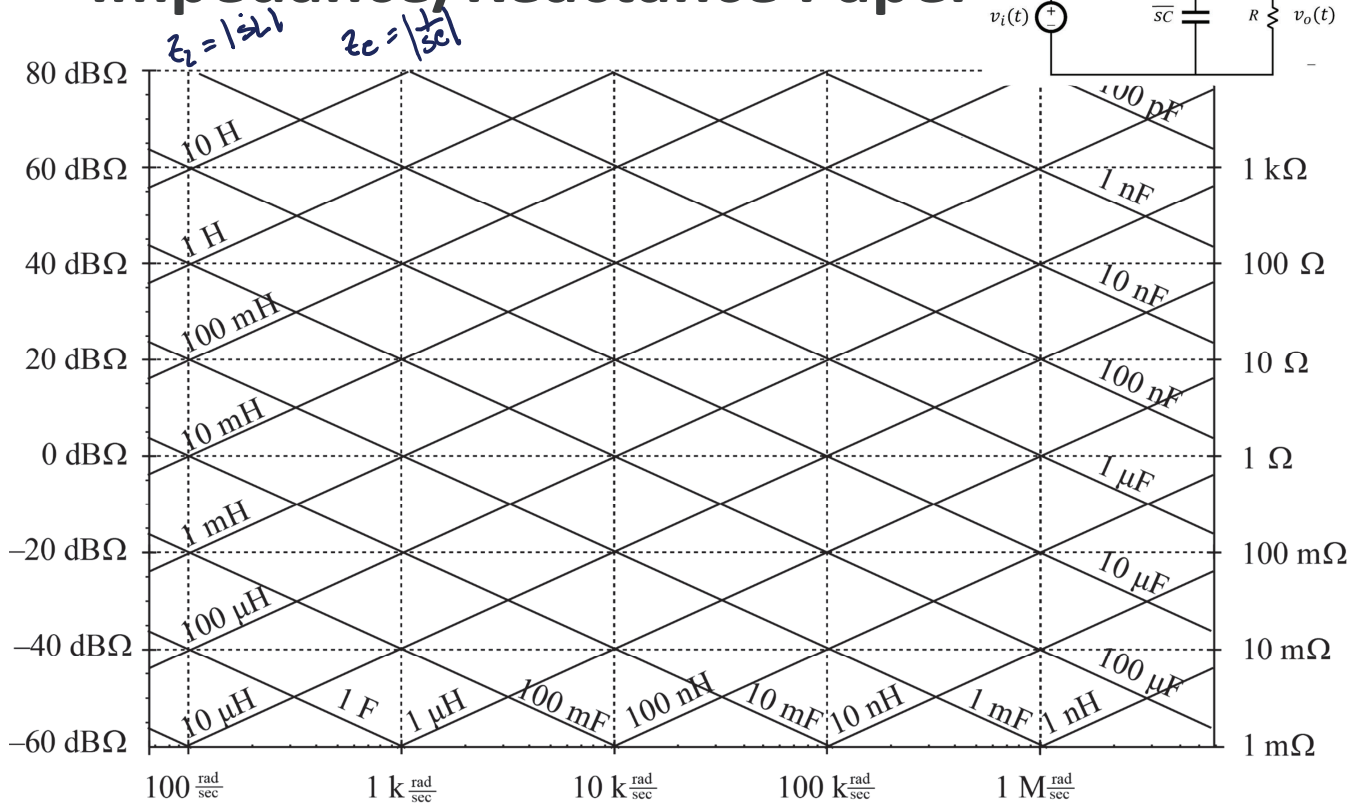


# Approximate Graphical Analysis

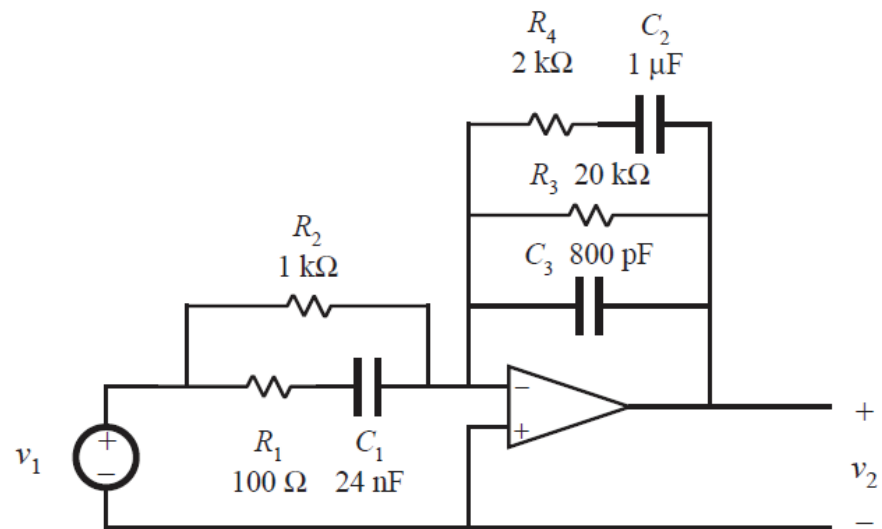
## Resonance



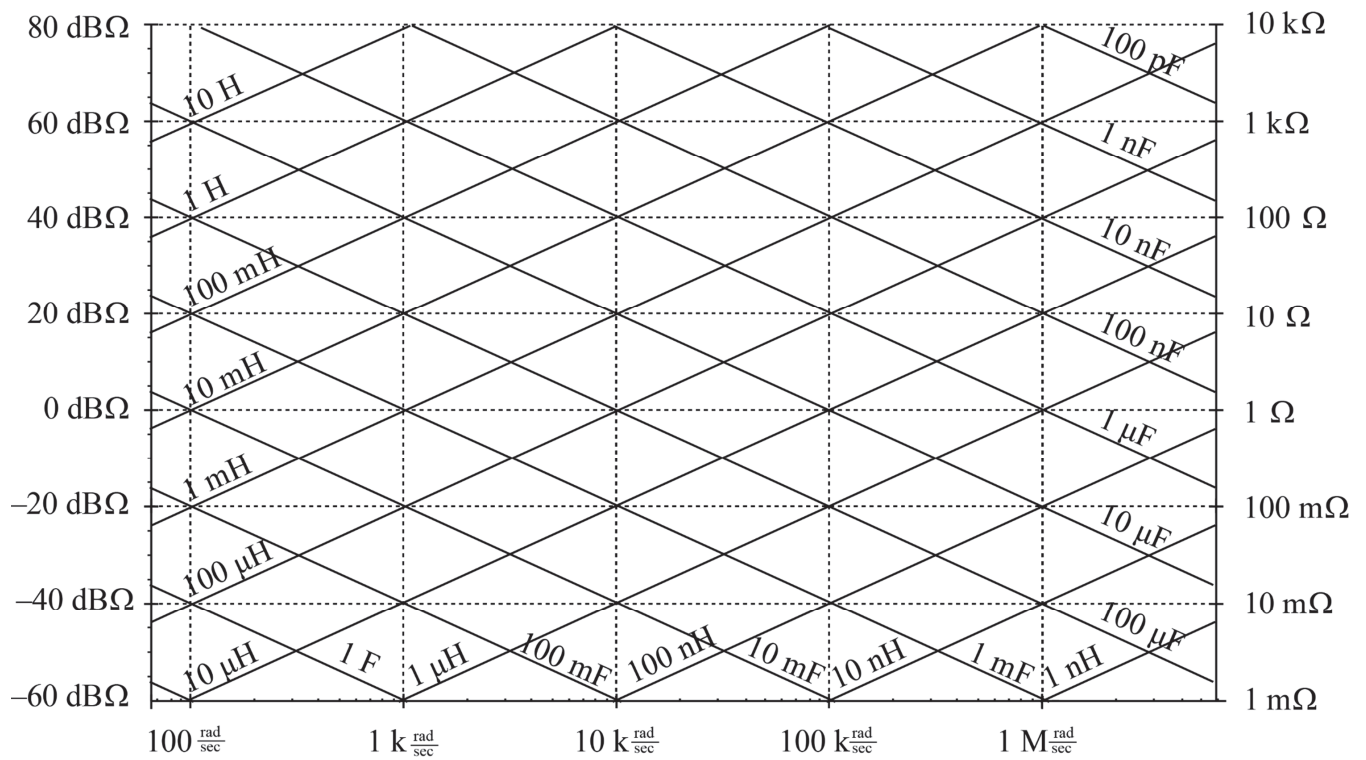
# Impedance/Reactance Paper



## Graphical Analysis



# Impedance/Reactance Paper



## Transfer Function Synthesis

# Scaling