

# LM5121 Wide Input Synchronous Boost Controller with Disconnection Switch Control

## 1 Features

- AEC-Q100 Grade 1 ( $T_A = -40^{\circ}\text{C}$  to  $125^{\circ}\text{C}$ )
- Maximum Input Voltage: 65 V
- Min Input Voltage: 3.0 V (4.5 V for startup)
- Output Voltage Up to 100 V
- Bypass ( $V_{OUT} = V_{IN}$ ) Operation
- 1.2-V Reference with  $\pm 1.0\%$  Accuracy
- Free-Run/Synchronizable up to 1 MHz
- Peak Current Mode Control
- Robust Integrated 3-A Gate Drivers
- Adaptive Dead-Time Control
- Optional Diode Emulation Mode
- Programmable Cycle-by-Cycle Current Limit
- Programmable Line UVLO
- Programmable Soft-Start
- Thermal Shutdown Protection
- Low Shutdown Quiescent Current: 9  $\mu\text{A}$
- Programmable Slope Compensation
- Programmable Skip Cycle Mode Reduces Standby Power
- Supports External VCC Bias Supply Option
- Load Disconnection in Shutdown Mode (True Shutdown)
- Inrush Current Limiting
- Hiccup Mode Short Circuit/Overload Protection
- Circuit Breaker Function
- Capable of Input Transient Suppression
- Capable of Reverse Battery Protection
- Thermally Enhanced 20-Pin HTSSOP

## 2 Applications

- 12-V, 24-V, and 48-V Power Systems
- Automotive Start-Stop
- High Current Boost Power Supply
- Battery Powered System

## 3 Description

The LM5121 is a synchronous boost controller intended for high-efficiency, high-power boost regulator applications. The control method is based upon peak current mode control. Current mode control provides inherent line feed-forward, cycle-by-cycle current limiting and ease of loop compensation.

The switching frequency is programmable up to 1 MHz. Higher efficiency is achieved using two robust N-channel MOSFET gate drivers with adaptive dead-time control. A user-selectable diode emulation mode enables discontinuous mode operation for improved efficiency at light load conditions.

The LM5121 provides disconnection switch control which completely disconnects the output from the input during an output short or a shutdown condition. During start-up sequence, inrush current is limited by the disconnection switch control.

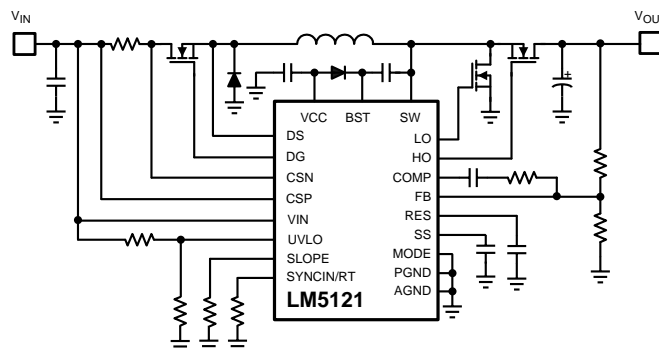
An internal charge pump allows 100% duty cycle operation of the high-side synchronous switch (Bypass operation). Additional features include thermal shutdown, frequency synchronization, hiccup mode current limit and adjustable line undervoltage lockout.

### Device Information<sup>(1)</sup>

PART NUMBER	PACKAGE	BODY SIZE (NOM)
LM5121	HTSSOP (20)	6.50 mm x 4.40 mm
LM5121-Q1		

(1) For all available packages, see the orderable addendum at the end of the datasheet.

### Simplified Application Diagram



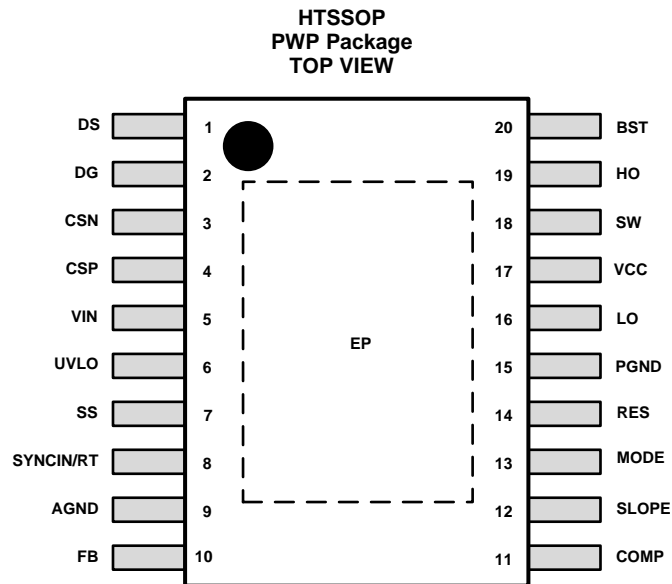
## Table of Contents

<b>1 Features</b> .....	<b>1</b>	7.3 Feature Description.....	<b>13</b>
<b>2 Applications</b> .....	<b>1</b>	7.4 Device Functional Modes.....	<b>21</b>
<b>3 Description</b> .....	<b>1</b>	<b>8 Application and Implementation</b> .....	<b>24</b>
<b>4 Revision History</b> .....	<b>2</b>	8.1 Application Information.....	<b>24</b>
<b>5 Pin Configuration and Functions</b> .....	<b>3</b>	8.2 Typical Application .....	<b>32</b>
<b>6 Specifications</b> .....	<b>4</b>	<b>9 Power Supply Recommendations</b> .....	<b>40</b>
6.1 Absolute Maximum Ratings .....	<b>4</b>	<b>10 Layout</b> .....	<b>40</b>
6.2 Handling Ratings: LM5121.....	<b>5</b>	10.1 Layout Guidelines .....	<b>40</b>
6.3 Handling Ratings: LM5121-Q1.....	<b>5</b>	10.2 Layout Example .....	<b>40</b>
6.4 Recommended Operating Conditions.....	<b>5</b>	<b>11 Device and Documentation Support</b> .....	<b>41</b>
6.5 Thermal Information .....	<b>5</b>	11.1 Related Links .....	<b>41</b>
6.6 Electrical Characteristics.....	<b>6</b>	11.2 Trademarks .....	<b>41</b>
6.7 Typical Characteristics.....	<b>9</b>	11.3 Electrostatic Discharge Caution.....	<b>41</b>
<b>7 Detailed Description</b> .....	<b>12</b>	11.4 Glossary .....	<b>41</b>
7.1 Overview .....	<b>12</b>	<b>12 Mechanical, Packaging, and Orderable Information</b> .....	<b>41</b>
7.2 Functional Block Diagram .....	<b>12</b>		

## 4 Revision History

<b>Changes from Revision A (September 2013) to Revision B</b>	<b>Page</b>
<ul style="list-style-type: none"> <li>Added <i>Pin Configuration and Functions</i> section, <i>Handling Rating</i> table, <i>Feature Description</i> section, <i>Device Functional Modes</i>, <i>Application and Implementation</i> section, <i>Power Supply Recommendations</i> section, <i>Layout</i> section, <i>Device and Documentation Support</i> section, and <i>Mechanical, Packaging, and Orderable Information</i> section .....</li> </ul>	<b>1</b>

## 5 Pin Configuration and Functions



**Pin Functions**

PIN		I/O <sup>(1)</sup>	DESCRIPTION
NAME	NO.		
AGND	9	G	Analog ground connection. Return for the internal voltage reference and analog circuits.
BST	20	P/I	High-side driver supply for bootstrap gate drive. Connect to the cathode of the external bootstrap diode and to the bootstrap capacitor. The bootstrap capacitor supplies current to charge the high-side N-channel MOSFET gate and should be placed as close to controller as possible. An internal BST charge pump will supply 200 $\mu$ A current into bootstrap capacitor for bypass operation.
COMP	11	O	Output of the internal error amplifier. The loop compensation network should be connected between this pin and the FB pin.
CSN	3	I	Inverting input of current sense amplifier. Connect to the negative-side of the current sense resistor.
CSP	4	I	Non-inverting input of current sense amplifier. Connect to the positive-side of the current sense resistor.
DG	2	O	Disconnection switch control pin. Connect to the gate terminal of the N-channel MOSFET disconnection switch.
DS	1	I/O	Source connection of N-channel MOSFET disconnection switch. Connect to the source terminal of the disconnection switch, the cathode terminal of the freewheeling diode and the supply input of boost inductor.
EP	EP	N/A	Exposed pad of the package. No internal electrical connections. Should be soldered to the large ground plane to reduce thermal resistance.
FB	10	I	Feedback. Inverting input of the internal error amplifier. A resistor divider from the output to this pin sets the output voltage level. The regulation threshold at the FB pin is 1.2 V.
HO	19	O	High-side N-channel MOSFET gate drive output. Connect to the gate of the high-side synchronous N-channel MOSFET switch through a short, low inductance path.
LO	16	O	Low-side N-channel MOSFET gate drive output. Connect to the gate of the low-side N-channel MOSFET switch through a short, low inductance path.
MODE	13	I	Switching mode selection pin. Internal 700 k $\Omega$ pull-up and 100 k $\Omega$ pull-down resistor hold MODE pin to 0.15 V as a default. By adding external pull-up or pull-down resistor, MODE pin voltage can be programmed. When MODE pin voltage is greater than 1.2 V, diode emulation mode threshold, forced PWM mode is enabled, allowing current to flow in either direction through the high-side N-channel MOSFET switch. When MODE pin voltage is less than 1.2 V, the controller works in diode emulation mode. Skip cycle comparator is activated as a default condition when the MODE pin is left floating. If the MODE pin is grounded, the controller still operates in diode emulation mode, but the skip cycle comparator will not be triggered in normal operation, this enables pulse skipping operation at light load.

(1) G = Ground, I = Input, O = Output, P = Power

**Pin Functions (continued)**

PIN		I/O <sup>(1)</sup>	DESCRIPTION
NAME	NO.		
PGND	15	G	Power ground connection pin for low-side N-channel MOSFET gate driver. Connect directly to the source terminal of the low-side N-channel MOSFET switch.
RES	14	O	The restart timer pin for an external capacitor that configures hiccup mode off-time and restart delay during over load conditions and hiccup mode short circuit protection. Connect directly to the AGND when hiccup mode operation is not required.
SLOPE	12	I	Slope compensation is programmed by an external resistor between SLOPE and the AGND.
SS	7	I	Soft-start programming pin. An external capacitor and an internal 10 $\mu$ A current source set the ramp rate of the internal error amplifier reference during soft-start.
SW	18	I/O	Switching node of the boost regulator. Connect to the bootstrap capacitor, the source terminal of the high-side N-channel MOSFET switch and the drain terminal of the low-side N-channel MOSFET switch through short, low inductance paths.
SYNCIN/RT	8	I	The internal oscillator frequency is programmed by an external resistor between RT and the AGND. The internal oscillator can be synchronized to an external clock by applying a positive pulse signal into this pin. The recommended maximum internal oscillator frequency is 2 MHz which leads to 1 MHz maximum switching frequency.
UVLO	6	I	Undervoltage lockout programming pin. If the UVLO pin is below 0.4 V, the regulator is in the shutdown mode with all functions disabled. If the UVLO pin voltage is greater than 0.4 V and below 1.2 V, the regulator is in standby mode with the VCC regulator operational and no switching at the HO and LO outputs. If the UVLO pin voltage is above 1.2 V, the startup sequence begins. A 10 $\mu$ A current source at UVLO pin is enabled when UVLO exceeds 1.2 V and flows through the external UVLO resistors to provide hysteresis. The UVLO pin should not be left floating.
VCC	17	P/O/I	VCC bias supply pin. Locally decouple to PGND using a low ESR/ESL capacitor located as close to controller as possible.
VIN	5	P/I	Supply voltage input source for the VCC regulator. Connect to the input capacitor and source power supply connection with short, low impedance paths.

## 6 Specifications

### 6.1 Absolute Maximum Ratings<sup>(1)</sup>

Over operating free-air temperature range (unless otherwise noted)

		MIN	MAX	UNIT
Input	VIN, CSP, CSN	-0.3	75	V
	BST to SW, FB, MODE, UVLO, VCC <sup>(2)</sup>	-0.3	15	
	SW	-5.0	105	
	BST	-0.3	115	
	SS, SLOPE, SYNCIN/RT	-0.3	7	
	CSP to CSN, PGND	-0.3	0.3	
Output <sup>(3)</sup>	DG to DS	-3.0	18	
	DG to VIN	-75	15	
	DS	-3.0	75	
	HO to SW	-0.3	BST to SW+0.3	
	LO	-0.3	VCC+0.3	
	COMP, RES	-0.3	7	
Thermal	Junction Temperature	-40	150	°C

(1) Stresses beyond those listed under *Absolute Maximum Ratings* may cause permanent damage to the device. These are stress ratings only and functional operation of the device at these or any other conditions beyond those indicated under *Recommended Operating Conditions* are not implied. Exposure to absolute-maximum-rated conditions for extended periods may affect device reliability. Unless otherwise specified, all voltages are referenced to AGND pin.

(2) See Application Information when input supply voltage is less than the VCC voltage.

(3) All output pins are not specified to have an external voltage applied.

## 6.2 Handling Ratings: LM5121

		MIN	MAX	UNIT
T <sub>stg</sub>	Storage temperature range	-55	150	°C
V <sub>(ESD)</sub>	Electrostatic discharge	Human body model (HBM), per JESD22-A114		kV
		Charged device model (CDM), per JESD22-C101		

## 6.3 Handling Ratings: LM5121-Q1

		MIN	MAX	UNIT		
T <sub>stg</sub>	Storage temperature range	-55	150	°C		
V <sub>(ESD)</sub>	Electrostatic discharge	Human body model (HBM), per AEC Q100-002 <sup>(1)</sup>		kV		
		Charged device model (CDM), per AEC Q100-011	Corner pins (1, 10, 11, and 20)		-1	1
			Other pins		-1	1

(1) AEC Q100-002 indicates HBM stressing is done in accordance with the ANSI/ESDA/JEDEC JS-001 specification.

## 6.4 Recommended Operating Conditions<sup>(1)</sup>

Over operating free-air temperature range (unless otherwise noted)

		MIN	NOM	MAX	UNIT
Input supply voltage <sup>(2)</sup>	V <sub>IN</sub>	4.5		65	V
Disconnection switch voltage <sup>(2)</sup>	DG, DS	3.0		65	
Low-side driver bias voltage	VCC			14	
High-side driver bias voltage	BST to SW	3.8		14	
Current sense common mode range <sup>(2)</sup>	CSP, CSN	3.0		65	
Switch node voltage	SW			100	
Junction temperature	T <sub>J</sub>	-40		125	°C

(1) *Recommended Operating Conditions* are conditions under which operation of the device is intended to be functional, but does not guarantee specific performance limits.

(2) Minimum V<sub>IN</sub> operating voltage is always 4.5 V. The minimum input power supply voltage can be 3.0 V after start-up, assuming V<sub>IN</sub> voltage is supplied from an available external source.

## 6.5 Thermal Information

THERMAL METRIC <sup>(1)</sup>		LM5121, LM5121-Q1	UNIT
		PWP	
		20 PINS	
R <sub>θJA</sub>	Junction-to-ambient thermal resistance (Typ.)	40	°C/W
R <sub>θJC(bot)</sub>	Junction-to-case (bot) thermal resistance (Typ.)	4	°C/W

(1) For more information about traditional and new thermal metrics, see the *IC Package Thermal Metrics* application report, [SPRA953](#).

## 6.6 Electrical Characteristics

Unless otherwise specified, these specifications apply for  $-40^{\circ}\text{C} \leq T_J \leq +125^{\circ}\text{C}$ ,  $V_{\text{VIN}} = 12\text{ V}$ ,  $V_{\text{VCC}} = 8.3\text{ V}$ ,  $R_T = 20\text{ k}\Omega$ , no load on LO and HO. Typical values represent the most likely parametric norm at  $T_J = 25^{\circ}\text{C}$ , and are provided for reference purposes only.

PARAMETER		TEST CONDITIONS	MIN	TYP	MAX	UNIT
<b>VIN SUPPLY</b>						
$I_{\text{SHUTDOWN}}$	VIN shutdown current	$V_{\text{UVLO}} = 0\text{ V}$		9	17	$\mu\text{A}$
$I_{\text{BIAS}}$	VIN operating current (exclude the current into RT resistor)	$V_{\text{UVLO}} = 2\text{ V}$ , non-switching		4	5	mA
<b>VCC REGULATOR</b>						
$V_{\text{CC(REG)}}$	VCC regulation	No load	6.9	7.6	8.3	V
	VCC dropout (VIN to VCC)	$V_{\text{VIN}} = 4.5\text{ V}$ , no external load			0.25	
		$V_{\text{VIN}} = 4.5\text{ V}$ , $I_{\text{VCC}} = 25\text{ mA}$		0.28	0.5	
	VCC sourcing current limit	$V_{\text{VCC}} = 0\text{ V}$	50	62		mA
$I_{\text{VCC}}$	VCC operating current (exclude the current into RT resistor)	$V_{\text{VCC}} = 8.3\text{ V}$		3.5	5	
		$V_{\text{VCC}} = 12\text{ V}$		4.5	8	
	VCC undervoltage threshold	VCC rising, $V_{\text{VIN}} = 4.5\text{ V}$	3.9	4.0	4.1	V
		VCC falling, $V_{\text{VIN}} = 4.5\text{ V}$			3.7	
	VCC undervoltage hysteresis			0.385		
<b>UNDERVOLTAGE LOCKOUT</b>						
	UVLO threshold	UVLO rising	1.17	1.20	1.23	V
	UVLO hysteresis current	$V_{\text{UVLO}} = 1.4\text{ V}$	7	10	13	$\mu\text{A}$
	UVLO standby threshold	UVLO rising	0.3	0.4	0.5	V
	UVLO standby hysteresis			0.1	0.125	
<b>MODE</b>						
	Diode emulation mode threshold	MODE rising	1.20	1.24	1.28	V
	Diode emulation mode hysteresis			0.1		
	Default MODE voltage		145	155	170	mV
	Default skip cycle threshold	COMP rising, measured at COMP		1.290		V
		COMP falling, measured at COMP		1.245		
	Skip cycle hysteresis	Measured at COMP		40		mV
<b>ERROR AMPLIFIER</b>						
$V_{\text{REF}}$	FB reference voltage	Measured at FB, $V_{\text{FB}} = V_{\text{COMP}}$	1.188	1.200	1.212	V
	FB input bias current	$V_{\text{FB}} = V_{\text{REF}}$		5		nA
$V_{\text{OH}}$	COMP output high voltage	$I_{\text{SOURCE}} = 2\text{ mA}$ , $V_{\text{VCC}} = 4.5\text{ V}$	2.75			V
		$I_{\text{SOURCE}} = 2\text{ mA}$ , $V_{\text{VCC}} = 12\text{ V}$	3.40			
$V_{\text{OL}}$	COMP output low voltage	$I_{\text{SINK}} = 2\text{ mA}$			0.25	
$A_{\text{OL}}$	DC gain			80		dB
$f_{\text{BW}}$	Unity gain bandwidth			3		MHz
<b>OSCILLATOR</b>						
$f_{\text{SW1}}$	Switching frequency 1	$R_T = 20\text{ k}\Omega$	400	450	500	kHz
$f_{\text{SW2}}$	Switching frequency 2	$R_T = 10\text{ k}\Omega$	775	875	975	
	RT output voltage			1.2		V
	RT sync rising threshold	RT rising		2.5	2.9	
	RT sync falling threshold	RT falling	1.6	2.0		
	Minimum sync pulse width		100			ns
<b>DISCONNECTION SWITCH CONTROL</b>						
$I_{\text{DIS-SOURCE}}$	DG current source	UVLO = 2 V, Sourcing		25		$\mu\text{A}$
$I_{\text{DIS-SINK}}$	DG current sink	Inrush Control, Sinking		67		

## Electrical Characteristics (continued)

Unless otherwise specified, these specifications apply for  $-40^{\circ}\text{C} \leq T_J \leq +125^{\circ}\text{C}$ ,  $V_{VIN} = 12\text{ V}$ ,  $V_{VCC} = 8.3\text{ V}$ ,  $R_T = 20\text{ k}\Omega$ , no load on LO and HO. Typical values represent the most likely parametric norm at  $T_J = 25^{\circ}\text{C}$ , and are provided for reference purposes only.

PARAMETER		TEST CONDITIONS	MIN	TYP	MAX	UNIT
	DG discharge switch $R_{DS-ON}$	Circuit Breaker		38		$\Omega$
	DG charge pump regulation	DG to VIN, No load, $V_{VIN} = 4.5\text{ V}$	9.5	10.5	11.5	V
		DG to VIN, No load, $V_{VIN} = 12\text{ V}$			12.5	
$V_{GS-DET}$	$V_{GS}$ detection threshold	DG to DS, Rising, $V_{VIN} = 12\text{ V}$	4.0	5.4	6.5	V
	$V_{GS}$ detection hysteresis			0.2		
	Transconductance gain	CSP to CSN to $I_{DG}$		12		$\mu\text{A}/\text{mV}$
<b>SLOPE COMPENSATION</b>						
	SLOPE output voltage		1.17	1.20	1.23	V
$V_{SLOPE}$	Slope compensation amplitude	$R_{SLOPE} = 20\text{ k}\Omega$ , $f_{SW} = 100\text{ kHz}$ , 50% duty cycle, $T_J = -40^{\circ}\text{C}$ to $+125^{\circ}\text{C}$	1.375	1.650	1.925	
		$R_{SLOPE} = 20\text{ k}\Omega$ , $f_{SW} = 100\text{ kHz}$ , 50% duty cycle, $T_J = 25^{\circ}\text{C}$	1.400	1.650	1.900	
<b>SOFT-START</b>						
$I_{SS-SOURCE}$	SS current source	$V_{SS} = 0\text{ V}$	7.5	10	12	$\mu\text{A}$
	SS discharge switch $R_{DS-ON}$			13		$\Omega$
<b>PWM COMPARATOR</b>						
$t_{LO-OFF}$	Forced LO off-time	$V_{VCC} = 5.5\text{ V}$		420	550	ns
		$V_{VCC} = 4.5\text{ V}$		360	500	
$t_{ON-MIN}$	Minimum LO on-time	$R_{SLOPE} = 20\text{ k}\Omega$		150		
		$R_{SLOPE} = 200\text{ k}\Omega$		300		
	COMP to PWM voltage drop	$T_J = -40^{\circ}\text{C}$ to $+125^{\circ}\text{C}$	0.95	1.10	1.25	V
		$T_J = 25^{\circ}\text{C}$	1.00	1.10	1.20	
<b>CURRENT SENSE / CYCLE-BY-CYCLE CURRENT LIMIT</b>						
$V_{CS-TH1}$	Cycle-by-cycle current limit threshold	CSP to CSN, $T_J = -40^{\circ}\text{C}$ to $+125^{\circ}\text{C}$	65.5	75.0	87.5	mV
		CSP to CSN, $T_J = 25^{\circ}\text{C}$	67.0	75.0	86.0	
		$V_{CS-TH2} - V_{CS-TH1}$	5			
$V_{CS-TH2}$	Inrush current limit threshold	CSP to CSN	80	110	133	
$V_{CS-TH3}$	Circuit breaker enable threshold	CSP to CSN, Rising	143	160	170	
		$V_{CS-TH3} - V_{CS-TH2}$	20			
$V_{CS-TH4}$	Circuit breaker disable threshold	CSP to CSN, Falling	4.0	11.5	16.0	
$V_{CS-ZCD}$	Zero cross detection threshold	CSP to CSN, Rising		7		
		CSP to CSN, Falling	0.3	6	12	
	Current sense amplifier gain			10		V/V
$I_{CSP}$	CSP input bias current			12		$\mu\text{A}$
$I_{CSN}$	CSN input bias current			11		
	Bias current matching	$I_{CSP}$ to $I_{CSN}$	-1.75	1	3.75	
	CS to LO delay	Current sense / current limit delay		150		ns
<b>HICCUP MODE RESTART</b>						
$V_{RES}$	Restart threshold	RES rising	1.15	1.20	1.25	V
$V_{HCP-UPPER}$	Hiccup counter upper threshold	RES rising		4.2		
		RES rising, $V_{VIN} = V_{VCC} = 4.5\text{ V}$		3.6		
$V_{HCP-LOWER}$	Hiccup counter lower threshold	RES falling		2.15		
		RES falling, $V_{VIN} = V_{VCC} = 4.5\text{ V}$		1.85		

## Electrical Characteristics (continued)

Unless otherwise specified, these specifications apply for  $-40^{\circ}\text{C} \leq T_J \leq +125^{\circ}\text{C}$ ,  $V_{\text{VIN}} = 12\text{ V}$ ,  $V_{\text{VCC}} = 8.3\text{ V}$ ,  $R_T = 20\text{ k}\Omega$ , no load on LO and HO. Typical values represent the most likely parametric norm at  $T_J = 25^{\circ}\text{C}$ , and are provided for reference purposes only.

PARAMETER		TEST CONDITIONS	MIN	TYP	MAX	UNIT
$I_{\text{RES-SOURCE1}}$	RES current source1	Fault-state charging current	20	30	40	$\mu\text{A}$
$I_{\text{RES-SINK1}}$	RES current sink1	Normal-state discharging current		5		
$I_{\text{RES-SOURCE2}}$	RES current source2	Hiccup mode off-time charging current		10		
$I_{\text{RES-SINK2}}$	RES current sink2	Hiccup mode off-time discharging current		5		
	Hiccup cycle			8		Cycles
	RES discharge switch $R_{\text{DS-ON}}$			40		$\Omega$
	Ratio of hiccup mode off-time to restart delay time			122		
<b>HO GATE DRIVER</b>						
$V_{\text{OHH}}$	HO high-state voltage drop	$I_{\text{HO}} = -100\text{ mA}$ , $V_{\text{OHH}} = V_{\text{BST}} - V_{\text{HO}}$		0.15	0.24	V
$V_{\text{OLH}}$	HO low-state voltage drop	$I_{\text{HO}} = 100\text{ mA}$ , $V_{\text{OLH}} = V_{\text{HO}} - V_{\text{SW}}$		0.1	0.18	V
	HO rise time (10% to 90%)	$C_{\text{LOAD}} = 4700\text{ pF}$ , $V_{\text{BST}} = 12\text{ V}$		25		ns
	HO fall time (90% to 10%)	$C_{\text{LOAD}} = 4700\text{ pF}$ , $V_{\text{BST}} = 12\text{ V}$		20		
$I_{\text{OHH}}$	Peak HO source current	$V_{\text{HO}} = 0\text{ V}$ , $V_{\text{SW}} = 0\text{ V}$ , $V_{\text{BST}} = 4.5\text{ V}$		0.8		A
		$V_{\text{HO}} = 0\text{ V}$ , $V_{\text{SW}} = 0\text{ V}$ , $V_{\text{BST}} = 7.6\text{ V}$		1.9		
$I_{\text{OLH}}$	Peak HO sink current	$V_{\text{HO}} = V_{\text{BST}} = 4.5\text{ V}$		1.9		
		$V_{\text{HO}} = V_{\text{BST}} = 7.6\text{ V}$		3.2		
$I_{\text{BST}}$	BST charge pump sourcing current	$V_{\text{VIN}} = V_{\text{SW}} = 9.0\text{ V}$ , $V_{\text{BST}} - V_{\text{SW}} = 5.0\text{ V}$	90	200		$\mu\text{A}$
	BST charge pump regulation	BST to SW, $I_{\text{BST}} = -70\text{ }\mu\text{A}$ , $V_{\text{VIN}} = V_{\text{SW}} = 9.0\text{ V}$	5.3	6.2	6.75	V
		BST to SW, $I_{\text{BST}} = -70\text{ }\mu\text{A}$ , $V_{\text{VIN}} = V_{\text{SW}} = 12\text{ V}$	7	8.5	9	
	BST to SW undervoltage		2.0	3.0	3.5	
	BST DC bias current	$V_{\text{BST}} - V_{\text{SW}} = 12\text{ V}$ , $V_{\text{SW}} = 0\text{ V}$		30	45	$\mu\text{A}$
<b>LO GATE DRIVER</b>						
$V_{\text{OHL}}$	LO high-state voltage drop	$I_{\text{LO}} = -100\text{ mA}$ , $V_{\text{OHL}} = V_{\text{VCC}} - V_{\text{LO}}$		0.15	0.25	V
$V_{\text{OLL}}$	LO low-state voltage drop	$I_{\text{LO}} = 100\text{ mA}$ , $V_{\text{OLL}} = V_{\text{LO}}$		0.1	0.17	V
	LO rise time (10% to 90%)	$C_{\text{LOAD}} = 4700\text{ pF}$		25		ns
	LO fall time (90% to 10%)	$C_{\text{LOAD}} = 4700\text{ pF}$		20		
$I_{\text{OHL}}$	Peak LO source current	$V_{\text{LO}} = 0\text{ V}$ , $V_{\text{VCC}} = 4.5\text{ V}$		0.8		A
		$V_{\text{LO}} = 0\text{ V}$		2.0		
$I_{\text{OLL}}$	Peak LO sink current	$V_{\text{LO}} = V_{\text{VCC}} = 4.5\text{ V}$		1.8		
		$V_{\text{LO}} = V_{\text{VCC}}$		3.2		
<b>SWITCHING CHARACTERISTICS</b>						
$t_{\text{DLH}}$	LO fall to HO rise delay	No load, 50% to 50%	50	80	115	ns
$t_{\text{DHL}}$	HO fall to LO rise delay	No load, 50% to 50%	60	80	105	
<b>THERMAL</b>						
$T_{\text{SD}}$	Thermal shutdown	Temperature rising		165		$^{\circ}\text{C}$
	Thermal shutdown hysteresis			25		



## 6.7 Typical Characteristics

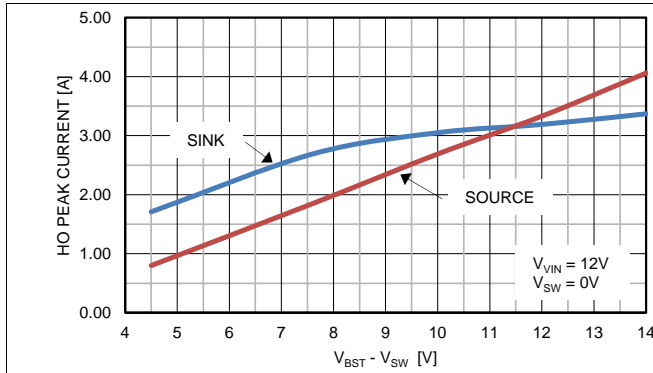


Figure 1. HO Peak Current vs  $V_{BST} - V_{SW}$

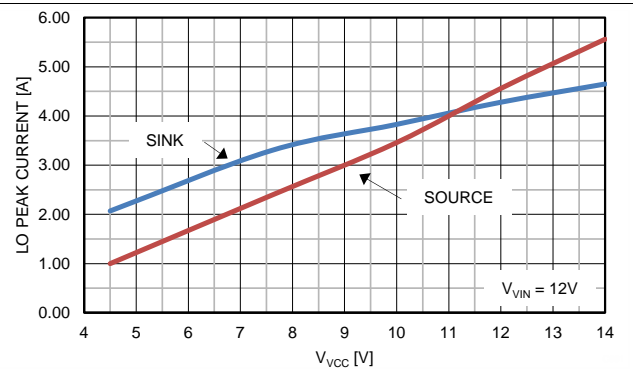


Figure 2. LO Peak Current vs  $V_{VCC}$

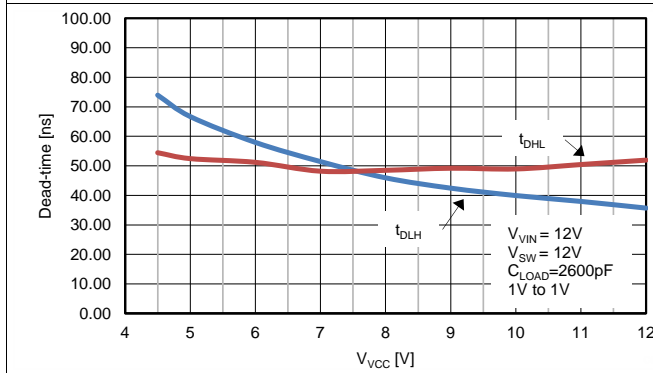


Figure 3. Dead Time vs  $V_{VCC}$

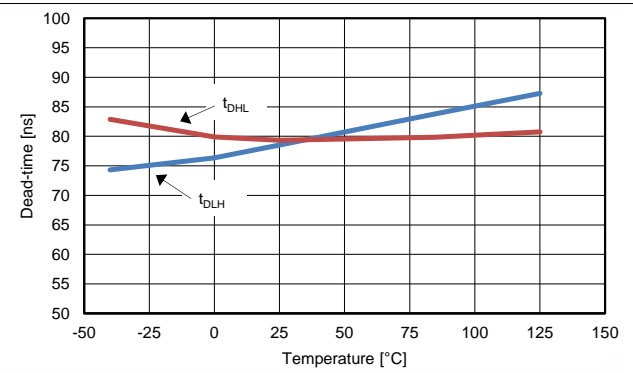


Figure 4. Dead Time vs Temperature

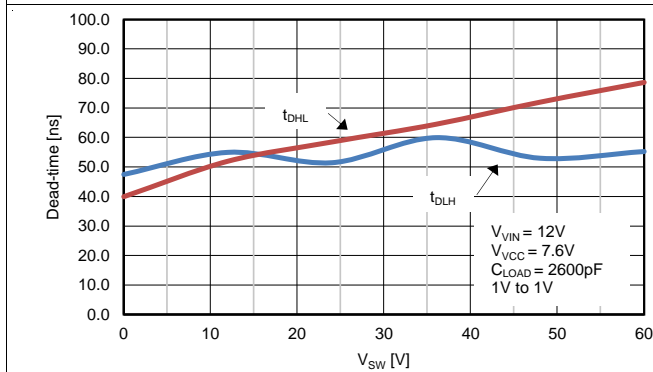


Figure 5. Dead Time vs  $V_{SW}$

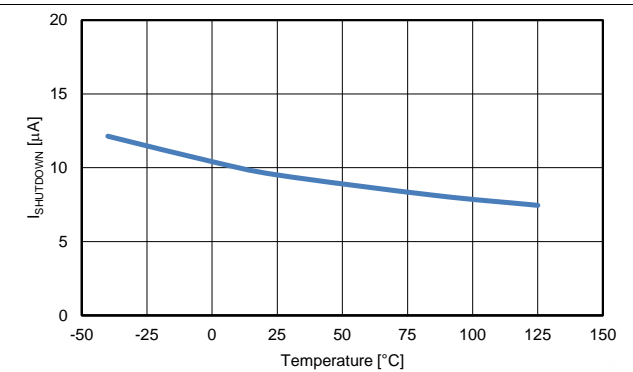


Figure 6.  $I_{SHUTDOWN}$  vs Temperature

Typical Characteristics (continued)

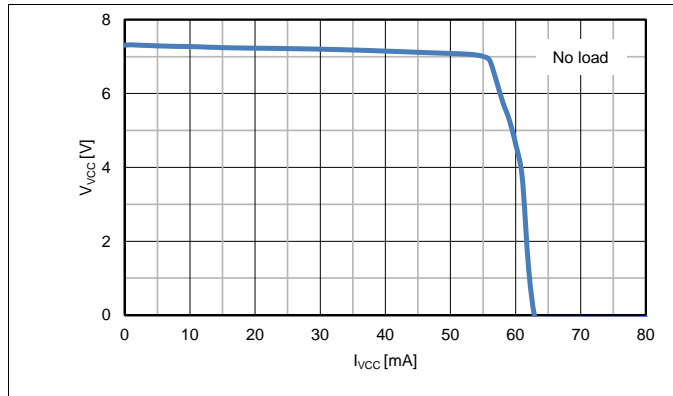


Figure 7.  $V_{VCC}$  vs  $I_{VCC}$

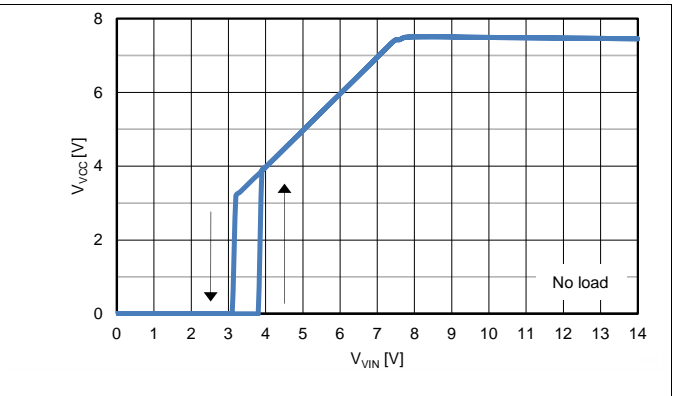


Figure 8.  $V_{VCC}$  vs  $V_{VIN}$

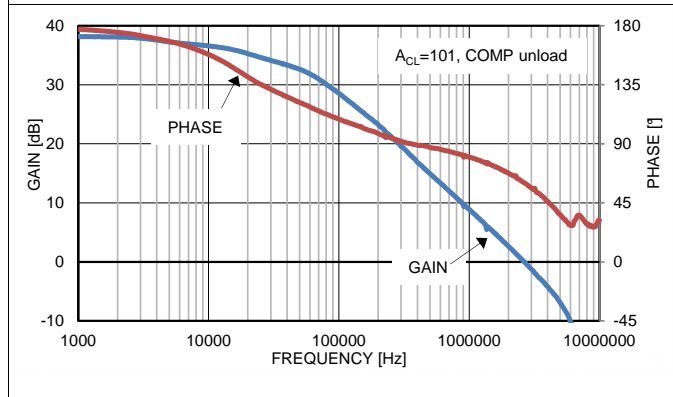


Figure 9. Error Amp Gain and Phase vs Frequency

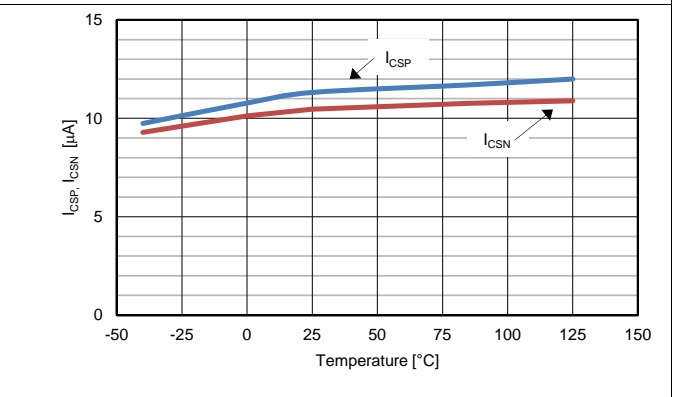


Figure 10.  $I_{CSP}$ ,  $I_{CSN}$  vs Temperature

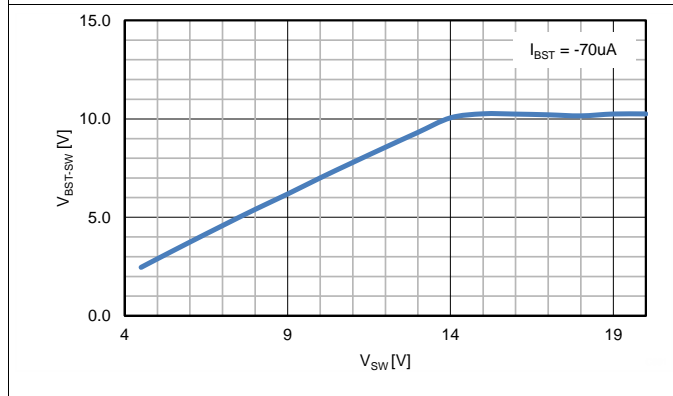


Figure 11.  $V_{BST-sw}$  vs  $V_{SW}$

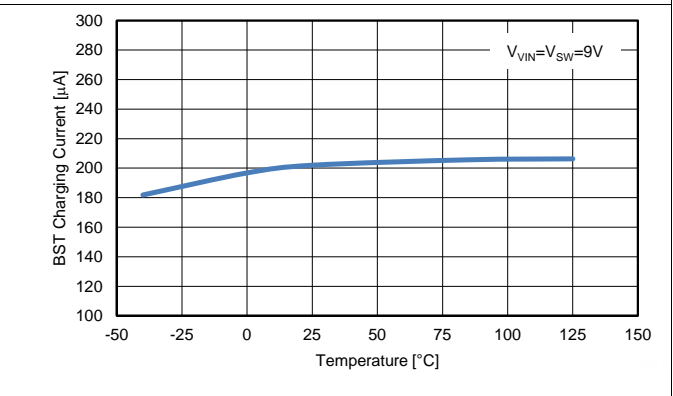


Figure 12.  $I_{BST}$  vs Temperature

Typical Characteristics (continued)

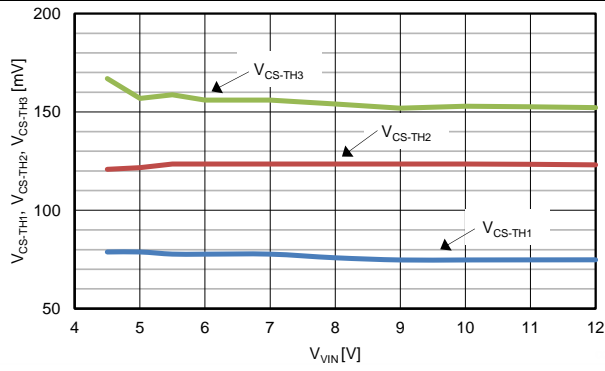


Figure 13.  $V_{CS-TH1}$ ,  $V_{CS-TH2}$ ,  $V_{CS-TH3}$  vs  $V_{VIN}$

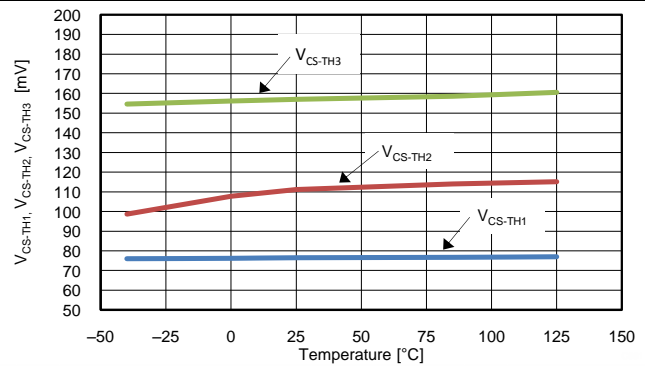


Figure 14.  $V_{CS-TH1}$ ,  $V_{CS-TH2}$ ,  $V_{CS-TH3}$  vs Temperature

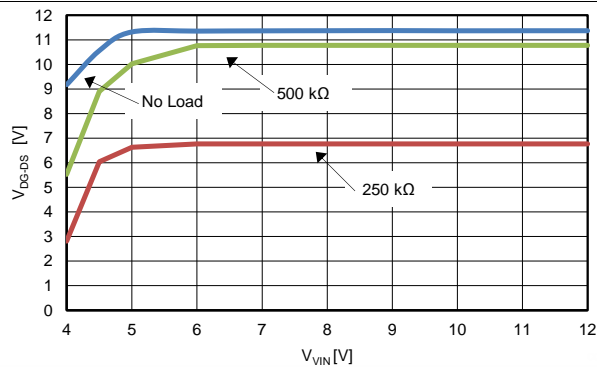


Figure 15.  $V_{DG-DS}$  vs  $V_{VIN}$

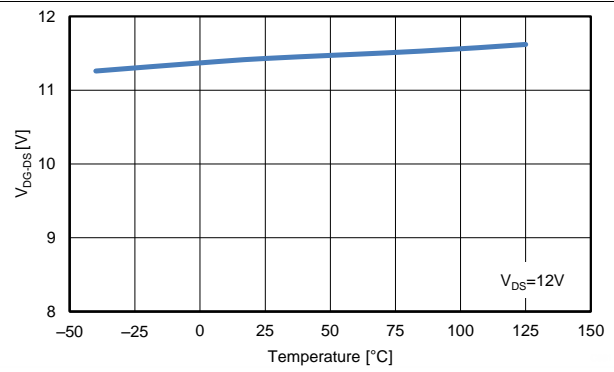


Figure 16.  $V_{DG-DS}$  vs Temperature

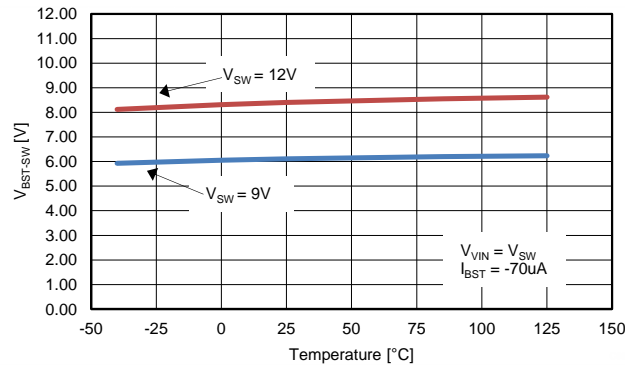


Figure 17.  $V_{BST-SW}$  vs Temperature



## 7.3 Feature Description

### 7.3.1 Undervoltage Lockout (UVLO)

The LM5121 features a dual level UVLO circuit. When the UVLO pin voltage is less than the 0.4-V UVLO standby threshold, the LM5121 is in the shutdown mode with all functions disabled. The shutdown comparator provides 0.1 V of hysteresis to avoid chatter during transitions. If the UVLO pin voltage is greater than 0.4 V and below 1.2 V during power up, the controller is in the standby mode with the VCC regulator operational, the disconnection switch disabled and no switching at the HO and LO outputs. This feature allows the UVLO pin to be used as a remote shutdown function by pulling the UVLO pin down below the UVLO standby threshold with an external open collector or open drain device.

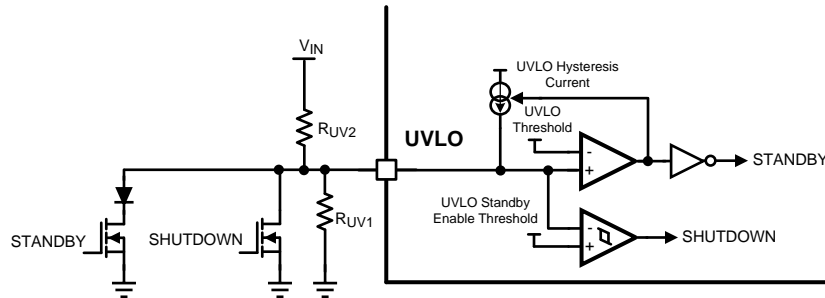


Figure 18. UVLO Remote Standby and Shutdown Control

If the UVLO pin voltage is above 1.2-V UVLO threshold and VCC voltage exceeds the VCC UV threshold, the startup sequence begins. UVLO hysteresis is accomplished with an internal 10- $\mu$ A current source that is switched on or off into the impedance of the UVLO setpoint divider. When the UVLO pin voltage exceeds the 1.2 V, the current source is enabled to quickly raise the voltage at the UVLO pin. When the UVLO pin voltage falls below the 1.2-V UVLO threshold, the current source is disabled causing the voltage at the UVLO pin to quickly fall. In addition to the UVLO hysteresis current source, a 5- $\mu$ s deglitch filter on both rising and falling edge of UVLO toggling helps preventing chatter during power up or down.

An external UVLO setpoint voltage divider from the supply voltage to AGND is used to set the minimum input operating voltage of the regulator. The divider must be designed such that the voltage at the UVLO pin is greater than 1.2 V when the input voltage is in the desired operating range. The maximum voltage rating of the UVLO pin is 16 V. If necessary, the UVLO pin can be clamped with an external zener diode. The UVLO pin should not be left floating. The values of  $R_{UV1}$  and  $R_{UV2}$  can be determined from Equation 1 and Equation 2.

$$R_{UV2} = \frac{V_{HYS}}{10\mu A} [\Omega] \quad (1)$$

$$R_{UV1} = \frac{1.2V \times R_{UV2}}{V_{IN(STARTUP)} - 1.2V} [\Omega]$$

where

- $V_{HYS}$  is the desired UVLO hysteresis
- $V_{IN(STARTUP)}$  is the desired startup voltage of the regulator during turn-on.

Typical shutdown voltage during turn-off can be calculated as follows:

$$V_{IN(SHUTDOWN)} = V_{IN(STARTUP)} - V_{HYS} [V] \quad (3)$$

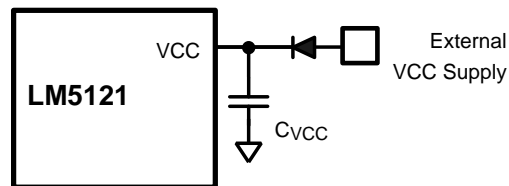
### 7.3.2 High Voltage VCC Regulator

The LM5121 contains an internal high voltage regulator that provides typical 7.6-V VCC bias supply for the controller and N-channel MOSFET drivers. The input of the VCC regulator,  $V_{IN}$  can be connected to a voltage source as high as 65 V. The VCC regulator turns on when the UVLO pin voltage is greater than 0.4 V. When the input voltage is below the VCC setpoint level, the VCC output tracks  $V_{IN}$  with a small dropout voltage. The output of the VCC regulator is current limited at 50-mA minimum.

## Feature Description (continued)

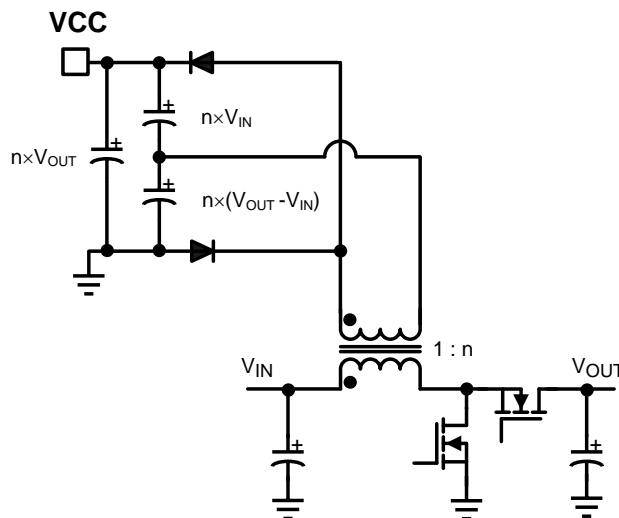
Upon power-up, the VCC regulator sources current into the capacitor connected to the VCC pin. The recommended range for the VCC capacitor is 1.0  $\mu\text{F}$  to 47  $\mu\text{F}$  and it is recommended to be at least 10 times greater than  $C_{\text{BST}}$  value. When operating with a  $V_{\text{IN}}$  voltage less than 6 V, the value of VCC capacitor should be 4.7  $\mu\text{F}$  or greater.

The internal power dissipation of the LM5121 device can be reduced by supplying VCC from an external supply. If an external VCC bias supply exists and the voltage is greater than 9 V and below 14.5 V. The external VCC bias supply can be applied to the VCC pin directly through a diode, as shown in Figure 19.



**Figure 19. External Bias Supply when 9 V <  $V_{\text{EXT}}$  < 14.5 V**

Shown in Figure 20 is a method to derive the VCC bias voltage with an additional winding on the boost inductor. This circuit must be designed to raise the VCC voltage above VCC regulation voltage to shut off the internal VCC regulator.



**Figure 20. External Bias Supply using Transformer**

The VCC regulator series pass transistor includes a diode between VCC and  $V_{\text{IN}}$ , as shown in Figure 21, that should not be forward biased in normal operation. If the voltage of the external VCC bias supply is greater than the  $V_{\text{IN}}$  pin voltage, an external blocking diode is required from the input power supply to the  $V_{\text{IN}}$  pin to prevent the external bias supply from passing current to the input supply through VCC. The need for the blocking diode should be evaluated for all applications when the VCC is supplied by the external bias supply. When the input power supply voltage is less than 4.5 V, an external VCC supply should be used and the external blocking diode is required.

## Feature Description (continued)

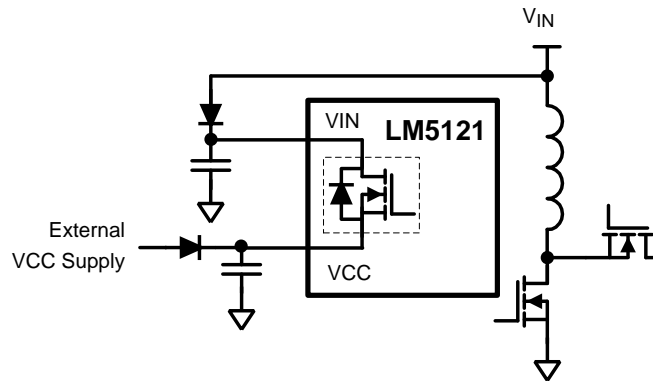


Figure 21. VIN Configuration when  $V_{IN} < V_{VCC}$

### 7.3.3 Oscillator

The LM5121 switching frequency is programmable by a single external resistor connected between the RT pin and the AGND pin. The resistor should be located very close to the device and connected directly to the RT and AGND pin. To set a desired switching frequency ( $f_{SW}$ ), the resistor value can be calculated from Equation 4.

$$R_T = \frac{9 \times 10^9}{f_{SW}} [\Omega] \quad (4)$$

### 7.3.4 Slope Compensation

For duty cycles greater than 50%, peak current mode regulators are subject to sub-harmonic oscillation. Sub-harmonic oscillation is normally characterized by alternating wide and narrow duty cycles. This sub-harmonic oscillation can be eliminated by a technique, which adds an artificial ramp, known as slope compensation, to the sensed inductor current.

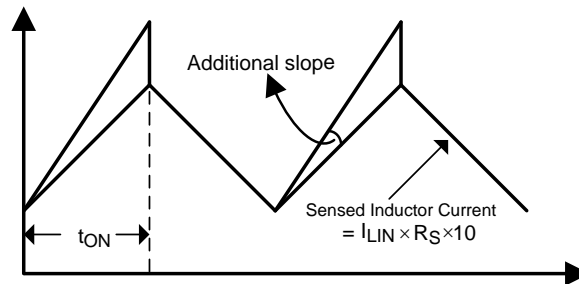


Figure 22. Slope Compensation

The slope compensation of the LM5121 is programmable by a single resistor connected between the SLOPE pin and the AGND pin. The amount of slope compensation can be calculated as follows:

$$V_{SLOPE} = \frac{6 \times 10^9}{f_{SW} \times R_{SLOPE}} \times D \quad [V]$$

where

$$D = 1 - \frac{V_{IN}}{V_{OUT}} \quad (5)$$

$R_{SLOPE}$  value can be determined from the following equation at minimum input voltage:

## Feature Description (continued)

$$R_{SLOPE} = \frac{L_{IN} \times 6 \times 10^9}{[K \times V_{OUT} - V_{IN(MIN)}] \times R_S \times 10} [\Omega]$$

where

- $K=0.82\sim 1$  as a default (6)

From the above equation, K can be calculated over the input range as follows:

$$K = \left( 1 + \frac{L_{IN} \times 6 \times 10^9}{V_{IN} \times R_S \times 10 \times R_{SLOPE}} \right) \times D'$$

where

- $D' = \frac{V_{IN}}{V_{OUT}}$  (7)

In any case, K should be greater than 0.5. At higher switching frequency over 500 kHz, the K factor is recommended to be greater than or equal to 1 because the minimum on-time affects the amount of slope compensation due to internal delays.

The sum of sensed inductor current and slope compensation should be less than COMP output high voltage ( $V_{OH}$ ) for proper startup with load and proper current limit operation. This limits the minimum value of  $R_{SLOPE}$  to be:

$$R_{SLOPE} > \frac{5.7 \times 10^9}{f_{SW}} \times \left( 1.2 - \frac{V_{IN(MIN)}}{V_{OUT}} \right) [\Omega]$$

- This equation can be used in most cases

$$R_{SLOPE} > \frac{8 \times 10^9}{f_{SW}} [\Omega]$$

- This conservative selection should be considered when  $V_{IN(MIN)} < 5.5$  V

The SLOPE pin cannot be left floating.

### 7.3.5 Error Amplifier

The internal high-gain error amplifier generates an error signal proportional to the difference between the FB pin voltage and the internal precision 1.2-V reference. The output of the error amplifier is connected to the COMP pin allowing the user to provide a Type 2 loop compensation network.

$R_{COMP}$ ,  $C_{COMP}$  and  $C_{HF}$  configure the error amplifier gain and phase characteristics to achieve a stable voltage loop. This network creates a pole at DC, a mid-band zero ( $f_{Z\_EA}$ ) for phase boost, and a high frequency pole ( $f_{P\_EA}$ ). The minimum recommended value of  $R_{COMP}$  is 2 k $\Omega$  (See the [Feedback Compensation](#) section).

$$f_{Z\_EA} = \frac{1}{2\pi \times R_{COMP} \times C_{COMP}} [\text{Hz}] \tag{9}$$

$$f_{P\_EA} = \frac{1}{2\pi \times R_{COMP} \times \left( \frac{C_{COMP} \times C_{HF}}{C_{COMP} + C_{HF}} \right)} [\text{Hz}] \tag{10}$$

### 7.3.6 PWM Comparator

The PWM comparator compares the sum of sensed inductor current and slope compensation ramp to the voltage at the COMP pin through a 1.2-V internal COMP to PWM voltage drop and terminates the present cycle when the sum of sensed inductor current and slope compensation ramp is greater than  $V_{COMP} - 1.2$  V.



## Feature Description (continued)

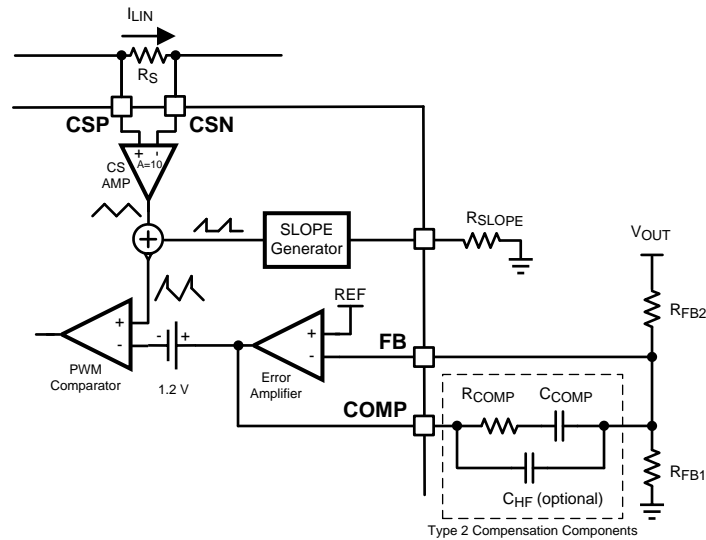


Figure 23. Feedback Configuration and PWM Comparator

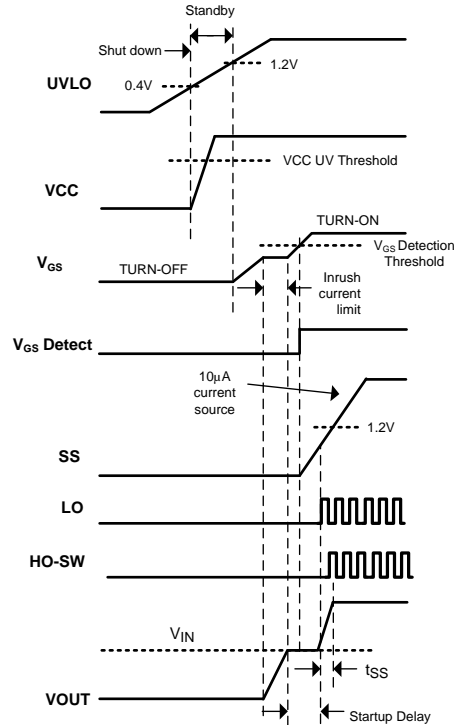
### 7.3.7 Disconnection Switch Control

Soft turn-on is achieved by slowly turning on the disconnection switch. When the UVLO pin voltage is greater than 1.2-V UVLO threshold and the VCC voltages exceeds the VCC UV threshold, the internal charge pump at DG starts sourcing current which enhances N-channel MOSFET disconnection switch. The internal charge pump provides bias voltage at DG pin above VIN pin voltage.

Additional inrush current limiting helps to limit the maximum inrush current. In the inrush current limiting condition when the voltage across sense resistor  $R_S$  reaches the inrush current limit threshold, the DG pin voltage is controlled to limit the current flow in  $R_S$  by controlling DG pull-down current sink.

As the source voltage of the disconnection switch is charged during initial charging period, the operating point of the disconnection switch transitions from an active region into the ohmic region and the DG pin voltage is maintained by the charge pump. An internal 10  $\mu$ A soft-start current source turns on when the DG to DS voltage is greater than  $V_{GS}$  detection threshold. VIN voltage is recommended to be greater than or equal to the input power supply voltage because the internal charge pump provides the DG bias voltage above the VIN voltage.

The DG pin voltage is clamped to approximately 16 V above the DS pin and 11 V above the VIN pin by internal zener diodes.

**Feature Description (continued)**

**Figure 24. Start-Up Sequence**
**7.3.8 Soft-Start**

The soft-start feature helps the regulator gradually reach the steady state operating point, thus reducing startup stresses and surges. The LM5121 regulates the FB pin to the SS pin voltage or the internal 1.2-V reference, whichever is lower. The internal 10- $\mu$ A soft-start current source gradually increases the voltage on an external soft-start capacitor connected to the SS pin. This results in a gradual rise of the output voltage starting from the input voltage level to the target output voltage. The soft-start time ( $t_{SS}$ ) varies with the input supply voltage and output set point and is calculated from Equation 11.

$$t_{SS} = \frac{C_{SS} \times 1.2V}{10\mu A} \times \left( 1 - \frac{V_{IN}}{V_{OUT}} \right) [\text{sec}] \quad (11)$$

When UVLO pin voltage is greater than 1.2-V UVLO threshold, VCC voltage exceeds the VCC UV threshold and DG to DS voltage is greater than  $V_{GS}$  detection threshold, an internal 10- $\mu$ A soft-start current source turns on. At the beginning of this soft-start sequence,  $V_{SS}$  should be allowed to fall down below 25 mV by the internal SS pull-down switch. The SS pin can be pulled down by an external switch to stop switching, but pulling up to enable switching is not recommended. The startup delay (see Figure 24) should be long enough for the high-side boot capacitor to be fully charged by the internal BST charge pump. This defines the recommended minimum  $C_{SS}$  value, which is especially important when  $V_{VIN}$  is greater than 9 V.

$$C_{SS} > 0.33 \times C_{BST} \times \left( \frac{V_{OUT}}{V_{VIN}} \right) [F] \quad (12)$$

Also, the value of  $C_{SS}$  should be large enough to charge the output capacitor during soft-start time.

$$C_{SS} > \frac{10\mu A \times V_{OUT}}{1.2V} \times \frac{C_{OUT}}{I_{OUT}} [F] \quad (13)$$

## Feature Description (continued)

### 7.3.9 HO and LO Drivers

The LM5121 contains two strong N-channel MOSFET gate drivers and a high-side level shifter to drive the external N-channel MOSFET switches. The high-side gate driver works in conjunction with an external bootstrap diode  $D_{BST}$ , and bootstrap capacitor  $C_{BST}$ . During the on-time of the low-side N-channel MOSFET driver, the SW pin voltage is approximately 0 V and the  $C_{BST}$  is charged from VCC through the  $D_{BST}$ . A 0.1- $\mu$ F or larger ceramic capacitor, connected with short traces between the BST and SW pin, is recommended.

The LO and HO outputs are controlled with an adaptive dead-time methodology which ensures that both outputs are never enabled at the same time. When the controller commands LO to be enabled, the adaptive dead-time logic first disables HO and waits for HO-SW voltage to drop. LO is then enabled after a small delay (HO Fall to LO Rise Delay). Similarly, the HO turn-on is delayed until the LO voltage has discharged. HO is then enabled after a small delay (LO Fall to HO Rise Delay). This technique ensures adequate dead-time for any size N-channel MOSFET or parallel MOSFET configurations especially when VCC is supplied by a higher external voltage source. Use caution when adding series gate resistors, as this may decrease the effective dead-time.

Care should be exercised in selecting the N-channel MOSFET devices threshold voltage when the VIN voltage range is below the VCC regulation level or a bypass operation is required. If bypass operation is required when output voltage is less than 12 V, a logic level device should be selected for the high-side N-channel MOSFET. During startup at low input voltages, the low-side N-channel MOSFET's gate plateau voltage should be sufficiently low to completely enhance the N-channel MOSFET device. If the low-side MOSFET drive voltage is lower than the low-side MOSFET gate plateau voltage during startup, the regulator may not start properly and it may operate at the maximum duty cycle in a high power dissipation state. This condition can be avoided by selecting a lower threshold N-channel MOSFET or by increasing  $V_{IN(STARTUP)}$  with the UVLO pin programming.

### 7.3.10 Bypass Operation ( $V_{OUT} = V_{IN}$ )

The LM5121 allows 100% duty cycle operation for the high-side synchronous switch when the input supply voltage is equal to or greater than the target output voltage. An internal 200  $\mu$ A BST charge pump maintains sufficient high-side driver supply voltage to keep the high-side N-channel MOSFET switch on without the power stage switching. The internal BST charge pump is enabled when the UVLO pin voltage is greater than 1.2 V, the VCC voltage exceeds the VCC UV threshold and DG to DS voltage is greater than the  $V_{GS}$  detection threshold. The BST charge pump generates 5.3 V minimum BST to SW voltage when SW voltage is greater than 9 V. This requires minimum 9 V boost output voltage for proper bypass operation. The leakage current of the boot diode should be always less than the BST charge pump sourcing current to maintain a sufficient driver supply voltage at both low and high temperatures. Forced PWM mode is the recommended PWM configuration when bypass operation is required.

### 7.3.11 Cycle-by-Cycle Current Limit

The LM5121 features a peak cycle-by-cycle current limit function. If the CSP to CSN voltage exceeds the 75-mV cycle-by-cycle current limit threshold, the current limit comparator immediately terminates the LO output.

For the case where the inductor current overshoots the desired limit, such as inductor saturation, the current limit comparator blocks LO pulses until the current has decayed below the current limit threshold. Peak inductor current in current limit can be calculated as follows:

$$I_{PEAK(CL)} = \frac{75\text{mV}}{R_S} [A] \quad (14)$$

### 7.3.12 Circuit Breaker Function

In addition to the hiccup mode short circuit / overload protection, LM5121 provides a circuit breaker function for maximum safety. If the input current increases rapidly due to a fault, the current through the disconnection switch may exceed the inrush control threshold before the inrush control loop is able to respond. If the sensed current exceeds the circuit breaker threshold, the disconnection switch is quickly turned off through an internal switch at the DG pin until current sense input falls below the circuit breaker disable threshold. If the RES pin voltage is less than 1.2 V, the controller then restarts the inrush control procedure.

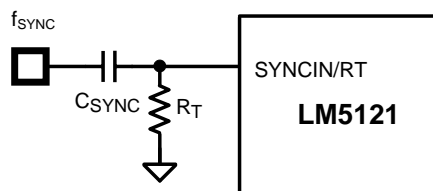
## Feature Description (continued)

### 7.3.13 Clock Synchronization

The SYNCIN/RT pin can be used to synchronize the internal oscillator to an external clock. The positive going synchronization clock at the RT pin must exceed the RT sync rising threshold and the negative going synchronization clock at RT pin must exceed the RT sync falling threshold to trip the internal synchronization pulse detector.

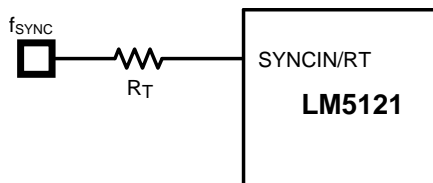
With the configuration in [Figure 25](#), the frequency of the external synchronization pulse is recommended to be within  $\pm 20\%$  of the internal oscillator frequency programmed by RT resistor. The actual operating range is  $\pm 100/40\%$  of the programmed frequency. For example, 900 kHz external synchronization clock and 20 k $\Omega$  RT resistor are required for 450 kHz switching. The internal oscillator can be synchronized by AC coupling a positive edge into the RT pin. A 5-V amplitude pulse signal coupled through 100-pF capacitor is a good starting point. The RT resistor is always required in this configuration, whether the oscillator is free running or externally synchronized.

Care should be taken to guarantee that the RT pin voltage does not go below  $-0.3$  V at the falling edge of the external pulse. This may limit the duty cycle of external synchronization pulse. There is approximately 400 ns delay from the rising edge of the external pulse to the rising edge of LO.



**Figure 25. Oscillator Synchronization Through AC Coupling**

With the configuration in [Figure 26](#), the internal oscillator can be synchronized by connecting the external synchronization clock to the RT pin through the RT resistor with free of the duty cycle limit. The output stage of the external clock source should be a low impedance totem-pole structure and the default logic state of  $f_{\text{SYNC}}$  should be low.



**Figure 26. Oscillator Synchronization Through a Resistor**

### 7.3.14 Maximum Duty Cycle

When operating with a high PWM duty cycle, the low-side N-channel MOSFET device is forced off each cycle. This forced LO off-time limits the maximum duty cycle of the controller. When designing a boost regulator with high switching frequency and high duty cycle requirements, check the required maximum duty cycle. The minimum input supply voltage which can achieve the target output voltage is estimated from [Equation 15](#).

$$V_{\text{IN(MIN)}} = f_{\text{SW}} \times V_{\text{OUT}} \times (750\text{ns} + \text{margin}) \quad [\text{V}] \quad (15)$$

100 ns of margin is recommended.

### 7.3.15 Thermal Protection

Internal thermal shutdown circuitry is provided to protect the controller in the event the maximum junction temperature is exceeded. When activated, typically at  $165^{\circ}\text{C}$ , the controller is forced into a low-power shutdown mode, disabling the output drivers, disconnection switch and the VCC regulator. This feature is designed to prevent overheating and destroying the device.

## 7.4 Device Functional Modes

### 7.4.1 Hiccup Mode Short Circuit and Overload Protection

If cycle-by-cycle current limit or inrush current limit is reached during any cycle, a 30- $\mu$ A RES current is sourced into the RES capacitor for the remainder of the clock cycle. If the RES capacitor voltage exceeds the 1.2-V restart threshold, a hiccup mode protection sequence is initiated. In the hiccup mode, the DG pin is discharged to GND if the inrush current limit is reached, the SS capacitor is discharged to GND, both LO and HO outputs are disabled, and the voltage on the RES capacitor is ramped up and down between 2-V and 4-V eight times.

After the eighth RES pin cycle, the DG pin is released and charged by the DG charge pump. If a 2–3-V zener diode is connected in parallel with the RES capacitor, the regulator enters into the hiccup mode and never restarts until UVLO shutdown is cycled. Connect the RES pin directly to the AGND when the hiccup mode operation is not required.

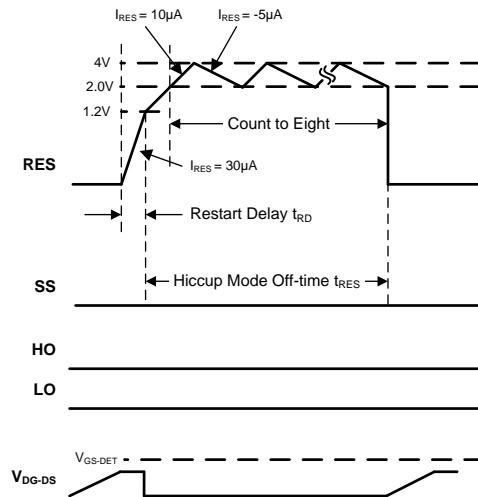


Figure 27. Hiccup Mode Short Circuit Protection (Start-Up With Output Short)

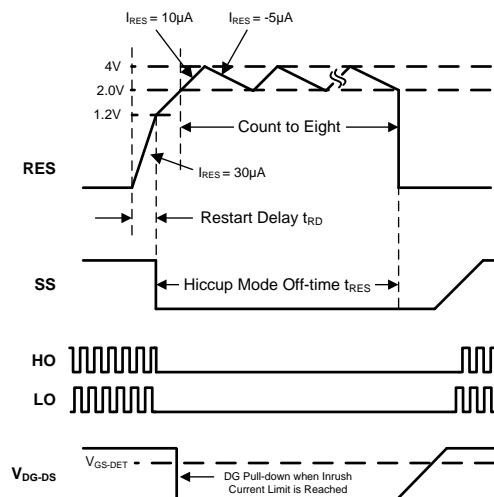


Figure 28. Hiccup Mode Overload Protection (Overload After Start-Up)

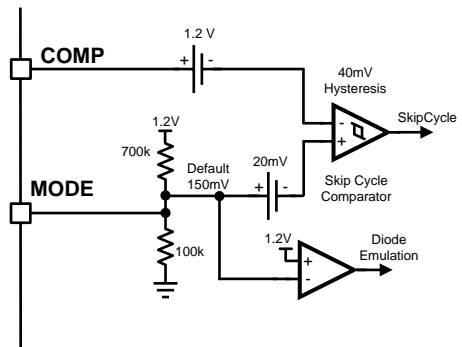
### 7.4.2 MODE Control (Forced PWM Mode and Diode Emulation Mode)

A fully synchronous boost regulator implemented with a high-side MOSFET rather than a diode has the capability to sink current from the output in conditions such as light load, overvoltage or load transient. The LM5121 can be configured to operate in either forced PWM mode or diode emulation mode.

## Device Functional Modes (continued)

In forced PWM mode (FPWM), reverse current flow in high-side N-channel MOSFET switch is allowed and the inductor current conducts continuously at light or no load conditions. The benefit of the forced PWM mode is fast light load to heavy load transient response and constant frequency operation at light or no load conditions. To enable forced PWM mode, connect the MODE pin to VCC or tie it to a voltage greater than 1.2 V. In the FPWM mode, reverse current flow is not limited.

In the diode emulation mode, current flow in the high-side switch is only permitted in one direction (source to drain). Turn-on of the high-side switch is allowed if the CSP to CSN voltage is greater than the 7 mV rising threshold of the zero current detection circuit during low-side switch on-time. If the CSP to CSN voltage is less than 6 mV falling threshold of the zero current detection during high-side switch on-time, reverse current flow from output to input through the high-side N-channel MOSFET is prevented and discontinuous conduction mode of operation is enabled by latching off the high-side N-channel MOSFET switch for the remainder of the PWM cycle. A benefit of the diode emulation is lower power loss at light load conditions.



**Figure 29. MODE Selection**

During startup the LM5121 forces diode emulation, to support startup into a pre-biased load, until the SS pin voltage exceeds 1.2 V. Forced diode emulation is terminated by a pulse from PWM comparator when SS is greater than 1.2 V. If there are no LO pulses during the soft-start period, a 350 ns one-shot LO pulse is forced at the end of soft-start to help charge the bootstrap capacitor. Due to the internal current sense delay, configuring the LM5121 for diode emulation mode should be carefully evaluated if the inductor current ripple ratio is high and the controller is operated at very high switching frequency. The transient performance during full load to no load in FPWM mode should also be verified.

### 7.4.3 MODE Control (Skip Cycle Mode and Pulse Skipping Mode)

Light load efficiency of the regulator typically drops as the losses associated with switching and bias currents of the converter become a significant percentage of the total power delivered to the load. In order to increase the light load efficiency the LM5121 provides two types of light load operation in diode emulation mode.

The skip cycle mode integrated into the LM5121 controller reduces switching losses and improves efficiency in light load conditions by reducing the average switching frequency. Skip cycle operation is achieved by the skip cycle comparator. When a light load condition occurs, the COMP pin voltage naturally decreases, reducing the peak current delivered by the regulator. During COMP voltage falling, the skip cycle threshold is defined as  $V_{MODE} - 20 \text{ mV}$  and during COMP voltage rising, it is defined as  $V_{MODE} + 20 \text{ mV}$ . There is 40mV of internal hysteresis in the skip cycle comparator.

When the voltage at PWM comparator input falls below  $V_{MODE} - 20 \text{ mV}$ , both HO and LO outputs are disabled. The controller continues to skip switching cycles until the voltage at PWM comparator input increases to  $V_{MODE} + 20 \text{ mV}$ , demanding more inductor current. The number of cycles skipped depends upon the load and the response time of the frequency compensation network. The internal hysteresis of skip cycle comparator helps to produce a long skip cycle interval followed by a short burst of pulses. An internal 700 k $\Omega$  pull-up and 100 k $\Omega$  pull-down resistor sets the MODE pin to 0.15 V as a default. Since the peak current limit threshold is set to 750 mV,

## Device Functional Modes (continued)

the default skip threshold corresponds to approximately 17% of the peak level. In practice the skip level will be lower due to the added slope compensation. By adding an external pull-up resistor from MODE to the SLOPE or VCC pin or adding an external pull-down resistor to the ground, the skip cycle threshold can be programmed. Because the skip cycle comparator monitors the PWM comparator input which tracks the COMP voltage, skip cycle operation is not recommended when the bypass operation is required.

Pulse skipping operation can be achieved by connecting the MODE pin to ground. The negative 20 mV offset at the positive input of skip cycle comparator ensures the skip cycle comparator will not be triggered in normal operation. At light or no load conditions, the LM5121 skips LO pulses if the pulse width required by the regulator is less than the minimum LO on-time of the device. Pulse skipping appears as a random behavior as the error amplifier attempts to find the proper pulse width to maintain regulation at light or no load conditions.

## 8 Application and Implementation

### NOTE

Information in the following applications sections is not part of the TI component specification, and TI does not warrant its accuracy or completeness. TI's customers are responsible for determining suitability of components for their purposes. Customers should validate and test their design implementation to confirm system functionality.

### 8.1 Application Information

The LM5121 device is a step-up dc-dc converter. The device is typically used to convert a lower dc voltage to a higher dc voltage. Use the following design procedure to select component values for the LM5121 device. Alternately, use the WEBENCH® software to generate a complete design. The WEBENCH software uses an iterative design procedure and accesses a comprehensive database of components when generating a design. This section presents a simplified discussion of the design process.

#### 8.1.1 Feedback Compensation

The open loop response of a boost regulator is the product of the modulator transfer function and the feedback transfer function. When plotted on a dB scale, the open loop gain is shown as the sum of modulator gain and feedback gain. The modulator transfer function of a current mode boost regulator including a power stage transfer function with an embedded current loop can be simplified as one pole, one zero and one Right Half Plane (RHP) zero system.

Modulator transfer function is defined as follows:

$$\frac{\hat{V}_{OUT}(s)}{\hat{V}_{COMP}(s)} = A_M \times \frac{\left(1 + \frac{s}{\omega_{Z\_ESR}}\right) \times \left(1 - \frac{s}{\omega_{Z\_RHP}}\right)}{\left(1 + \frac{s}{\omega_{P\_LF}}\right)}$$

where

- $A_M(\text{Modulator DC gain}) = \frac{R_{LOAD}}{R_{S\_EQ} \times A_S} \times \frac{D'}{2}$
- $\omega_{P\_LF}(\text{Load pole}) = \frac{2}{R_{LOAD} \times C_{OUT}}$
- $\omega_{Z\_ESR}(\text{ESR zero}) = \frac{1}{R_{ESR} \times C_{OUT}}$
- $\omega_{Z\_RHP}(\text{RHP zero}) = \frac{R_{LOAD} \times (D')^2}{L_{IN\_EQ}}$
- $L_{IN\_EQ} = \frac{L_{IN}}{n}, R_{S\_EQ} = \frac{R_S}{n}$
- n is the number of the phase. (16)

If the ESR of  $C_{OUT}$  ( $R_{ESR}$ ) is small enough and the RHP zero frequency is far away from the target crossover frequency, the modulator transfer function can be further simplified to one pole system and the voltage loop can be closed with only two loop compensation components,  $R_{COMP}$  and  $C_{COMP}$ , leaving a single pole response at the crossover frequency. A single pole response at the crossover frequency yields a very stable loop with 90 degrees of phase margin.

The feedback transfer function includes the feedback resistor divider and loop compensation of the error amplifier.  $R_{COMP}$ ,  $C_{COMP}$  and optional  $C_{HF}$  configure the error amplifier gain and phase characteristics, and create a pole at origin, a low frequency zero and a high frequency pole.

The feedback transfer function is defined as follows:



## Application Information (continued)

$$-\frac{\hat{V}_{\text{COMP}}}{\hat{V}_{\text{OUT}}} = A_{\text{FB}} \times \frac{1 + \frac{s}{\omega_{\text{Z\_EA}}}}{s \times \left( 1 + \frac{s}{\omega_{\text{P\_EA}}} \right)}$$

where

- $A_{\text{FB}}$  (Feedback DC gain) =  $\frac{1}{R_{\text{FB2}} \times (C_{\text{COMP}} + C_{\text{HF}})}$
- $\omega_{\text{Z\_EA}}$  (Low frequency zero) =  $\frac{1}{R_{\text{COMP}} \times C_{\text{COMP}}}$
- $\omega_{\text{P\_EA}}$  (High frequency pole) =  $\frac{1}{R_{\text{COMP}} \times C_{\text{HF}}}$  (17)

The pole at the origin minimizes output steady state error. The low frequency zero should be set to cancel the load pole of the modulator. The high frequency pole can be used to cancel the zero created by the output capacitor ESR or to decrease noise susceptibility of the error amplifier. By placing the low frequency zero an order of magnitude less than the crossover frequency, the maximum amount of phase boost is achieved at the crossover frequency. The high frequency pole should be set above the crossover frequency since the addition of  $C_{\text{HF}}$  adds a pole in the feedback transfer function.

The crossover frequency (open loop bandwidth) is usually selected between one twentieth and one fifth of the switching frequency. In a simplified formula, the estimated crossover frequency can be defined as:

$$f_{\text{CROSS}} = \frac{R_{\text{COMP}}}{\pi \times R_{\text{S\_EQ}} \times R_{\text{FB2}} \times A_{\text{S}} \times C_{\text{OUT}}} \times D' \text{ [Hz]}$$

where

- $D' = \frac{V_{\text{IN}}}{V_{\text{OUT}}}$  (18)

For higher crossover frequency,  $R_{\text{COMP}}$  can be increased, while proportionally decreasing  $C_{\text{COMP}}$ . Conversely, decreasing  $R_{\text{COMP}}$  while proportionally increasing  $C_{\text{COMP}}$ , results in lower bandwidth while keeping the same zero frequency in the feedback transfer function.

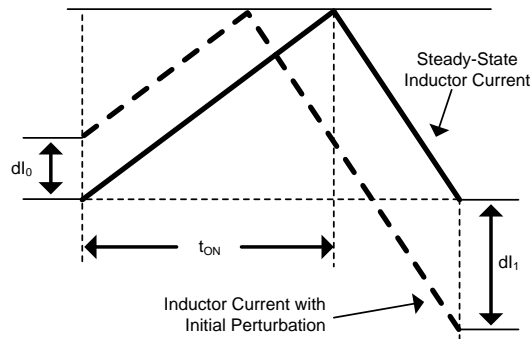
The modulator transfer function can be measured using a network analyzer and the feedback transfer function can be configured for the desired open loop transfer function. If the network analyzer is not available, step load transient tests can be performed to verify acceptable performance. The step load goal is minimum overshoot/undershoot with a damped response.

### 8.1.2 Sub-Harmonic Oscillation

Peak current mode regulator can exhibit unstable behavior when operating above 50% duty cycle. This behavior is known as sub-harmonic oscillation and is characterized by alternating wide and narrow pulses at the SW pin. Sub-harmonic oscillation can be prevented by adding a voltage ramp (slope compensation) on top of the sensed inductor current. By choosing  $K \geq 0.82 \sim 1.0$ , the sub-harmonic oscillation will be eliminated even with widely varying input voltage.

In time-domain analysis, the steady-state inductor current starting from an initial point returns to the same point. When the amplitude of an end cycle current error ( $dl_1$ ) caused by an initial perturbation ( $dl_0$ ) is less than the amplitude of  $dl_0$  or  $dl_1/dl_0 > -1$ , the perturbation naturally disappears after a few cycles. When  $dl_1/dl_0 < -1$ , the initial perturbation no longer disappears, it results in sub-harmonic oscillation in the steady-state.

**Application Information (continued)**



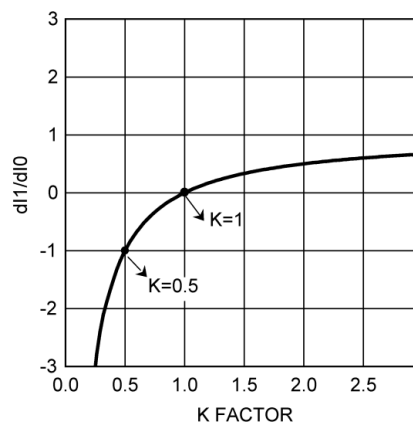
**Figure 30. Effect of Initial Perturbation when  $dl_1/dl_0 < -1$**

$dl_1/dl_0$  can be calculated as:

$$\frac{dl_1}{dl_0} = 1 - \frac{1}{K}$$

(19)

The relationship between  $dl_1/dl_0$  and K factor is illustrated in the graphic below.



**Figure 31.  $dl_1/dl_0$  vs K Factor**

The absolute minimum value of K is 0.5. When  $K < 0.5$ , the amplitude of  $dl_1$  is greater than the amplitude of  $dl_0$  and any initial perturbation results in sub-harmonic oscillation. If  $K = 1$ , any initial perturbation will be removed in one switching cycle. This is known as one-cycle damping. When  $-1 < dl_1/dl_0 < 0$ , any initial perturbation will be under-damped. Any perturbation will be over-damped when  $0 < dl_1/dl_0 < 1$ .

In the frequency-domain, Q, the quality factor of sampling gain term in modulator transfer function, is used to predict the tendency for sub-harmonic oscillation, which is defined as:

$$Q = \frac{1}{\pi(K - 0.5)}$$

(20)

The relationship between Q and K factor is illustrated in [Figure 32](#).

Application Information (continued)

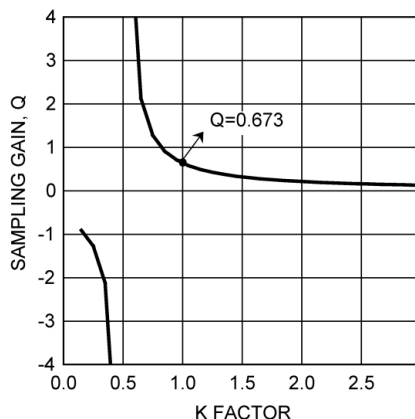


Figure 32. Sampling Gain Q vs K Factor

The recommended absolute minimum value of K is 0.5. High gain peaking when K is less than 0.5 results in sub-harmonic oscillation at  $f_{SW}/2$ . A higher value of K factor may introduce additional phase shift near the crossover frequency, but has the benefit of reducing noise susceptibility in the current loop. The maximum allowable value of K factor can be calculated using the maximum crossover frequency equation and frequency analysis formulas in Table 1.

Table 1. Boost Regulator Frequency Analysis

	SIMPLIFIED FORMULA	COMPREHENSIVE FORMULA <sup>(1)</sup>
MODULATOR TRANSFER FUNCTION	$\frac{\hat{V}_{OUT}(s)}{\hat{V}_{COMP}(s)} = A_M \times \frac{\left(1 + \frac{s}{\omega_{Z\_ESR}}\right) \times \left(1 - \frac{s}{\omega_{Z\_RHP}}\right)}{\left(1 + \frac{s}{\omega_{P\_LF}}\right)}$	$\frac{\hat{V}_{OUT}(s)}{\hat{V}_{COMP}(s)} = A_M \times \frac{\left(1 + \frac{s}{\omega_{Z\_ESR}}\right) \times \left(1 - \frac{s}{\omega_{Z\_RHP}}\right)}{\left(1 + \frac{s}{\omega_{P\_LF}}\right) \times \left(1 + \frac{s}{\omega_{P\_ESR}}\right) \times \left(1 + \frac{s}{\omega_{P\_HF}} + \frac{s^2}{\omega_n^2}\right)}$
Modulator DC gain <sup>(2)</sup>		$A_M = \frac{R_{LOAD}}{R_{S\_EQ} \times A_S} \times \frac{D'}{2}$
RHP zero <sup>(2)</sup>		$\omega_{Z\_RHP} = \frac{R_{LOAD} \times (D')^2}{L_{IN\_EQ}}$
ESR zero	$\omega_{Z\_ESR} = \frac{1}{R_{ESR} \times C_{OUT}}$	$\omega_{Z\_ESR} = \frac{1}{R_{ESR1} \times C_{OUT1}}$
ESR pole	Not considered	$\omega_{P\_ESR} = \frac{1}{R_{ESR1} \times (C_{OUT1} // C_{OUT2})}$
Dominant load pole		$\omega_{P\_LF} = \frac{2}{R_{LOAD} \times C_{OUT}}$
Sampled gain inductor pole	Not considered	$\omega_{P\_HF} = \frac{f_{SW}}{K - 0.5}$ or $\omega_{P\_HF} = Q \times \omega_n$
Quality factor	Not considered	$Q = \frac{1}{\pi(K - 0.5)}$

(1) Comprehensive equation includes an inductor pole and a gain peaking at  $f_{SW}/2$ , which is caused by sampling effect of the current mode control. Also, it assumes that a ceramic capacitor  $C_{OUT2}$  (No ESR) is connected in parallel with  $C_{OUT1}$ .  $R_{ESR1}$  represents ESR of  $C_{OUT1}$ .

(2) With multiphase configuration,  $L_{IN\_EQ} = \frac{L_{IN}}{n}$ ,  $R_{S\_EQ} = \frac{R_S}{n}$ ,  $R_{LOAD} = \frac{V_{OUT}}{I_{OUT} \text{ of each phase} \times n}$ , and  $C_{OUT} = C_{OUT}$  of each phase  $\times n$ , where  $n$  = number of phases.

**Application Information (continued)**
**Table 1. Boost Regulator Frequency Analysis (continued)**

	SIMPLIFIED FORMULA	COMPREHENSIVE FORMULA <sup>(1)</sup>
Sub-harmonic double pole	Not considered	$\omega_n = \frac{\omega_{SW}}{2} = \pi \times f_{SW}$ or $f_n = \frac{f_{SW}}{2}$
K factor	K = 1	$K = \left( 1 + \frac{L_{IN} \times 6 \times 10^9}{V_{IN} \times R_S \times 10 \times R_{SLOPE}} \right) \times D'$
<b>FEEDBACK TRANSFER FUNCTION</b>		$-\frac{\hat{V}_{COMP}(s)}{\hat{V}_{OUT}(s)} = A_{FB} \times \frac{1 + \frac{s}{\omega_{Z\_EA}}}{s \times \left( 1 + \frac{s}{\omega_{P\_EA}} \right)}$
Feedback DC gain		$A_{FB} = \frac{1}{R_{FB2} \times (C_{COMP} + C_{HF})}$
Mid-band Gain		$A_{FB\_MID} = \frac{R_{COMP}}{R_{FB2}}$
Low frequency zero		$\omega_{Z\_EA} = \frac{1}{R_{COMP} \times C_{COMP}}$
High frequency pole	$\omega_{P\_EA} = \frac{1}{R_{COMP} \times C_{HF}}$	$\omega_{P\_EA} = \frac{1}{R_{COMP} \times (C_{CHF} // C_{COMP})}$
<b>OPEN LOOP RESPONSE</b>	$T(s) = A_M \times A_{FB} \times \frac{\left( 1 + \frac{s}{\omega_{Z\_ESR}} \right) \times \left( 1 - \frac{s}{\omega_{Z\_RHP}} \right)}{\left( 1 + \frac{s}{\omega_{P\_LF}} \right)} \times \frac{1 + \frac{s}{\omega_{Z\_EA}}}{s \times \left( 1 + \frac{s}{\omega_{P\_EA}} \right)}$	$T(s) = A_M \times A_{FB} \times \frac{\left( 1 + \frac{s}{\omega_{Z\_ESR}} \right) \times \left( 1 - \frac{s}{\omega_{Z\_RHP}} \right)}{\left( 1 + \frac{s}{\omega_{P\_LF}} \right) \times \left( 1 + \frac{s}{\omega_{P\_ESR}} \right) \times \left( 1 + \frac{s}{\omega_{P\_IF}} + \frac{s^2}{\omega_n^2} \right)} \times \frac{1 + \frac{s}{\omega_{Z\_EA}}}{s \times \left( 1 + \frac{s}{\omega_{P\_EA}} \right)}$
Crossover frequency <sup>(3)</sup> (Open loop band width)	$f_{CROSS} = \frac{R_{COMP}}{\pi \times R_{S\_EQ} \times R_{FB2} \times A_S \times C_{OUT}} \times D'$	Use graphic tool
Maximum cross over frequency <sup>(4)</sup>	$f_{CROSS\_MAX} = \frac{f_{SW}}{5} \text{ or } \frac{\omega_{Z\_RHP}}{2 \times \pi \times 4} \text{ whichever is smaller}$	$f_{CROSS\_MAX} = \frac{f_{SW}}{4 \times Q} \times \left( \sqrt{1 + 4 \times Q^2} - 1 \right)$ or $\frac{\omega_{Z\_RHP}}{2 \times \pi \times 4}$ , whichever is smaller

(3) Assuming  $\omega_{Z\_EA} = \omega_{P\_LF}$ ,  $\omega_{P\_EA} = \omega_{Z\_ESR}$ ,  $f_{CROSS} < \frac{\omega_{Z\_RHP}}{2 \times \pi \times 10}$ ,  $C_{COMP} = \frac{R_{LOAD} \times C_{OUT}}{4 \times R_{COMP}}$ , and  $D' = \frac{V_{IN}}{V_{OUT}}$ .

(4) The frequency at which 45° phase shift occurs in modulator phase characteristics.

**8.1.3 Output Overvoltage Protection**

Output overvoltage protection can be achieved by adding a simple external circuit. The output overvoltage protection circuit shown in [Figure 33](#) shuts down the LM5121 when the output voltage exceeds the overvoltage threshold set by the zener diode.

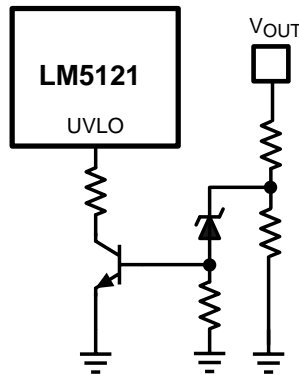


Figure 33. Output Overvoltage Protection

### 8.1.4 Input Transient Suppression

Input over-voltage transient suppression can be achieved by adding a zener diode from DG to ground. The DS voltage will be clamped to the zener voltage minus the gate threshold voltage of the disconnection MOSFET switch.

Since the input clamping occurs in the active region of disconnection MOSFET switch, safe operating area and the thermal properties of the disconnection MOSFET switch should be carefully considered.

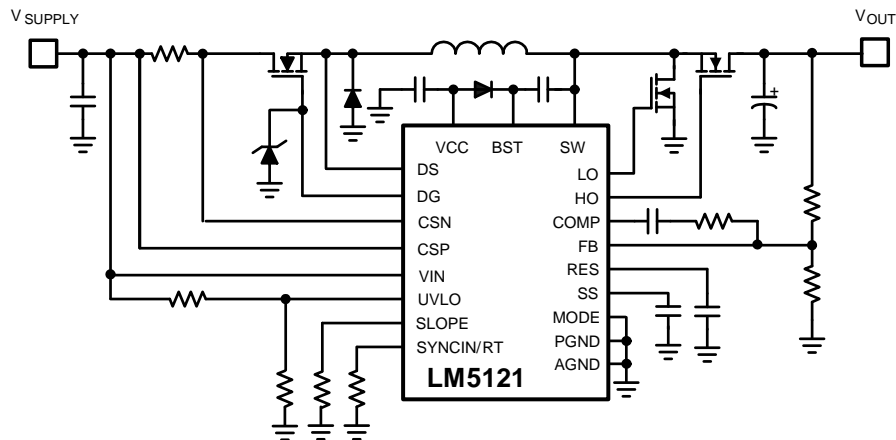


Figure 34. Input Transient Suppression

### 8.1.5 Inrush Current Limit Programming

Inrush current limit level can be lower than the cycle-by-cycle current limit level by adding a simple external circuit. The external inrush current limit programming circuit shown in Figure 35 and Figure 36 pull down CSN pin during inrush current limiting. Also, this configuration enables latch-off mode circuit breaker.

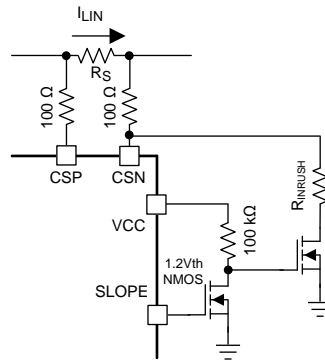


Figure 35. Inrush Current Limit Programming #1

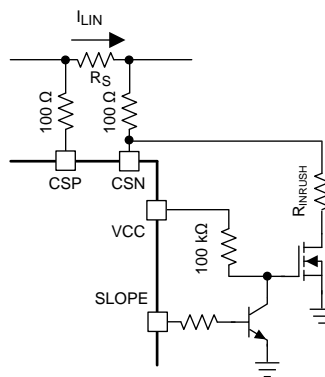


Figure 36. Inrush Current Limit Programming #2

### 8.1.6 Reverse Battery Protection + Disconnect Switch Control

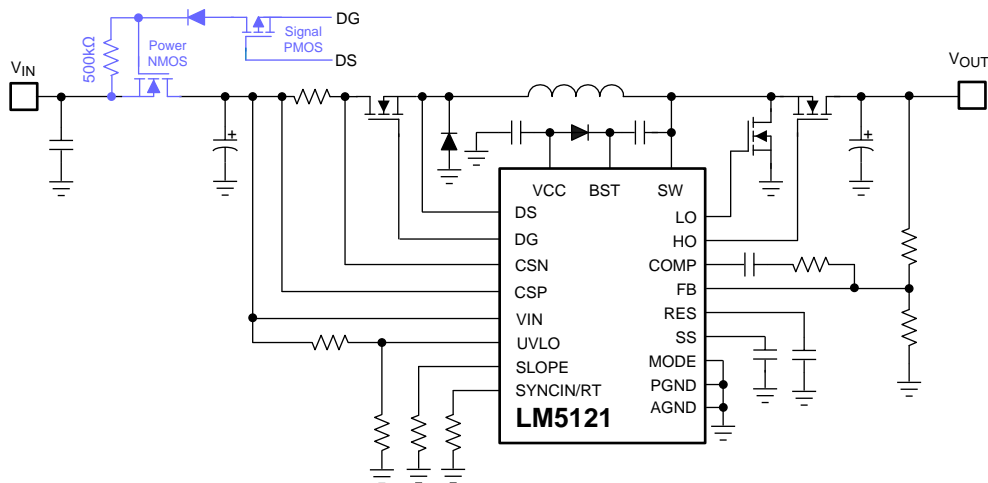


Figure 37. Reverse Battery Protection + Disconnection Switch

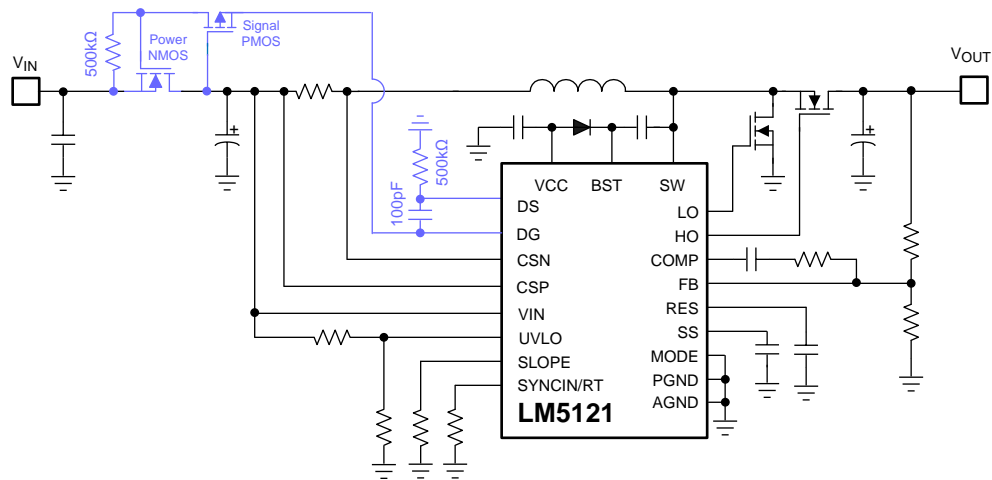
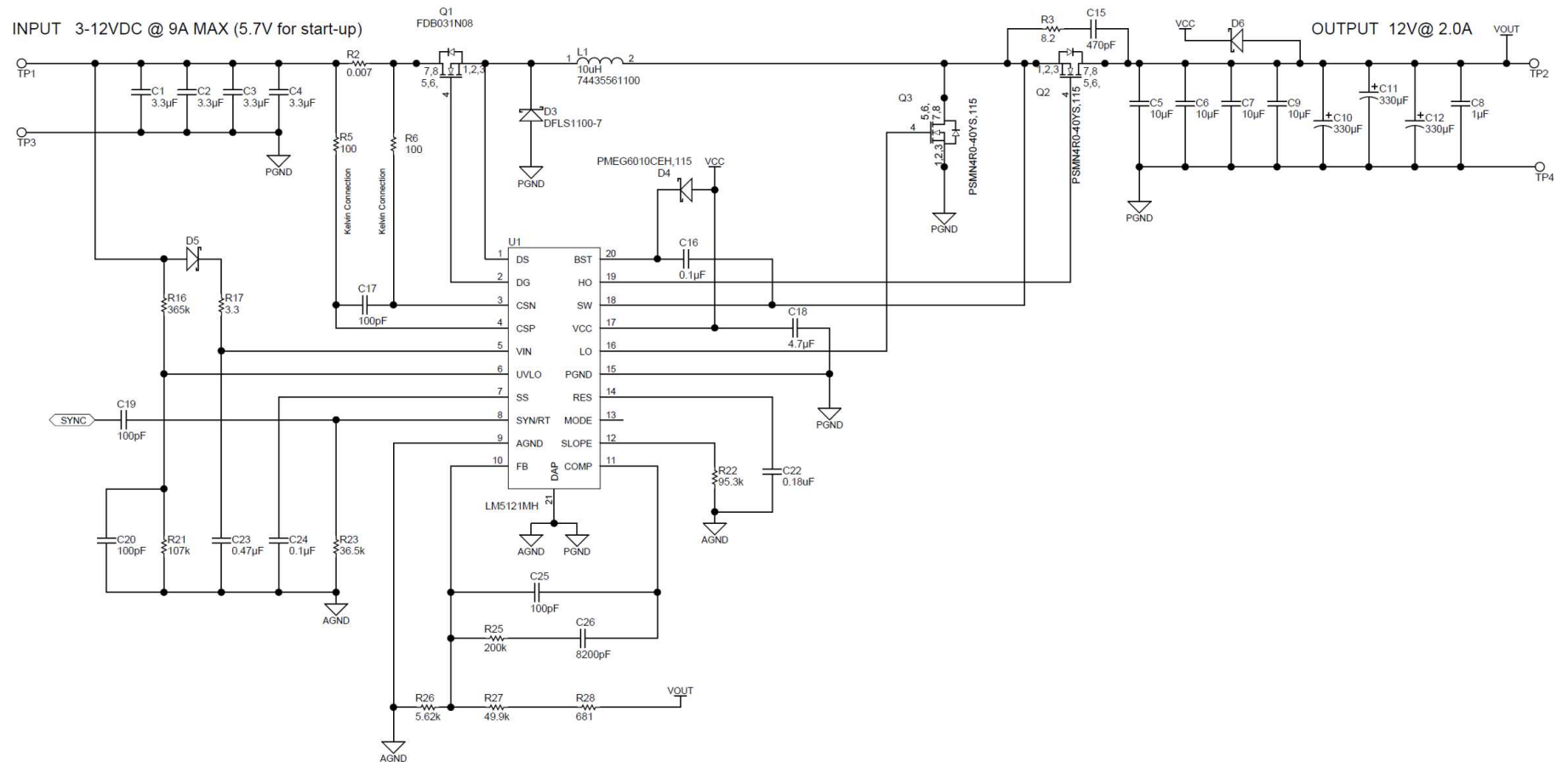


Figure 38. Reverse Battery Protection

**LM5121, LM5121-Q1**

SNVS963B –SEPTEMBER 2013–REVISED DECEMBER 2014

[www.ti.com](http://www.ti.com)
**8.2 Typical Application**

**Figure 39. Schematic**



## 8.2.1 Design Requirements

DESIGN PARAMETERS	VALUE
Output Voltage ( $V_{OUT}$ )	12 V
Full Load Current ( $I_{OUT}$ )	2 A
Output Power	24 W
Minimum Input Voltage ( $V_{IN(MIN)}$ )	3 V (5.7 V for start-up)
Typical Input Voltage ( $V_{IN(TYP)}$ )	9 V
Maximum Input Voltage ( $V_{IN(MAX)}$ )	12 V
Switching Frequency ( $f_{SW}$ )	250 kHz
Disconnection Switch Control	Yes

## 8.2.2 Detailed Design Procedure

### 8.2.2.1 Timing Resistor $R_T$

Generally, higher frequency applications are smaller but have higher losses. Operation at 250 kHz is selected for this example as a reasonable compromise between small size and high-efficiency. The value of  $R_T$  for 250 kHz switching frequency is calculated as follows:

$$R_T = \frac{9 \times 10^9}{f_{SW}} = \frac{9 \times 10^9}{250 \text{ kHz}} = 36.0 \text{ k}\Omega \quad (21)$$

A standard value of 36.5 k $\Omega$  is chosen for  $R_T$ .

### 8.2.2.2 UVLO Divider $R_{UV2}$ , $R_{UV1}$

The desired startup voltage and the hysteresis are set by the voltage divider  $R_{UV2}$ ,  $R_{UV1}$ . The UVLO shutdown voltage should be high enough to fully enhance the low-side N-channel MOSFET switch. For this design, the startup voltage is set to 5.5 V which is 0.2 V below 5.7 V.  $V_{HYS}$  is set to 3.7 V. This results 1.8 V of  $V_{IN(SHUTDOWN)}$ . The values of  $R_{UV2}$ ,  $R_{UV1}$  are calculated as follows:

$$R_{UV2} = \frac{V_{HYS}}{I_{HYS}} = \frac{3.7 \text{ V}}{10 \text{ }\mu\text{A}} = 370 \text{ k}\Omega \quad (22)$$

$$R_{UV1} = \frac{1.2 \text{ V} \times R_{UV2}}{V_{IN(STARTUP)} - 1.2 \text{ V}} = \frac{1.2 \text{ V} \times 370 \text{ k}\Omega}{5.5 \text{ V} - 1.2 \text{ V}} = 103 \text{ k}\Omega \quad (23)$$

A standard value of 365 k $\Omega$  is selected for  $R_{UV2}$ .  $R_{UV1}$  is selected to be a standard value of 107 k $\Omega$ .

### 8.2.2.3 Input Inductor $L_{IN}$

The inductor ripple current is typically set between 20% and 40% of the full load current, as a good compromise between core loss and copper loss of the inductor. Higher ripple current allows a smaller inductor size, but places more of a burden on the output capacitor to smooth the ripple voltage on the output. For this example, a ripple ratio (RR) of 0.3, 30% of the input current was chosen. Knowing the switching frequency and the typical output voltage, the inductor value can be calculated as follows:

$$L_{IN} = \frac{V_{IN}}{I_{IN} \times RR} \times \frac{1}{f_{SW}} \times \left(1 - \frac{V_{IN}}{V_{OUT}}\right) = \frac{9 \text{ V}}{\frac{24 \text{ W}}{9 \text{ V}} \times 0.3} \times \frac{1}{250 \text{ kHz}} \times \left(1 - \frac{9 \text{ V}}{12 \text{ V}}\right) = 11.3 \text{ }\mu\text{H} \quad (24)$$

The closest standard value of 10  $\mu\text{H}$  was chosen for  $L_{IN}$ .

The saturation current rating of the inductor should be greater than the peak inductor current, which is calculated at the minimum input voltage and full load. A 2.7 V startup voltage is used to conservatively estimate the peak inductor current.

$$I_{PEAK} = I_{IN} + \frac{1}{2} \times \frac{V_{IN}}{L_{IN} \times f_{SW}} \times \left(1 - \frac{V_{IN}}{V_{OUT}}\right) = \frac{12 \text{ V} \times 2 \text{ A}}{2.7 \text{ V}} + \frac{1}{2} \times \frac{2.7 \text{ V}}{10 \text{ }\mu\text{H} \times 250 \text{ kHz}} \times \left(1 - \frac{2.7 \text{ V}}{12 \text{ V}}\right) = 9.3 \text{ A} \quad (25)$$

### 8.2.2.4 Current Sense Resistor $R_S$

The peak input current limit threshold should be set 20–50% higher than the required peak current at low input voltage and full load, accounting for tolerances. For this example, 20% margin is chosen.

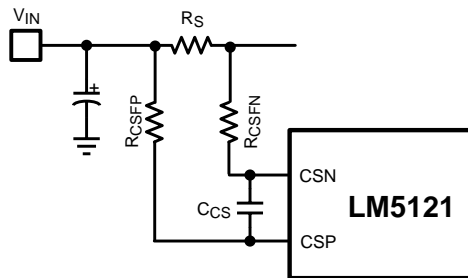
$$R_S = \frac{V_{CS-TH1}}{I_{PEAK(CL)}} = \frac{75 \text{ mV}}{9.3\text{A} \times 1.2} = 6.7 \text{ m}\Omega \quad (26)$$

A closest standard value of 7 m $\Omega$  is selected for  $R_S$ . The maximum power loss of  $R_S$  is calculated as follows.

$$P_{LOSS(RS)} = I^2 R = (9.3\text{A} \times 1.2)^2 \times 7\text{m}\Omega = 0.87\text{W} \quad (27)$$

### 8.2.2.5 Current Sense Filter $R_{CSFP}$ , $R_{CSFN}$ , $C_{CS}$

The current sense filter is optional. 100 pF for  $C_{CS}$  and 100  $\Omega$  for  $R_{CSFP}$  and  $R_{CSFN}$  are normal recommendations. Because CSP and CSN pins are high impedance,  $C_{CS}$  should be placed physically as close to the device.



**Figure 40. Current Sense Filter**

### 8.2.2.6 Slope Compensation Resistor $R_{SLOPE}$

The K value is selected to be 1 at the minimum input voltage.  $R_{SLOPE}$  should be selected such that the sum of sensed inductor current and slope compensation is less than COMP output high voltage.

$$R_{SLOPE} > \frac{8 \times 10^9}{f_{SW}} = \frac{8 \times 10^9}{250 \text{ kHz}} = 32 \text{ k}\Omega \quad (28)$$

$$R_{SLOPE} = \frac{L_{IN} \times 6 \times 10^9}{[K \times V_{OUT} - V_{IN(MIN)}] \times R_S \times 10} = \frac{10 \mu\text{H} \times 6 \times 10^9}{(1 \times 12\text{V} - 3\text{V}) \times 7\text{m}\Omega \times 10} = 95 \text{ k}\Omega \quad (29)$$

A closest standard value of 95.3 k $\Omega$  is selected for  $R_{SLOPE}$ .

### 8.2.2.7 Output Capacitor $C_{OUT}$

The output capacitors smooth the output voltage ripple and provide a source of charge during transient loading conditions. Also the output capacitors reduce the output voltage overshoot when the load is suddenly disconnected.

The ripple current rating of the output capacitor should be carefully considered. In boost regulator, the output is supplied by discontinuous current and the ripple current requirement is usually high. In practice, the ripple current requirement can be dramatically reduced by placing high quality ceramic capacitors closer to the high side MOSFET switch than the bulk aluminum capacitors.

The output voltage ripple is dominated by the ESR of the output capacitors. Parallel output capacitors are a good choice to minimize effective ESR and split the output ripple current into multiple capacitors.

In this example, three 330  $\mu\text{F}$  aluminum capacitors are used to share the output ripple current and source the required charge. The maximum output ripple current can be calculated at the minimum input voltage as follows:

$$I_{RIPPLE\_MAX(COUT)} = \frac{I_{OUT}}{2 \times \frac{V_{IN(MIN)}}{V_{OUT}}} = \frac{2.0\text{A}}{2 \times \frac{3\text{V}}{12\text{V}}} = 4\text{A} \quad (30)$$

Assuming 60 mΩ of ESR per output capacitor, the output voltage ripple at the minimum input voltage is calculated as follows:

$$V_{\text{RIPPLE\_MAX(COUT)}} = \frac{I_{\text{OUT}}}{\frac{V_{\text{IN(MIN)}}}{V_{\text{OUT}}}} \times \left( R_{\text{ESR}} + \frac{1}{4 \times C_{\text{OUT}} \times f_{\text{SW}}} \right) = \frac{2.0\text{A}}{\frac{3\text{V}}{12\text{V}}} \times \left( \frac{60\text{m}\Omega}{3} + \frac{1}{4 \times 3 \times 330 \mu\text{F} \times 250 \text{kHz}} \right) = 0.168\text{V} \quad (31)$$

In practice, four 10 μF ceramic capacitors are additionally placed before the bulk aluminum capacitors to reduce the output voltage ripple and share the output ripple current.

### 8.2.2.8 Input Capacitor $C_{\text{IN}}$

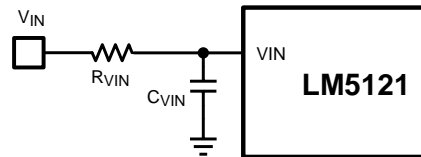
The input capacitors smooth the input voltage ripple. Assuming high quality ceramic capacitors are used for the input capacitors, the maximum input voltage ripple which occurs when the input voltage is half of the output voltage can be calculated as follows:

$$V_{\text{RIPPLE\_MAX(CIN)}} = \frac{V_{\text{OUT}}}{32 \times L_{\text{IN}} \times C_{\text{IN}} \times f_{\text{SW}}^2} = \frac{12\text{V}}{32 \times 10 \mu\text{H} \times 4 \times 3.3 \mu\text{F} \times 250 \text{kHz}^2} = 0.045\text{V} \quad (32)$$

The value of input capacitor is also a function of source impedance, the impedance of source power supply. More input capacitor will be required to prevent a chatter condition during power up if the impedance of source power supply is not low.

### 8.2.2.9 VIN Filter $R_{\text{VIN}}$ , $C_{\text{VIN}}$

An R-C filter ( $R_{\text{VIN}}$ ,  $C_{\text{VIN}}$ ) on the VIN pin is optional. It is not required if the  $C_{\text{IN}}$  capacitors are high quality ceramic capacitors and placed physically close to the device. The filter helps to prevent faults caused by high frequency switching noise injection into the VIN pin. A 0.47 μF ceramic capacitor is used this example. Recommended filter values are 3 Ω for  $R_{\text{VIN}}$  and 0.47 μF for  $C_{\text{VIN}}$ . A larger filter with 2.2 μ to 4.7 μF  $C_{\text{VIN}}$  is recommended when the input voltage is lower than 8 V or when the required duty cycle is close to the maximum duty cycle limit.



**Figure 41. VIN Filter**

### 8.2.2.10 Bootstrap Capacitor $C_{\text{BST}}$ and Boost Diode $D_{\text{BST}}$

The bootstrap capacitor between the BST and SW pins supplies the gate current to charge the high-side N-channel MOSFET gate during each turn-on cycle and also supplies recovery charge for the bootstrap diode. The peak current can be several amperes. The recommended value of the bootstrap capacitor is 0.1 μF.  $C_{\text{BST}}$  should be a good quality, low ESR, ceramic capacitor located at the pins of the device to minimize potentially damaging voltage transients caused by trace inductance. The minimum value for the bootstrap capacitor is calculated as follows:

$$C_{\text{BST}} = \frac{Q_{\text{G}}}{\Delta V_{\text{BST}}} [\text{F}] \quad (33)$$

Where  $Q_{\text{G}}$  is the high-side N-channel MOSFET gate charge and  $\Delta V_{\text{BST}}$  is the tolerable voltage droop on  $C_{\text{BST}}$ , which is typically less than 5% of VCC or conservatively 0.15 V. In this example, the value of the BST capacitor ( $C_{\text{BST}}$ ) is 0.1 μF.

The voltage rating of  $D_{\text{BST}}$  should be greater than the peak SW node voltage plus 16 V. A low leakage diode is mandatory for bypass operation. The leakage current of  $D_{\text{BST}}$  should be low enough for the BST charge pump to maintain a sufficient high-side driver supply voltage at high temperature. A low leakage diode also prevents the possibility of excessive VCC voltage during shutdown, in high output voltage applications. If the diode leakage is excessive, a zener clamp or bleed resistor may be required on VCC. High-side driver supply voltage should be greater than the high-side N-channel MOSFET switch gate plateau at the minimum input voltage.

### 8.2.2.11 VCC Capacitor $C_{VCC}$

The primary purpose of the VCC capacitor is to supply the peak transient currents of the LO driver and bootstrap diode as well as to provide stability for the VCC regulator. The peak driver currents can be several amperes. The value of  $C_{VCC}$  should be at least 10 times greater than the value of  $C_{BST}$ , and should be a good quality, low ESR, ceramic capacitor.  $C_{VCC}$  should be placed close to the pins of the IC to minimize potentially damaging voltage transients caused by trace inductance. A value of 4.7  $\mu\text{F}$  was selected for this design example.

### 8.2.2.12 Output Voltage Divider $R_{FB1}$ , $R_{FB2}$

$R_{FB1}$  and  $R_{FB2}$  set the output voltage level. The ratio of these resistors is calculated as follows:

$$\frac{R_{FB2}}{R_{FB1}} = \frac{V_{OUT}}{1.2V} - 1 \quad (34)$$

The ratio between  $R_{COMP}$  and  $R_{FB2}$  determines the mid-band gain,  $A_{FB\_MID}$ . A larger value for  $R_{FB2}$  may require a corresponding larger value for  $R_{COMP}$ .  $R_{FB2}$  should be large enough to keep the total divider power dissipation small. A 49.9 k $\Omega$  in series with 681  $\Omega$  was chosen for high-side feedback resistors in this example, which results in a  $R_{FB1}$  value of 5.62 k $\Omega$  for 12 V output.

### 8.2.2.13 Soft-Start Capacitor $C_{SS}$

The soft-start time ( $t_{SS}$ ) is the time required for the output voltage set point to reach the target voltage from the input voltage. The soft-start time is not only proportional to the soft-start capacitor, but also depends on the input voltage. With 0.1  $\mu\text{F}$  for  $C_{SS}$ , the soft-start time is calculated as follows:

$$t_{SS(MAX)} = \frac{C_{SS} \times 1.2V}{I_{SS}} \times \left(1 - \frac{V_{IN(STARTUP)}}{V_{OUT}}\right) = \frac{0.1 \mu\text{F} \times 1.2V}{10 \mu\text{A}} \times \left(1 - \frac{5.7V}{12V}\right) = 6.3 \text{ msec} \quad (35)$$

### 8.2.2.14 Restart Capacitor $C_{RES}$

The restart capacitor determines the restart delay time  $t_{RD}$  and hiccup mode off time  $t_{RES}$  (see [Figure 27](#)).  $t_{RD}$  should be greater than  $t_{SS(MAX)}$ . The minimum required value of  $C_{RES}$  can be calculated at the low input voltage as follows:

$$C_{RES(MIN)} = \frac{I_{RES} \times t_{SS(MAX)}}{V_{RES}} = \frac{30 \mu\text{A} \times 6.3 \text{ msec}}{1.2V} = 0.16 \mu\text{F} \quad (36)$$

A standard value of 0.18  $\mu\text{F}$  is selected for  $C_{RES}$ .

### 8.2.2.15 Low-Side Power Switch $Q_L$

Breaking down the various losses is one way to compare the relative efficiencies of different N-channel MOSFET devices. Losses in the low-side N-channel MOSFET device can be separated into conduction loss and switching loss.

Low-side conduction loss is approximated calculated as follows:

$$P_{COND(LS)} = D \times I_{IN}^2 \times R_{DS\_ON(LS)} \times 1.3 = \left(1 - \frac{V_{IN}}{V_{OUT}}\right) \times \left(\frac{I_{OUT} \times V_{OUT}}{V_{IN}}\right)^2 \times R_{DS\_ON(LS)} \times 1.3 [W] \quad (37)$$

Where D is the duty cycle and the factor of 1.3 accounts for the increase in the N-channel MOSFET device on-resistance due to heating. Alternatively, the factor of 1.3 can be eliminated and the high temperature on-resistance of the N-channel MOSFET device can be estimated using the  $R_{DS(ON)}$  vs temperature curves in the N-channel MOSFET datasheet.

Switching loss occurs during the brief transition period as the low-side N-channel MOSFET device turns on and off. During the transition period both current and voltage are present in the channel of the N-channel MOSFET device. The low-side switching loss is approximated as follows:

$$P_{SW(LS)} = 0.5 \times V_{OUT} \times I_{IN} \times (t_R + t_F) \times f_{SW} [W] \quad (38)$$

$t_R$  and  $t_F$  are the rise and fall times of the low-side N-channel MOSFET device. The rise and fall times are usually mentioned in the N-channel MOSFET datasheet or can be empirically observed with an oscilloscope.

An additional Schottky diode can be placed in parallel with the low-side N-channel MOSFET switch, with short connections to the source and drain in order to minimize negative voltage spikes at the SW node.

### 8.2.2.16 High-Side Power Switch $Q_H$ and Additional Parallel Schottky Diode

Losses in the high-side N-channel MOSFET device can be separated into conduction loss, dead-time loss and reverse recovery loss. Switching loss is calculated only for the low-side N-channel MOSFET device. Switching loss in the high-side N-channel MOSFET device is negligible because the body diode of the high-side N-channel MOSFET device turns on before and after the high-side N-channel MOSFET switches.

High-side conduction loss is approximated as follows:

$$P_{\text{COND(HS)}} = (1-D) \times I_{\text{IN}}^2 \times R_{\text{DS\_ON(HS)}} \times 1.3 = \left( \frac{V_{\text{IN}}}{V_{\text{OUT}}} \right) \times \left( \frac{I_{\text{OUT}} \times V_{\text{OUT}}}{V_{\text{IN}}} \right)^2 \times R_{\text{DS\_ON(HS)}} \times 1.3 [\text{W}] \quad (39)$$

Dead-time loss is approximated as follows:

$$P_{\text{DT(HS)}} = V_D \times I_{\text{IN}} \times (t_{\text{DLH}} + t_{\text{DHL}}) \times f_{\text{SW}} [\text{W}]$$

where

- $V_D$  is the forward voltage drop of the high-side N-channel MOSFET body diode. (40)

Reverse recovery characteristics of the high-side N-channel MOSFET strongly influences efficiency, especially when the output voltage is high. Smaller reverse recovery charge helps to increase the efficiency while also minimizing switching noise.

Reverse recovery loss is approximated as follows:

$$P_{\text{RR(HS)}} = V_{\text{OUT}} \times Q_{\text{RR}} \times f_{\text{SW}} [\text{W}]$$

where

- $Q_{\text{RR}}$  is the reverse recovery charge of the high-side N-channel MOSFET body diode. (41)

An additional Schottky diode can be placed in parallel with the high-side switch to improve efficiency. Usually, the power rating of this parallel Schottky diode can be less than the high-side switch ratings because the diode conducts only during dead-times. The power rating of the parallel diode should be equivalent or higher than high-side switch ratings if bypass operation is required, hiccup mode operation is required or a heavy load exists before the controller begins switching.

### 8.2.2.17 Snubber Components

A resistor-capacitor snubber network across the high-side N-channel MOSFET device reduces ringing and spikes at the switching node. Excessive ringing and spikes can cause erratic operation and can couple noise to the output. Selecting the values for the snubber is best accomplished through empirical methods. First, make sure the lead lengths for the snubber connections are very short. Start with a resistor value between 5 and 50  $\Omega$ . Increasing the value of the snubber capacitor results in more damping, but this also increases snubber losses. Select a minimum value for the snubber capacitor that provides adequate damping of the spikes on the switch waveform at heavy load. A snubber may not be necessary with an optimized layout.

### 8.2.2.18 Disconnect Switch $Q_D$ Selection

The N-channel MOSFET disconnection switch ( $Q_D$ ) should be selected based on the following criteria:

- The  $BV_{\text{DSS}}$  rating must be greater than the maximum input voltage, plus ringing and transients.
- The safe operating area (SOA) and the thermal properties should be considered. If required, limit the rise time of the input power supply or the maximum start-up input voltage.
- Absolute maximum rating of  $V_{\text{GS}}$  should be greater than 18 V.
- If the minimum  $V_{\text{IN}}$  voltage is less than 6.5 V, a logic level MOSFET should be used.
- The plateau voltage during inrush current limiting is recommended to be less than  $V_{\text{GS-DET}}$ . If the  $V_{\text{PLATEAU}}$  is greater than  $V_{\text{GS-DET}}$ , boost switching might start before finishing the inrush limiting.

### 8.2.2.19 Freewheeling Diode $D_F$ Selection

If  $Q_D$  turns off quickly by the circuit breaker function, the inductor current continues flowing through a freewheeling diode ( $D_F$ ).  $D_F$  should have enough capability to handle  $150 \text{ mV}/R_S$  of peak current during inductor current decay and the voltage rating must be greater than the maximum input voltage, plus ringing and transients. The inductor current decay time is calculated from Equation 42.

$$t_{DF} = \frac{L_{IN} \times 0.15}{R_S \times (V_{OUT} - V_{IN})} \quad [\text{sec}] \quad (42)$$

### 8.2.2.20 Loop Compensation Components $C_{COMP}$ , $R_{COMP}$ , $C_{HF}$

$R_{COMP}$ ,  $C_{COMP}$  and  $C_{HF}$  configure the error amplifier gain and phase characteristics to produce a stable voltage loop. For a quick start, follow the 4 steps listed below:

1. Select  $f_{CROSS}$

Select the cross over frequency ( $f_{CROSS}$ ) at one fourth of the RHP zero or one tenth of the switching frequency whichever is lower.

$$\frac{f_{SW}}{10} = 25 \text{ kHz} \quad (43)$$

$$\frac{f_{Z\_RHP}}{4} = \frac{R_{LOAD} \times (D')^2}{4 \times 2\pi \times L_{IN\_EQ}} = \frac{\frac{V_{OUT}}{I_{OUT}} \times \left(\frac{V_{IN}}{V_{OUT}}\right)^2}{4 \times 2\pi \times L_{IN\_EQ}} = 13.4 \text{ kHz} \quad (44)$$

A 13.4 kHz crossover frequency is selected. RHP zero at minimum input voltage should be considered if the input voltage range is wide.

2. Determine required  $R_{COMP}$

Knowing  $f_{CROSS}$ ,  $R_{COMP}$  is calculated as follows:

$$R_{COMP} = f_{CROSS} \times \pi \times R_S \times R_{FB2} \times 10 \times C_{OUT} \times \frac{V_{OUT}}{V_{IN}} = 200 \text{ k}\Omega \quad (45)$$

A standard value of 200 k $\Omega$  is selected for  $R_{COMP}$

3. Determine  $C_{COMP}$  to cancel load pole. Place the error amplifier zero at twice the load pole frequency. Knowing  $R_{COMP}$ ,  $C_{COMP}$  is calculated as follows:

$$C_{COMP} = \frac{R_{LOAD} \times C_{OUT}}{4 \times R_{COMP}} = 7.6 \text{ nF} \quad (46)$$

A standard value of 8.2 nF is selected for  $C_{COMP}$

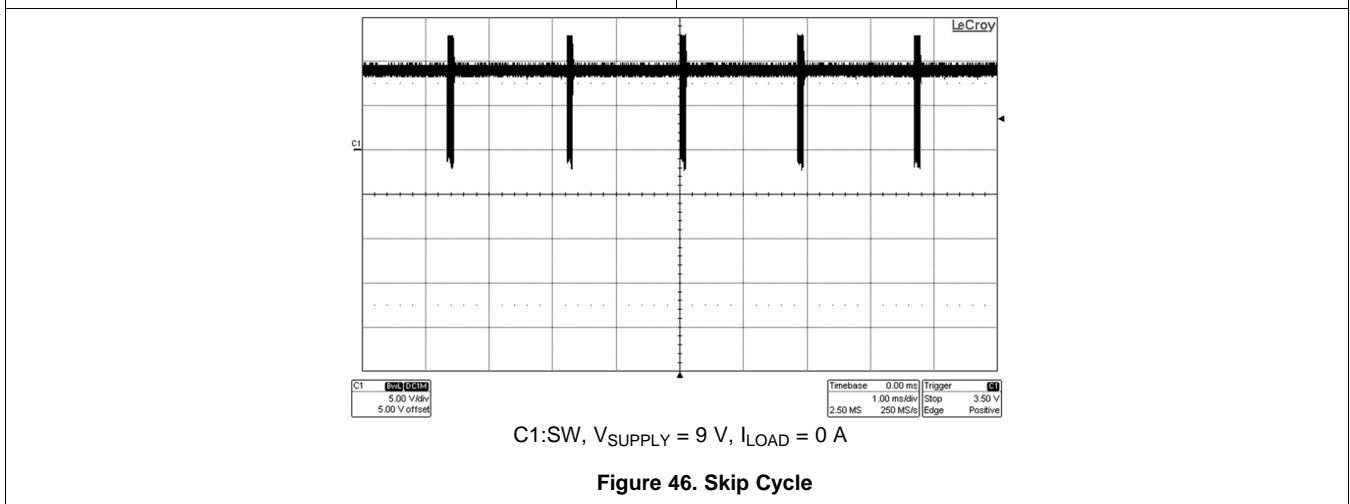
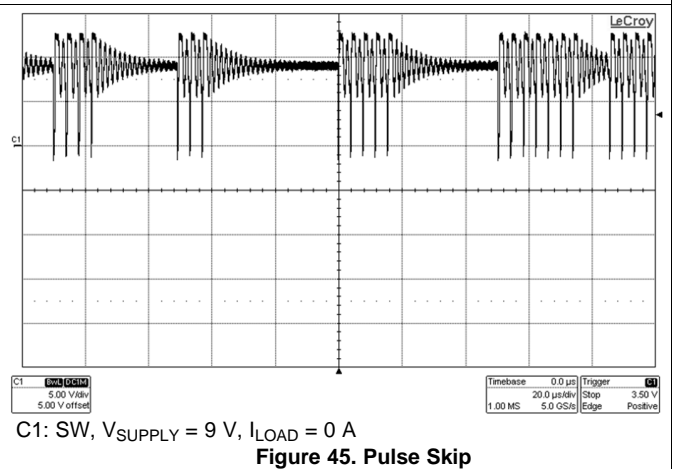
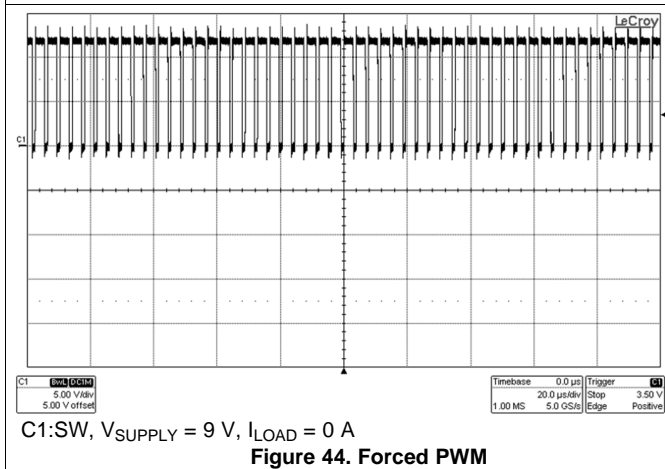
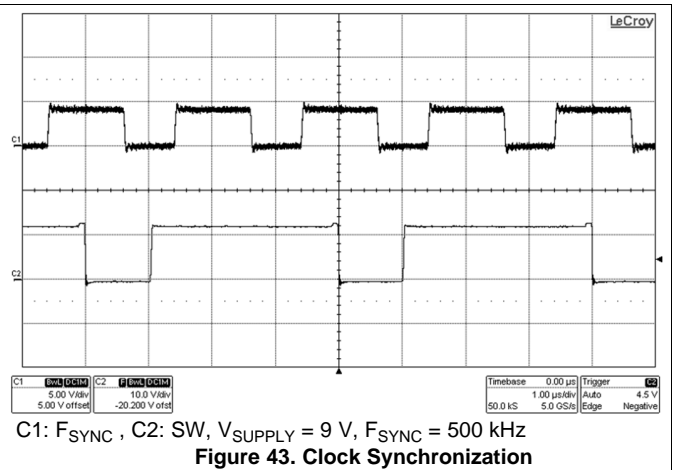
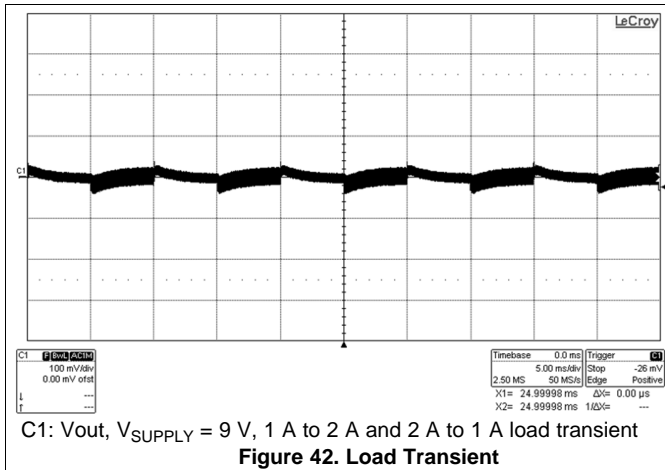
4. Determine  $C_{HF}$  to cancel the ESR zero.

Knowing  $R_{COMP}$ ,  $R_{ESR}$  and  $C_{COMP}$ ,  $C_{HF}$  is calculated as follows:

$$C_{HF} = \frac{R_{ESR} \times C_{OUT} \times C_{COMP}}{R_{COMP} \times C_{COMP} - R_{ESR} \times C_{OUT}} = 103 \text{ pF} \quad (47)$$

A standard value of 100 pF is selected for  $C_{HF}$

8.2.3 Application Curves





## 9 Power Supply Recommendations

LM5121 is a power management device. The power supply for the device is any DC voltage source within the specified input range.

## 10 Layout

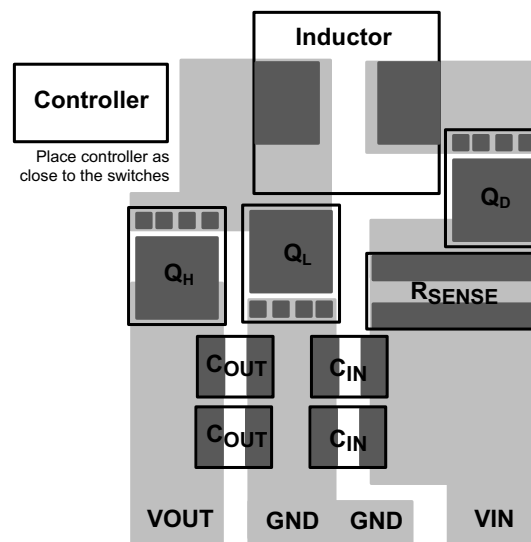
### 10.1 Layout Guidelines

In a boost regulator, the primary switching loop consists of the output capacitor and N-channel MOSFET power switches. Minimizing the area of this loop reduces the stray inductance and minimizes noise. Especially, placing high quality ceramic output capacitors as close to this loop earlier than bulk aluminum output capacitors minimizes output voltage ripple and ripple current of the aluminum capacitors.

In order to prevent a  $dv/dt$  induced turn-on of high-side switch, HO and SW should be connected to the gate and source of the high-side synchronous N-channel MOSFET switch through short and low inductance paths. In FPWM mode, the  $dv/dt$  induced turn-on can occur on the low-side switch. LO and PGND should be connected to the gate and source of the low-side N-channel MOSFET through short and low inductance paths. All of the power ground connections should be connected to a single point. Also, all of the noise sensitive low power ground connections should be connected together near the AGND pin and a single connection should be made to the single point PGND. CSP and CSN are high impedance pins and noise sensitive. CSP and CSN traces should be routed together with kelvin connections to the current sense resistor as short as possible. If needed, place 100-pF ceramic filter capacitor as close to the device. MODE pin is also high impedance and noise sensitive. If an external pull-up or pull-down resistor is used at MODE pin, the resistor should be placed as close to the device. VCC, VIN and BST capacitor must be as physically close as possible to the device.

The LM5121 has an exposed thermal pad to aid power dissipation. Adding several vias under the exposed pad helps conduct heat away from the device. The junction to ambient thermal resistance varies with application. The most significant variables are the area of copper in the PC board, the number of vias under the exposed pad and the amount of forced air cooling. The integrity of the solder connection from the device exposed pad to the PC board is critical. Excessive voids greatly decrease the thermal dissipation capacity. The highest power dissipating components are the two power switches. Selecting N-channel MOSFET switches with exposed pads aids the power dissipation of these devices.

### 10.2 Layout Example



**Figure 47. Power Path Layout**



## 11 Device and Documentation Support

### 11.1 Related Links

The table below lists quick access links. Categories include technical documents, support and community resources, tools and software, and quick access to sample or buy.

**Table 2. Related Links**

PARTS	PRODUCT FOLDER	SAMPLE & BUY	TECHNICAL DOCUMENTS	TOOLS & SOFTWARE	SUPPORT & COMMUNITY
LM5121	<a href="#">Click here</a>	<a href="#">Click here</a>	<a href="#">Click here</a>	<a href="#">Click here</a>	<a href="#">Click here</a>
LM5121-Q1	<a href="#">Click here</a>	<a href="#">Click here</a>	<a href="#">Click here</a>	<a href="#">Click here</a>	<a href="#">Click here</a>

### 11.2 Trademarks

All trademarks are the property of their respective owners.

### 11.3 Electrostatic Discharge Caution



These devices have limited built-in ESD protection. The leads should be shorted together or the device placed in conductive foam during storage or handling to prevent electrostatic damage to the MOS gates.

### 11.4 Glossary

[SLYZ022](#) — *TI Glossary*.

This glossary lists and explains terms, acronyms, and definitions.

## 12 Mechanical, Packaging, and Orderable Information

The following pages include mechanical, packaging, and orderable information. This information is the most current data available for the designated devices. This data is subject to change without notice and revision of this document. For browser-based versions of this data sheet, refer to the left-hand navigation.

**PACKAGING INFORMATION**

Orderable Device	Status (1)	Package Type	Package Drawing	Pins	Package Qty	Eco Plan (2)	Lead/Ball Finish (6)	MSL Peak Temp (3)	Op Temp (°C)	Device Marking (4/5)	Samples
LM5121MH/NOPB	ACTIVE	HTSSOP	PWP	20	73	Green (RoHS & no Sb/Br)	CU SN	Level-1-260C-UNLIM	-40 to 125	LM5121 MH	<a href="#">Samples</a>
LM5121MHE/NOPB	ACTIVE	HTSSOP	PWP	20	250	Green (RoHS & no Sb/Br)	CU SN	Level-1-260C-UNLIM	-40 to 125	LM5121 MH	<a href="#">Samples</a>
LM5121MHX/NOPB	ACTIVE	HTSSOP	PWP	20	2500	Green (RoHS & no Sb/Br)	CU SN	Level-1-260C-UNLIM	-40 to 125	LM5121 MH	<a href="#">Samples</a>
LM5121QMH/NOPB	ACTIVE	HTSSOP	PWP	20	73	Green (RoHS & no Sb/Br)	CU SN	Level-1-260C-UNLIM	-40 to 125	LM5121 QMH	<a href="#">Samples</a>
LM5121QMHE/NOPB	ACTIVE	HTSSOP	PWP	20	250	Green (RoHS & no Sb/Br)	CU SN	Level-1-260C-UNLIM	-40 to 125	LM5121 QMH	<a href="#">Samples</a>
LM5121QMHX/NOPB	ACTIVE	HTSSOP	PWP	20	2500	Green (RoHS & no Sb/Br)	CU SN	Level-1-260C-UNLIM	-40 to 125	LM5121 QMH	<a href="#">Samples</a>

(1) The marketing status values are defined as follows:

**ACTIVE:** Product device recommended for new designs.

**LIFEBUY:** TI has announced that the device will be discontinued, and a lifetime-buy period is in effect.

**NRND:** Not recommended for new designs. Device is in production to support existing customers, but TI does not recommend using this part in a new design.

**PREVIEW:** Device has been announced but is not in production. Samples may or may not be available.

**OBSELETE:** TI has discontinued the production of the device.

(2) Eco Plan - The planned eco-friendly classification: Pb-Free (RoHS), Pb-Free (RoHS Exempt), or Green (RoHS & no Sb/Br) - please check <http://www.ti.com/productcontent> for the latest availability information and additional product content details.

**TBD:** The Pb-Free/Green conversion plan has not been defined.

**Pb-Free (RoHS):** TI's terms "Lead-Free" or "Pb-Free" mean semiconductor products that are compatible with the current RoHS requirements for all 6 substances, including the requirement that lead not exceed 0.1% by weight in homogeneous materials. Where designed to be soldered at high temperatures, TI Pb-Free products are suitable for use in specified lead-free processes.

**Pb-Free (RoHS Exempt):** This component has a RoHS exemption for either 1) lead-based flip-chip solder bumps used between the die and package, or 2) lead-based die adhesive used between the die and leadframe. The component is otherwise considered Pb-Free (RoHS compatible) as defined above.

**Green (RoHS & no Sb/Br):** TI defines "Green" to mean Pb-Free (RoHS compatible), and free of Bromine (Br) and Antimony (Sb) based flame retardants (Br or Sb do not exceed 0.1% by weight in homogeneous material)

(3) MSL, Peak Temp. - The Moisture Sensitivity Level rating according to the JEDEC industry standard classifications, and peak solder temperature.

(4) There may be additional marking, which relates to the logo, the lot trace code information, or the environmental category on the device.

(5) Multiple Device Markings will be inside parentheses. Only one Device Marking contained in parentheses and separated by a "~" will appear on a device. If a line is indented then it is a continuation of the previous line and the two combined represent the entire Device Marking for that device.

<sup>(6)</sup> Lead/Ball Finish - Orderable Devices may have multiple material finish options. Finish options are separated by a vertical ruled line. Lead/Ball Finish values may wrap to two lines if the finish value exceeds the maximum column width.

**Important Information and Disclaimer:** The information provided on this page represents TI's knowledge and belief as of the date that it is provided. TI bases its knowledge and belief on information provided by third parties, and makes no representation or warranty as to the accuracy of such information. Efforts are underway to better integrate information from third parties. TI has taken and continues to take reasonable steps to provide representative and accurate information but may not have conducted destructive testing or chemical analysis on incoming materials and chemicals. TI and TI suppliers consider certain information to be proprietary, and thus CAS numbers and other limited information may not be available for release.

In no event shall TI's liability arising out of such information exceed the total purchase price of the TI part(s) at issue in this document sold by TI to Customer on an annual basis.

**OTHER QUALIFIED VERSIONS OF LM5121, LM5121-Q1 :**

- Catalog: [LM5121](#)
- Automotive: [LM5121-Q1](#)

NOTE: Qualified Version Definitions:

- Catalog - TI's standard catalog product
- Automotive - Q100 devices qualified for high-reliability automotive applications targeting zero defects

**TAPE AND REEL INFORMATION**

**QUADRANT ASSIGNMENTS FOR PIN 1 ORIENTATION IN TAPE**


\*All dimensions are nominal

Device	Package Type	Package Drawing	Pins	SPQ	Reel Diameter (mm)	Reel Width W1 (mm)	A0 (mm)	B0 (mm)	K0 (mm)	P1 (mm)	W (mm)	Pin1 Quadrant
LM5121MHE/NOPB	HTSSOP	PWP	20	250	178.0	16.4	6.95	7.1	1.6	8.0	16.0	Q1
LM5121MHX/NOPB	HTSSOP	PWP	20	2500	330.0	16.4	6.95	7.1	1.6	8.0	16.0	Q1
LM5121QMHE/NOPB	HTSSOP	PWP	20	250	178.0	16.4	6.95	7.1	1.6	8.0	16.0	Q1
LM5121QMHX/NOPB	HTSSOP	PWP	20	2500	330.0	16.4	6.95	7.1	1.6	8.0	16.0	Q1

## TAPE AND REEL BOX DIMENSIONS



\*All dimensions are nominal

Device	Package Type	Package Drawing	Pins	SPQ	Length (mm)	Width (mm)	Height (mm)
LM5121MHE/NOPB	HTSSOP	PWP	20	250	210.0	185.0	35.0
LM5121MHX/NOPB	HTSSOP	PWP	20	2500	367.0	367.0	35.0
LM5121QMHE/NOPB	HTSSOP	PWP	20	250	210.0	185.0	35.0
LM5121QMHX/NOPB	HTSSOP	PWP	20	2500	367.0	367.0	35.0

PWP0020A



MXA20A (Rev C)

## IMPORTANT NOTICE

Texas Instruments Incorporated and its subsidiaries (TI) reserve the right to make corrections, enhancements, improvements and other changes to its semiconductor products and services per JESD46, latest issue, and to discontinue any product or service per JESD48, latest issue. Buyers should obtain the latest relevant information before placing orders and should verify that such information is current and complete. All semiconductor products (also referred to herein as "components") are sold subject to TI's terms and conditions of sale supplied at the time of order acknowledgment.

TI warrants performance of its components to the specifications applicable at the time of sale, in accordance with the warranty in TI's terms and conditions of sale of semiconductor products. Testing and other quality control techniques are used to the extent TI deems necessary to support this warranty. Except where mandated by applicable law, testing of all parameters of each component is not necessarily performed.

TI assumes no liability for applications assistance or the design of Buyers' products. Buyers are responsible for their products and applications using TI components. To minimize the risks associated with Buyers' products and applications, Buyers should provide adequate design and operating safeguards.

TI does not warrant or represent that any license, either express or implied, is granted under any patent right, copyright, mask work right, or other intellectual property right relating to any combination, machine, or process in which TI components or services are used. Information published by TI regarding third-party products or services does not constitute a license to use such products or services or a warranty or endorsement thereof. Use of such information may require a license from a third party under the patents or other intellectual property of the third party, or a license from TI under the patents or other intellectual property of TI.

Reproduction of significant portions of TI information in TI data books or data sheets is permissible only if reproduction is without alteration and is accompanied by all associated warranties, conditions, limitations, and notices. TI is not responsible or liable for such altered documentation. Information of third parties may be subject to additional restrictions.

Resale of TI components or services with statements different from or beyond the parameters stated by TI for that component or service voids all express and any implied warranties for the associated TI component or service and is an unfair and deceptive business practice. TI is not responsible or liable for any such statements.

Buyer acknowledges and agrees that it is solely responsible for compliance with all legal, regulatory and safety-related requirements concerning its products, and any use of TI components in its applications, notwithstanding any applications-related information or support that may be provided by TI. Buyer represents and agrees that it has all the necessary expertise to create and implement safeguards which anticipate dangerous consequences of failures, monitor failures and their consequences, lessen the likelihood of failures that might cause harm and take appropriate remedial actions. Buyer will fully indemnify TI and its representatives against any damages arising out of the use of any TI components in safety-critical applications.

In some cases, TI components may be promoted specifically to facilitate safety-related applications. With such components, TI's goal is to help enable customers to design and create their own end-product solutions that meet applicable functional safety standards and requirements. Nonetheless, such components are subject to these terms.

No TI components are authorized for use in FDA Class III (or similar life-critical medical equipment) unless authorized officers of the parties have executed a special agreement specifically governing such use.

Only those TI components which TI has specifically designated as military grade or "enhanced plastic" are designed and intended for use in military/aerospace applications or environments. Buyer acknowledges and agrees that any military or aerospace use of TI components which have **not** been so designated is solely at the Buyer's risk, and that Buyer is solely responsible for compliance with all legal and regulatory requirements in connection with such use.

TI has specifically designated certain components as meeting ISO/TS16949 requirements, mainly for automotive use. In any case of use of non-designated products, TI will not be responsible for any failure to meet ISO/TS16949.

### Products

Audio	<a href="http://www.ti.com/audio">www.ti.com/audio</a>
Amplifiers	<a href="http://amplifier.ti.com">amplifier.ti.com</a>
Data Converters	<a href="http://dataconverter.ti.com">dataconverter.ti.com</a>
DLP® Products	<a href="http://www.dlp.com">www.dlp.com</a>
DSP	<a href="http://dsp.ti.com">dsp.ti.com</a>
Clocks and Timers	<a href="http://www.ti.com/clocks">www.ti.com/clocks</a>
Interface	<a href="http://interface.ti.com">interface.ti.com</a>
Logic	<a href="http://logic.ti.com">logic.ti.com</a>
Power Mgmt	<a href="http://power.ti.com">power.ti.com</a>
Microcontrollers	<a href="http://microcontroller.ti.com">microcontroller.ti.com</a>
RFID	<a href="http://www.ti-rfid.com">www.ti-rfid.com</a>
OMAP Applications Processors	<a href="http://www.ti.com/omap">www.ti.com/omap</a>
Wireless Connectivity	<a href="http://www.ti.com/wirelessconnectivity">www.ti.com/wirelessconnectivity</a>

### Applications

Automotive and Transportation	<a href="http://www.ti.com/automotive">www.ti.com/automotive</a>
Communications and Telecom	<a href="http://www.ti.com/communications">www.ti.com/communications</a>
Computers and Peripherals	<a href="http://www.ti.com/computers">www.ti.com/computers</a>
Consumer Electronics	<a href="http://www.ti.com/consumer-apps">www.ti.com/consumer-apps</a>
Energy and Lighting	<a href="http://www.ti.com/energy">www.ti.com/energy</a>
Industrial	<a href="http://www.ti.com/industrial">www.ti.com/industrial</a>
Medical	<a href="http://www.ti.com/medical">www.ti.com/medical</a>
Security	<a href="http://www.ti.com/security">www.ti.com/security</a>
Space, Avionics and Defense	<a href="http://www.ti.com/space-avionics-defense">www.ti.com/space-avionics-defense</a>
Video and Imaging	<a href="http://www.ti.com/video">www.ti.com/video</a>

### TI E2E Community

[e2e.ti.com](http://e2e.ti.com)