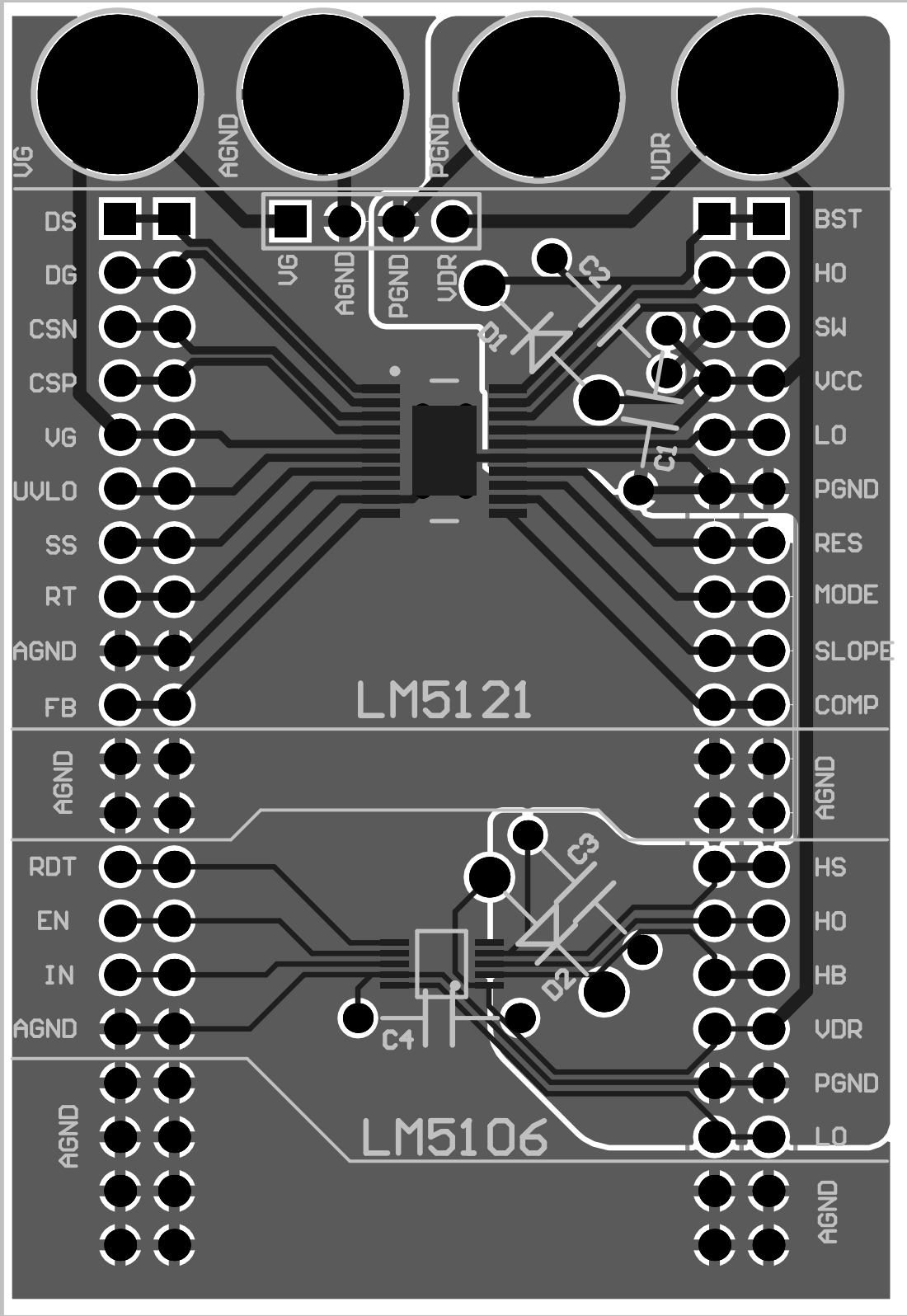


Title		
Size	Number	Revision
A		
Date:	2/9/2016	Sheet of
File:	E:\Dropbox\.\BOB-Schem.SchDoc	Drawn By:



Comment	Description	Designator	Footprint	LibRef	Quantity
Cap	Capacitor	C1, C2, C3, C4	Axial C	Cap	4
Diode		D1, D2	Axial D	Diode	2
Header 4	Header, 4-Pin	P1	HDR1X4	Header 4	1
Header 20	Header, 20-Pin	P2, P3, P4, P5	HDR1X20	Header 20	4
Banana Jack	575-8	U1, U2, U3, U4	Banana Jack	Banana Jack	4
LM5121	V/I Boost Controller With Disconnect	U5	LM5121	LM5121	1
LM5106	Gate Driver 100V Adapti	U6	LM5106	LM5106	1