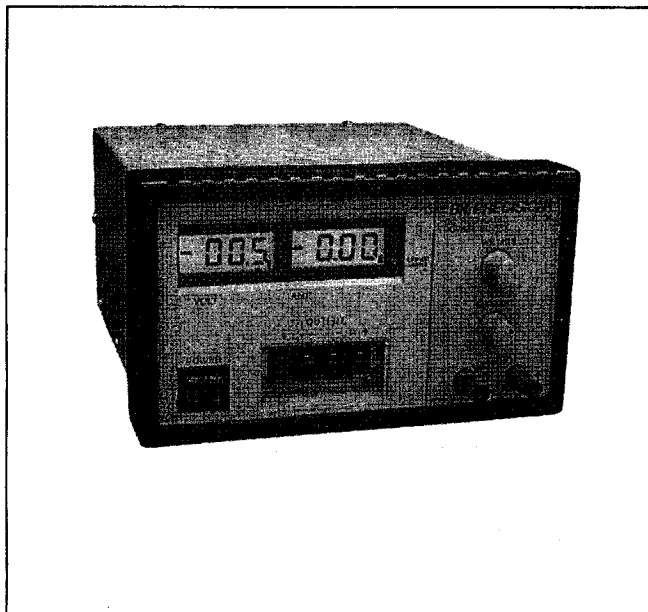


INSTRUCTION MANUAL

 **BK PRECISION**

MODEL 1671A



INSTRUCTION MANUAL MODEL 1671A Triple Output DC POWER SUPPLY

 **BK PRECISION®**

TEST INSTRUMENT SAFETY

WARNING

An electrical shock causing 10 milliamps of current to pass through the heart will stop most human heartbeats. Voltage as low as 35 volts dc or ac rms should be considered dangerous and hazardous since it can produce a lethal current under certain conditions.:

1. There is little danger of electrical shock from the dc output of this power supply. However, if the equipment under uses high voltage in any of its circuits a shock hazard may be present.
2. Use only a polarized 3-wire ac outlet. This assures that the power supply chassis and case are connected to a good earth ground and reduces danger from electrical shock

TABLE OF CONTENTS

| | Page | | Page |
|--|--------------------|--|------|
| TEST INSTRUMENT SAFETY | inside front cover | Constant Voltage/Current Characteristics | 9 |
| INTRODUCTION | 1 | 12 Vdc Output | 9 |
| SPECIFICATIONS | 2 | 5 Vdc Output | 10 |
| CONTROLS AND INDICATORS | 5 | Dual or Triple Output | 10 |
| OPERATING INSTRUCTIONS | 7 | Connecting Outputs in Series | 10 |
| Safety Precautions | 7 | MAINTENANCE | 12 |
| Equipment Protection Precautions | 7 | Fuse Replacement | 12 |
| Power Supply Hook-up and Operation | 7 | Instrument Repair Service | 12 |
| Variable Voltage Output | 7 | WARRANTY SERVICE INSTRUCTIONS | 13 |
| Typical Constant Voltage Output | 8 | LIMITED ONE-YEAR WARRANTY | 14 |
| Setting Current Limit | 8 | CUSTOMER SUPPORT | 15 |
| Typical Constant Current Operation | 8 | | |

INTRODUCTION

The **B+K PRECISION Model 1671A** is a general purpose triple output DC power supply. The main output is a versatile constant voltage or constant current regulated power source that is variable from 0 to 30 volts and 0 to 5.0 amps. An indicator lights in the constant current mode, and serves as an overload indicator in the constant voltage mode.

While the Model 1671A is competitively priced with most single output power supplies, it has the added advantage of fixed 5 volt and 12 volt outputs capable of providing up to 0.5 amp each. One common application for this power supply is powering of circuit boards while troubleshooting. Many circuit boards require two or three input voltages, with the most common values being 5 volts and 12 volts. This power supply can provide up to three outputs simultaneously. Since each output is fully isolated, any output can be connected for positive or negative polarity.

The main output voltage and current are continuously monitored by two digital LCD meters with resolution of 0.1 volt and 0.01 amp.

The Model 1671A can operate continuously at its maximum rated output and is fully overload protected.

This manual provides the information to help assure the maximum performance and longest life for your power supply.

SPECIFICATIONS

OUTPUT NO. 1

VOLTAGE

Variable 0 - 30 VDC

CURRENT

0 to 5 Amps

POLARITY

Positive or Negative

CONNECTORS

Binding Posts

REGULATION TYPE

Constant Voltage or Constant Current

CONSTANT VOLTAGE MODE

LOAD REGULATION (0 to rated output)

$\leq 0.05\% + 10 \text{ mV}$

LINE REGULATION (108 TO 132 VAC)

$\leq 0.05\% + 10 \text{ mV}$

RIPPLE AND NOISE

$\leq 5 \text{ mV rms}$

CONSTANT CURRENT MODE

LOAD REGULATION

$\leq 0.4\% + 10 \text{ mA}$

LINE REGULATION (108 TO 132 VAC)

$\leq 0.4\% + 10 \text{ mA}$

RIPPLE AND NOISE

$\leq 10 \text{ mA rms}$

PROTECTION

Current limiting, short circuit protection, reverse polarity protection

VOLTAGE INDICATOR

3 digit LCD

VOLTAGE RESOLUTION

0.1 V

VOLTAGE ACCURACY

$\pm(1\% \text{reading} + 2 \text{ digit})$

CURRENT INDICATOR

3 digit LCD

AMMETER RESOLUTION

$\pm 0.01 \text{ A}$

AMMETER ACCURACY

$\pm(1\% \text{reading} + 2 \text{ digit})$

OUTPUT NO. 2**VOLTAGE**Fixed 12 VDC $\pm 5\%$ **CURRENT**

0 to 500 mA continuous

POLARITY

Positive or Negative

CONNECTORS

Wire Clips

LOAD REGULATION (no load to 500 mA) $\leq 1\%$ **LINE REGULATION** $\leq 1\%$ **RIPPLE AND NOISE** ≤ 5 mV rms**PROTECTION**

Short circuit protection, thermal overload protection

OUTPUT NO. 3**VOLTAGE**Fixed 5 VDC $\pm 5\%$ **CURRENT**

0 to 500 mA continuous

POLARITY

Positive or Negative

CONNECTORS

Wire Clips

LOAD REGULATION (no load to 500 mA) $\leq 1\%$ **LINE REGULATION** $\leq 1\%$ **RIPPLE AND NOISE** ≤ 5 mV rms**PROTECTION**

Short circuit protection, thermal overload protection

SPECIFICATIONS

COOLING

Convection

POWER REQUIREMENTS

108 - 132 VAC, 60 Hz (198 - 242 VAC, 50 Hz version available)

POWER CONSUMPTION

350W

OPERATING TEMPERATURE

0° TO 40°C, ≤75% R.H.

STORAGE TEMPERATURE

-15° TO 70°C, ≤85% R.H.

DIMENSIONS (H x W x D)

4.9 x 8.5 x 11.5" (124 x 216 x 292mm)

WEIGHT

14.3lbs (6.5 kg)

ACCESSORIES SUPPLIED

Instruction Manual

Spare Fuse

OPTIONAL ACCESSORIES

Power Supply Hook-up Cables, Model TL-5

CONTROLS AND INDICATORS

1. **POWER Switch.** Turns power supply on and off.
2. **POWER ON Indicator.** Lights when power is turned on.
3. **CURRENT LIMITED Indicator.** Lights when variable supply is operating in constant current mode.
4. **CURRENT Control.** Adjusts maximum output current of variable supply. Read value on A meter.
5. **VOLTAGE Control.** Adjusts output voltage of variable supply. Read value on V meter.
6. **A Meter.** Indicates output current of variable supply.
7. **V Meter.** Indicates output voltage of variable supply.
8. **OUTPUT + Terminal (red).** Positive polarity variable output terminal.
9. **OUTPUT - Terminal (black).** Negative polarity variable output terminal.
10. **12V OUTPUT + Terminal (red).** Positive polarity 12 VDC output terminal.
11. **12V OUTPUT - Terminal (black).** Negative polarity 12 VDC output terminal.
12. **5V OUTPUT - Terminal (black).** Negative polarity 5 VDC output terminal.
13. **5V OUTPUT + Terminal (red).** Positive polarity 5 VDC output terminal.
14. **Line Cord.**
15. **Fuse.**
16. **Fan**

OPERATING INSTRUCTIONS

SAFETY PRECAUTIONS

CAUTION

Use only a polarized 3-wire outlet. This assures that the power supply chassis and case are connected to a good earth ground and reduces danger of electrical shock.

There is little danger of electric shock from the power supply output, which produces a maximum of 30 volts dc. However, there may be great danger of electrical shock if the power supply output is connected to an external high voltage. Some equipment being powered may contain high voltage and present a shock hazard. Observe caution. If the power supply output is floated (referenced to a voltage rather than earth ground) turn off the power supply and the equipment under test when making connections. Never float the power supply to a potential greater than 100 volts peak with respect to ground.

Observe all TEST INSTRUMENT SAFETY precautions listed in the front of this manual.

EQUIPMENT PROTECTION PRECAUTIONS

Avoid using the power supply in ambient temperatures above +40C (104F). Always allow sufficient air space around the opening at the rear of the power supply and the top and side vent openings for effective air flow to

prevent internal heat build-up. Typically a two inch space at the sides, as well as a six inch space at the top and rear of the power supply is adequate. DO NOT block the opening at the rear of the power supply or the vent on top of the power supply. DO NOT place objects on top of the power supply.

Although the power supply is protected against overload and short circuits, avoiding these conditions in regular use results in maximum stability.

Make certain that hook-up is as intended before turning power supply on. Incorrect polarity may damage the equipment being powered.

POWER SUPPLY HOOK-UP AND OPERATION

Variable Voltage Output

1. Turn off the power supply and equipment being powered.

NOTE

Use copper hook-up wire of at least 18 gauge. Using smaller wire may increase the source resistance "seen" by the load, thereby derating the regulation capabilities of the power supply. Tighten connections snugly to assure low resistance.

OPERATING INSTRUCTIONS

2. Connect the red (+) **OUTPUT** terminal of the power supply to the positive polarity input of the equipment being powered.
3. Connect the black (-) **OUTPUT** terminal of the power supply to the negative polarity input of the equipment being powered.
4. Place the **POWER** switch in the **ON** position, the **ON** indicator should illuminate,
5. Turn on the equipment being powered.

Typical Constant Voltage Operation

1. Before connecting the device to be powered to the power supply, determine the maximum safe load current for the device to be powered and set the current limit value (see "Setting Current Limit" procedure in this section).
2. Set **VOLTAGE** control to minimum (fully counterclockwise).
3. Turn off the power supply and connect it to the device to be powered.
4. Turn on **POWER** switch. The Power **ON** indicator should light.
5. Increase the **VOLTAGE** setting until the voltage display reads the desired value.
6. If the load current exceeds the preset current limit, the **CURRENT LIMITED** indicator will light. In this case, the power supply automatically switches to the constant current mode and further rotation of the **VOLTAGE** control will not increase the output current.

Setting Current Limit

1. Determine the maximum safe current for the device to be powered.
2. Rotate the **VOLTAGE** control away from zero until some low voltage (under 1 volt) is indicated.
3. Temporarily short the (+) and (-) **OUTPUT** terminals of the power supply together with a test lead.
4. Adjust the **CURRENT** control for the desired current limit. Read the current value on the current display.
5. The current limit (overload protection) has now been preset. Do not change the **CURRENT** control setting after this step.
6. Remove the short between the (+) and (-) **OUTPUT** binding posts and hook up for constant voltage operation.

Typical Constant Current Operation

1. Before connecting the device to be powered to the power supply, determine the maximum safe voltage to be applied, and set the **VOLTAGE** control to obtain that voltage reading on the display.
2. Determine the desired constant current value.
3. Set the **CURRENT** control to minimum (fully counterclockwise).
4. Turn off the power supply and connect it to the device to be powered.
5. Turn on the power supply.
6. Increase the **CURRENT** control setting until the desired constant current value is read on the display, or set the current limit in advance (before connecting the load) as prescribed earlier in the "setting Current Limit" procedure.

7. If the load current reaches the constant current value, the **CURRENT LIMITED** indicator will light. If the load current drops below the constant current value, the **CURRENT LIMITED** indicator will go off. In this case the power supply automatically switches to the constant voltage mode, and further rotation of the **CURRENT** control will not increase the output current.

Constant Voltage/Constant Current Characteristic

The working characteristic of the variable power supply is called a constant voltage/constant current automatic crossover type. This permits continuous transition from constant current to constant voltage modes in response to the load change. The intersection of constant voltage and constant current modes is called the crossover point. Fig 3 shows the relationship between this crossover point and the load.

For example, if the load is such that the power supply is operating in the constant voltage mode, a regulated output voltage is provided. The output voltage remains constant as the load increases, up until the point where the preset current limit is reached. At that point, the output current becomes constant and the output voltage drops in proportion to further increases in load. The crossover point is indicated by the front panel **CURRENT LIMITED** indicator lighting.

Similarly, crossover from the constant current to the constant voltage mode automatically occurs from a decrease in load. A good example of this would be seen when charging a 12-volt car battery. Initially, the open circuit voltage of the power supply may be preset for 13.8 volts. A low battery will place a heavy load on the power supply and it will operate in the constant current mode., which may be adjusted for a 2 Amp charging rate. As the battery becomes charged, and its voltage approaches 13.8 volts, its load decreases to the point where it no longer demands the full 2 Amp charging rate. This is the crossover point where the power supply goes into the constant voltage mode.

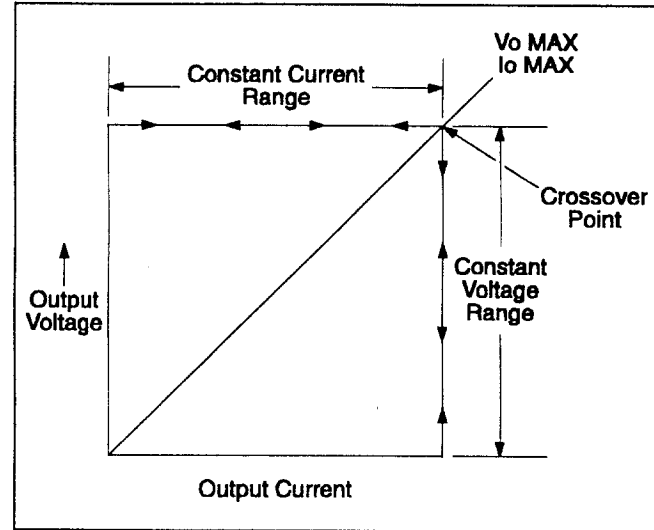


Figure 3. Constant Voltage/Current Characteristics

12 VDC Output

The 12 Vdc is a fixed voltage supply providing up to 500 mA (0.5 amp) continuous. The 12 Vdc output is available at the two left **OUTPUT 12V** tie points. Be sure to observe polarity.

5 Vdc Output

The 5 Vdc is a fixed voltage supply providing up to 500 mA (0.5 amp) continuous. The 5 Vdc output is available at the two right **OUTPUT 5V** tie points. Be sure to observe polarity.

CAUTION

1. The 12V and 5V supplies will provide up to 1 amp for a short period, but thermal shutdown may occur when the output is overloaded for a few minutes. Upon thermal shutdown there will be no output. If thermal shutdown occurs, remove the load and wait 15 minutes for the power supply to cool. Normal operation may then resume.
2. Overloading may also cause severe ripple in the output which could disrupt operation of the circuit being powered. Excessive ripple will produce a loud hum in devices with speakers.
3. You can prevent overloading by measuring the output current with an external multimeter. Set the meter to measure current (a 2 amp range is desirable, or a 10 amp range may be used) and connect in "series" with the load. Load current up to 500 mA may be operated continuously, load current greater than 500 mA must be short term, maximum short term current is 1 amp.

DUAL OR TRIPLE OUTPUT

Two of the outputs, or all three of the outputs may be used simultaneously if desired. The three outputs are fully isolated from ground, and each other, thus each output may be connected for either positive or negative polarity.

A typical example of a triple output application would be powering a circuit board that requires three voltages, such as +5V, +12V, and -12V. Fig. 4 shows how the outputs would be connected for this example, and the following procedures reviews the steps of hook-up.

1. The variable supply would be set for 12V. We will assign the variable supply as the +12V source and the fixed 12V supply as the -12V source.
2. Connect the - terminal of the 5V supply to circuit board common and the + terminal to the +5V input of the board.
3. Connect the - terminal of the variable supply to circuit board common (or the - terminal of the 5V supply). Connect the + terminal of the variable supply to the +12V input of the board.
4. Connect the + terminal of the fixed 12V supply to circuit board common (or the - terminal of the 5V and variable supplies). Connect the - terminal of the fixed 12V supply to the -12V input of the board.

CONNECTING OUTPUTS IN SERIES

When the 30 volt output of the variable supply is not adequate, the outputs may be connected in series to provide a variable 17 to 47 volt output. Since the supplies are connected in series, the maximum current is the same as for the fixed voltage supplies; that is, 500 mA continuous or 1 amp peak. Connections for this configuration are shown in Fig. 5.

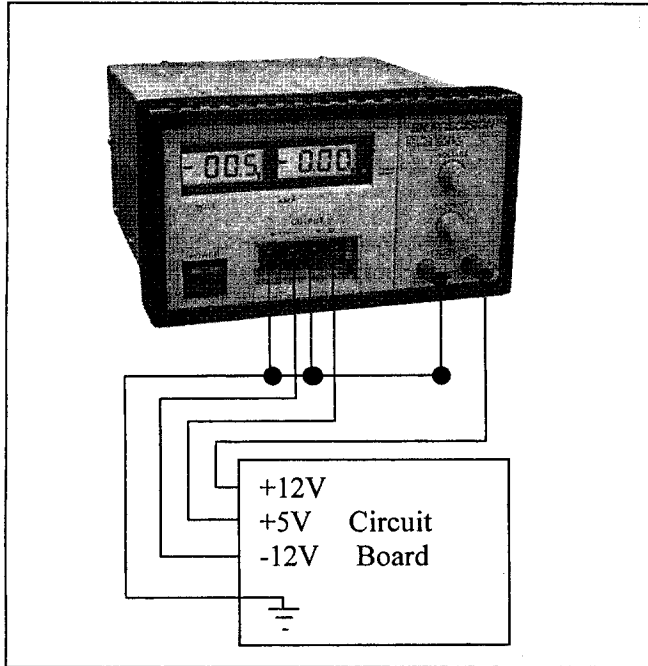


Figure 4. Example of Triple Output Hook-up for +5V, +12V, and -12V

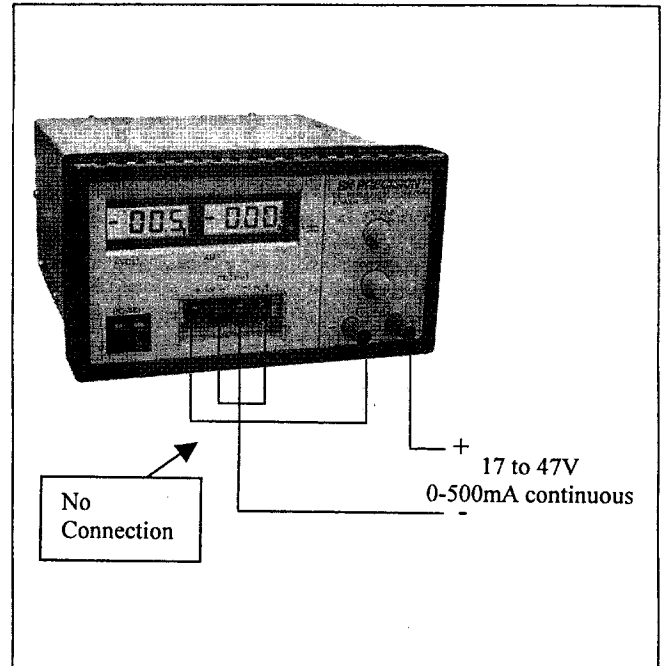


Figure 5. Connecting Outputs in Series for Variable 17 to 47 volt output

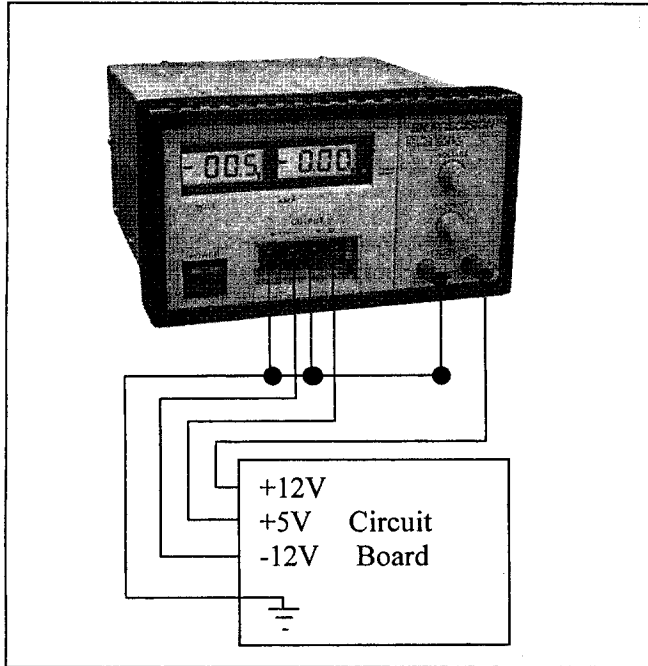


Figure 4. Example of Triple Output Hook-up for +5V, +12V, and -12V

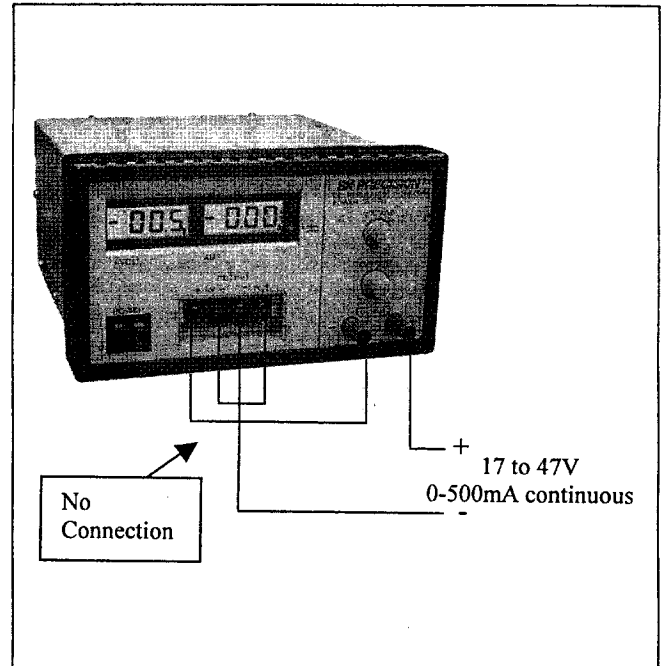


Figure 5. Connecting Outputs in Series for Variable 17 to 47 volt output

MAINTENANCE

WARNING

The following instructions are for use by qualified personnel only. To avoid electrical shock, do not perform any servicing other than contained in the operating instructions unless you are qualified to do so.

FUSE REPLACEMENT

If the fuse blows, the power ON LED indicator will not light and the power supply will not operate. The fuse should not normally open unless a problem has developed in the unit. Try to determine and correct the cause of the blown fuse, then replace only with a fuse of the correct rating. The fuse is located on the rear panel (Fig. 2).

| | | |
|---------------------|-------------|-------------|
| LINE VOLTAGE | 120V | 220V |
| FUSE VALUE | 4A | 2A |

INSTRUMENT REPAIR SERVICE

Because of the specialized skills and test equipment required for instrument repair and calibration, many customers prefer to rely upon **B+K Precision** for this service. We maintain a network of **B+K Precision** authorized service agencies for this purpose. To use this service, even if the instrument is no longer under warranty, follow the instructions given in the **WARRANTY SERVICE INSTRUCTIONS** section of this manual. There is a nominal charge for instruments out of warranty.

WARRANTY SERVICE INSTRUCTIONS (For U.S.A. and its Overseas Territories)

1. Refer to the **MAINTENANCE** section of your **B+K Precision** instruction manual for adjustments that may be applicable.
2. If the above-mentioned does not correct the problem you are experiencing with your unit, pack it securely (preferable in the original carton or double-packed).
3. Enclose a letter describing the problem and include your name and address.
4. Enclose proof of purchase date, that is, a dated copy of the sales receipt.
5. Deliver to, or ship **PREPAID** (UPS preferred in U.S.A.) to the nearest **B+K Precision** authorized service agency (see list enclosed with unit).

If your list of authorized **B+K Precision** service agencies has been misplaced, contact your distributor for the name of your nearest service agency, or write to:

B&K Precision Corporation
22820 Savi Ranch Parkway
Yorba Linda, California 92887
www.bkprecision.com
(800) 462-9832

Also use this information for technical
and replacement parts inquires

Limited One-Year Warranty

B&K Precision Corp. warrants to the original purchaser that its product and the component parts thereof, will be free from defects in workmanship and materials for a period of one year from the date of purchase.

B&K Precision Corp. will, without charge, repair or replace, at its' option, defective product or component parts. Returned product must be accompanied by proof of the purchase date in the form a sales receipt.

To obtain warranty coverage in the U.S.A., this product must be registered by completing and mailing the enclosed warranty card to B&K Precision Corp., 22820 Savi Ranch Pkwy, Yorba Linda, CA 92887 within fifteen (15) days from proof of purchase.

Exclusions: This warranty does not apply in the event of misuse or abuse of the product or as a result of unauthorized alternations or repairs. It is void if the serial number is alternated, defaced or removed.

B&K Precision Corp. shall not be liable for any consequential damages, including without limitation damages resulting from loss of use. Some states do not allow limitation of incidental or consequential damages, so the above limitation or exclusion may not apply to you.

This warranty gives you specific rights and you may have other rights, which vary from state-to-state.

Model Number: _____

Date Purchased: _____

CUSTOMER SUPPORT

1-800-462-9832

B+K Precision offers courteous, professional technical support services before and after the sale of their test instruments. The following services are typical of those available from our toll-free telephone number:

- Technical advice on the use of your instrument
- Technical advice on special applications of your instrument
- Technical advice on selecting the best instrument for a given task
- Information on optional accessories for your instrument
- Information on instrument repair and recalibration services
- Replacement parts ordering
- Information on other **B+K Precision** instruments
- Requests for a new **B+K Precision** catalog
- The name of your nearest **B+K Precision** distributor

Call Toll-Free 1-800-462-9832
Monday thru Friday 8:00 AM to 5:00 PM