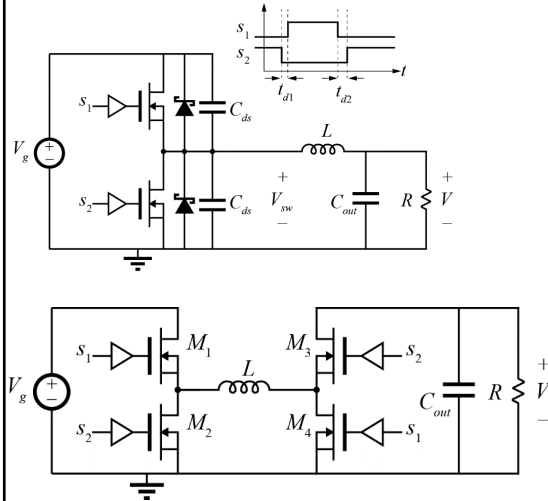
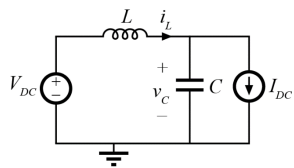


Time-Domain Analysis of Switching Transitions



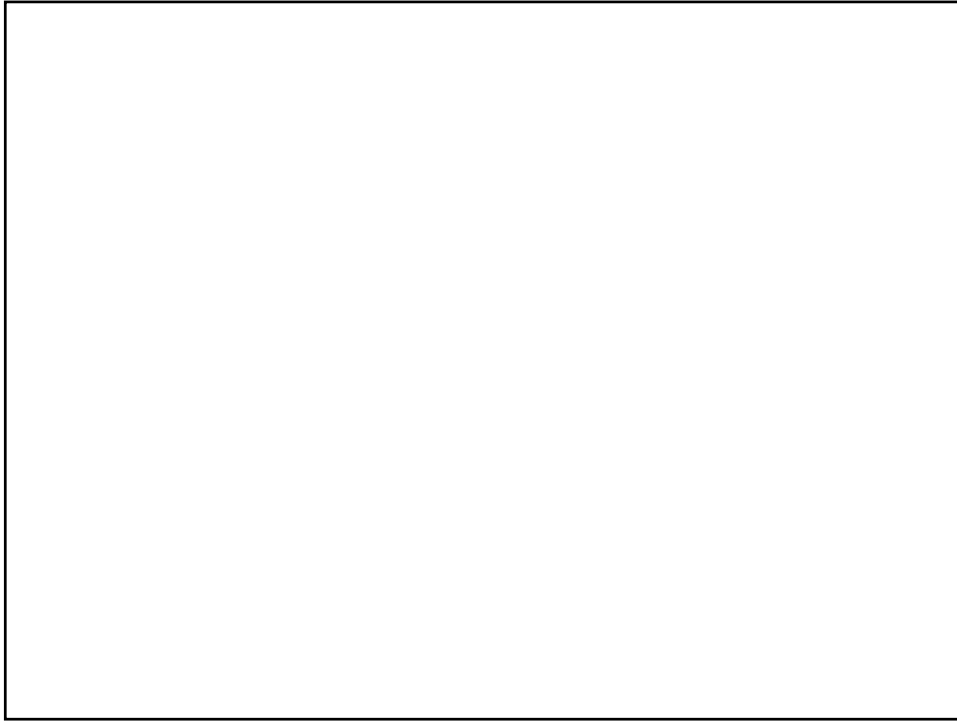
Resonant Circuit Solution




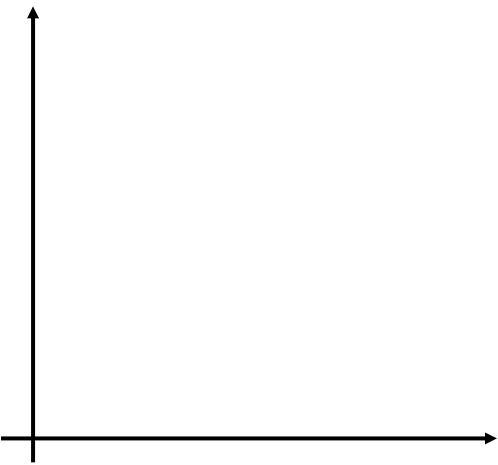


Normalization and Notation





 **State Plane Analysis**



[1] R. Oruganti and F. C. Lee, "Resonant Power Processors, Part I – State Plane Analysis", Industry Applications, IEEE Tran. on, vol. 21, no. 6, nov 1985.
[2] D. P. Atherton, Nonlinear Control Engineering. London: Van Nostrand Reinhold, 1982, Ch. 2.

