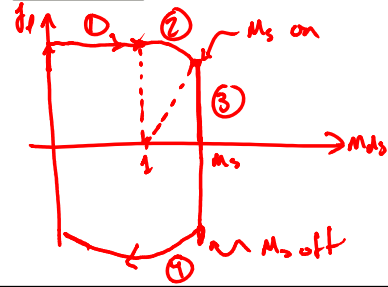
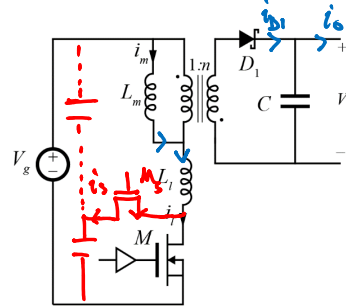
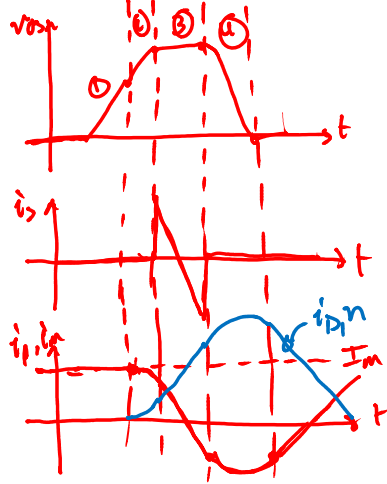


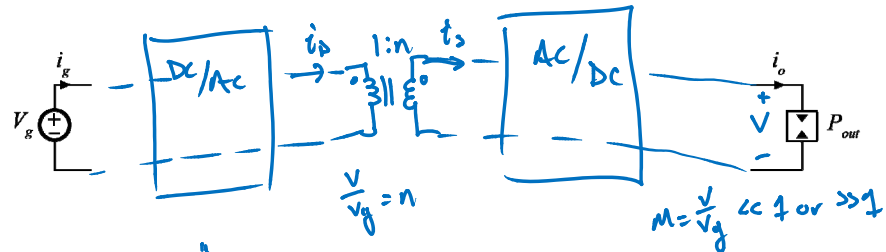


# Active Clamp Flyback





## Introduction to AC-link topologies



Ideal: "DCX"  $\rightarrow$  DC Transformer

Not possible in physical implementation  $\rightarrow$  saturation

why no DCX good

- Use XF  $\rightarrow$  Provide large "step" at high  $\gamma$

- Zero switching loss

- $i_p = i_g$   $i_s = i_o$   $\rightarrow$  current stresses minimized