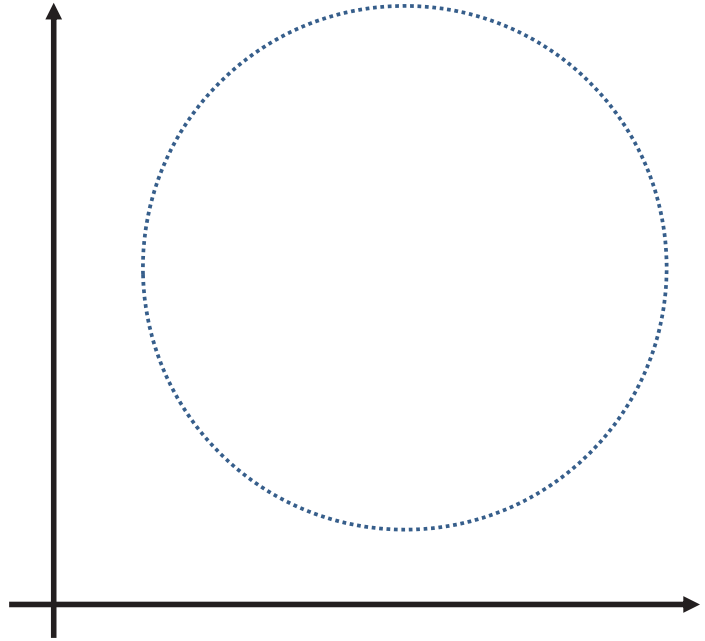
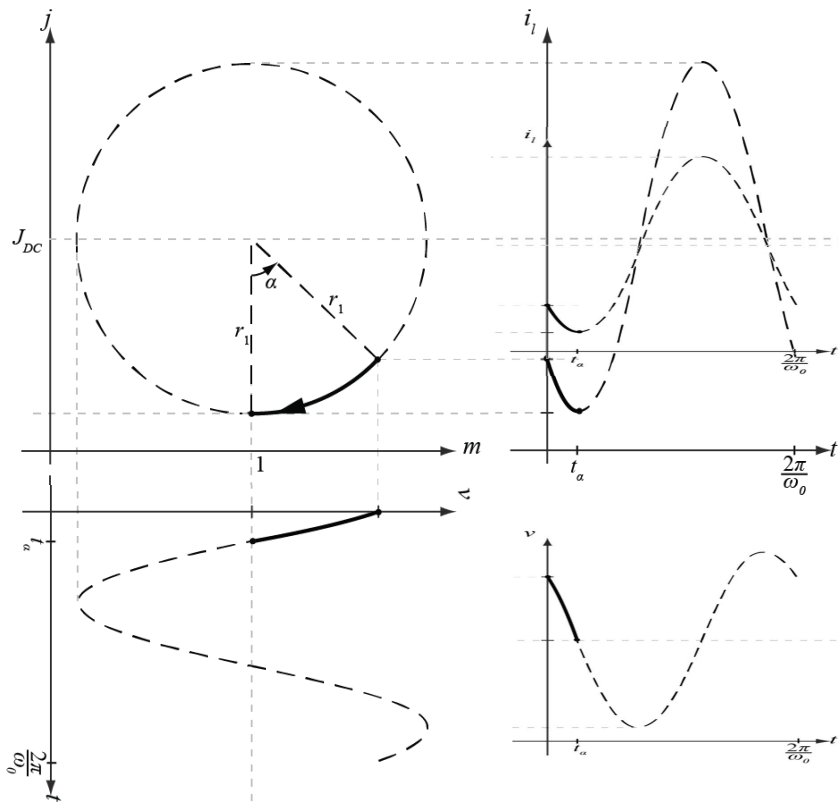


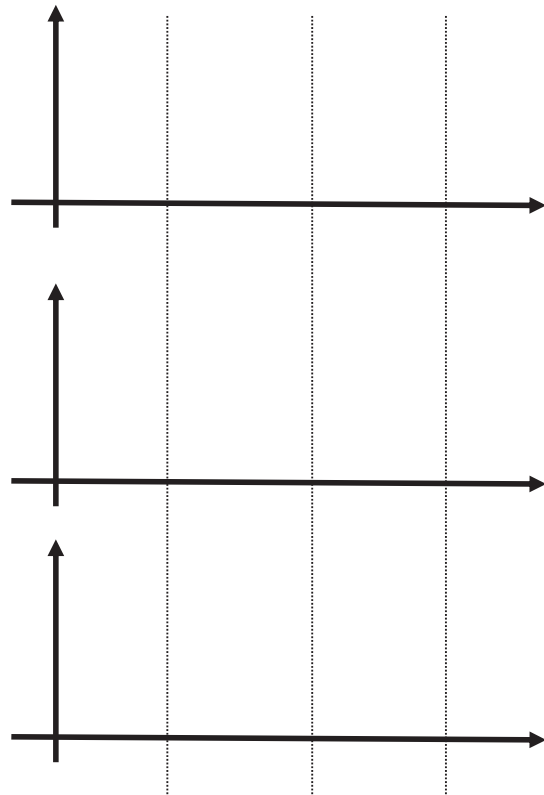
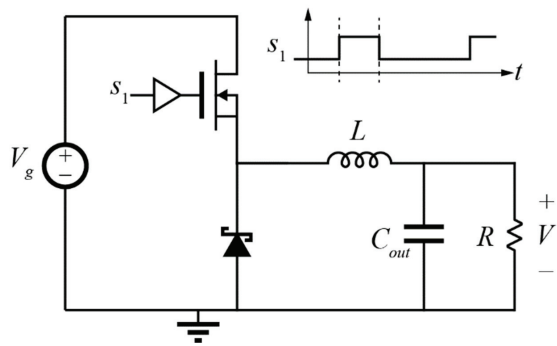
Example Analysis



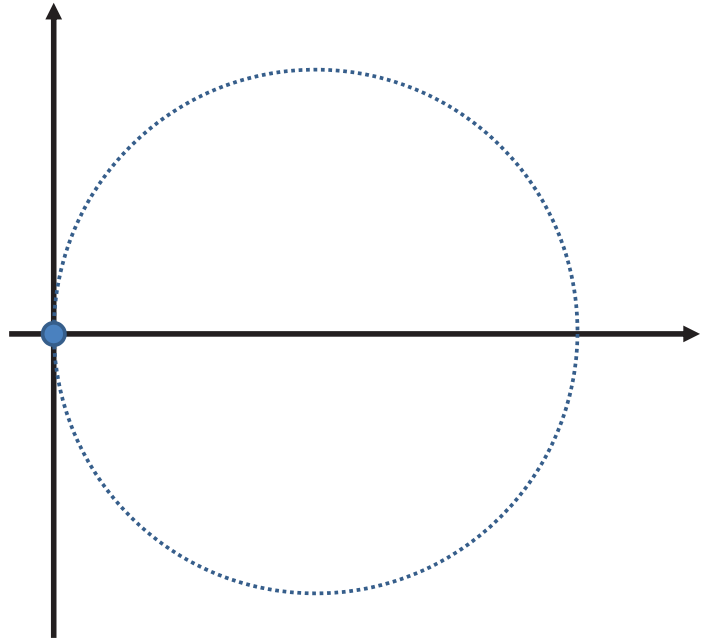
State Plane Algorithm



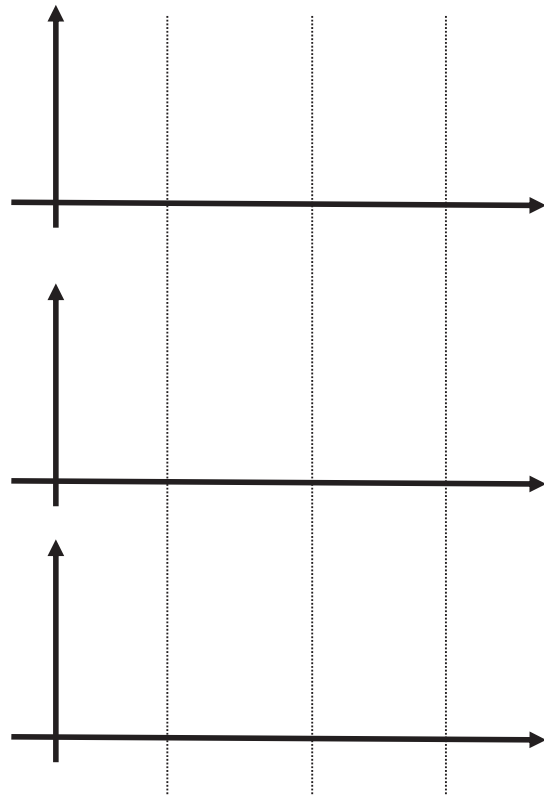
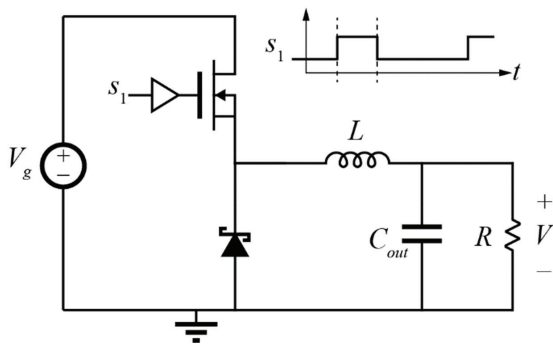
DCM Buck Converter Example ($M=1/2$)



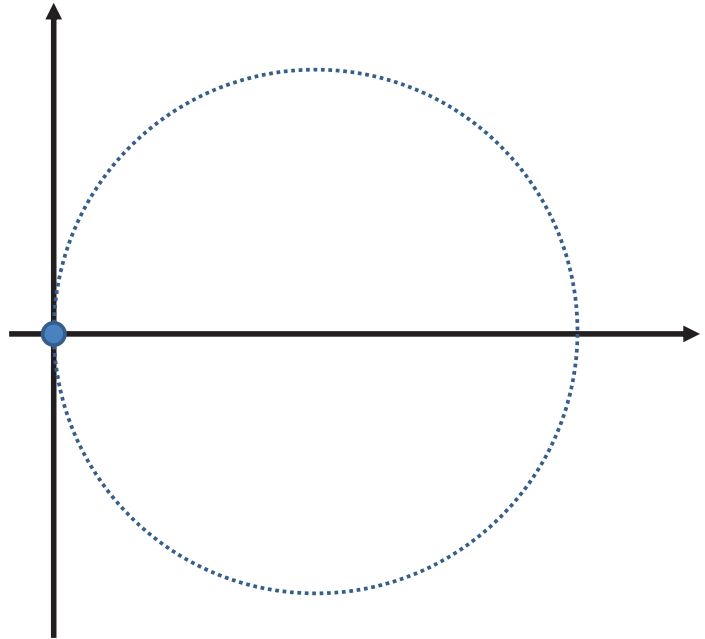
DCM Buck State Plane



DCM Buck $M \neq 1/2$



DCM Buck State Plane ($M > .5$)



DCM Buck State Plane ($M < .5$)

