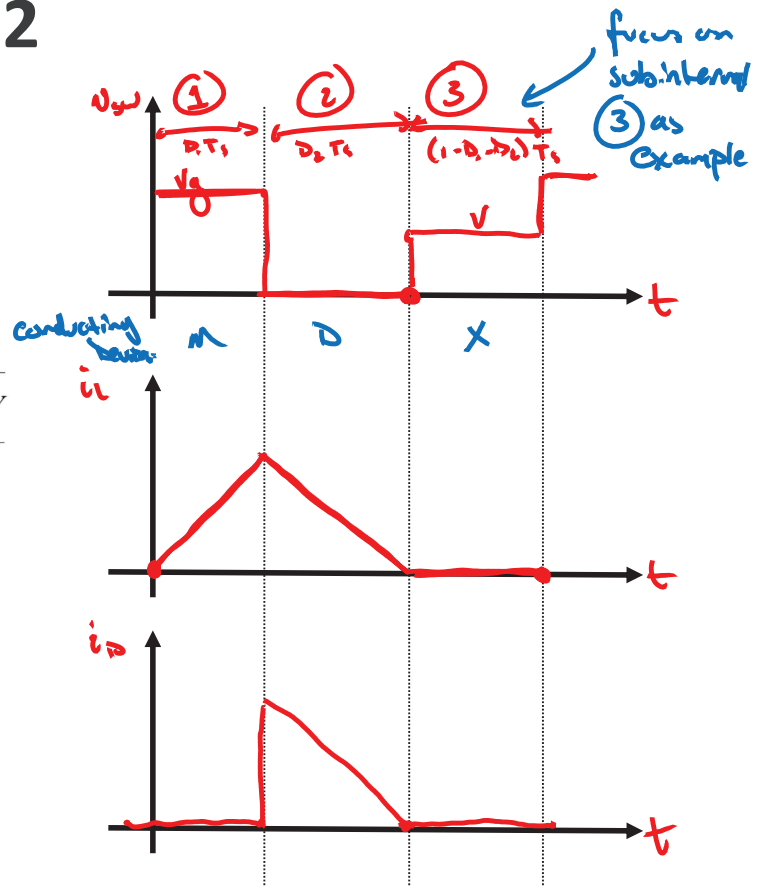
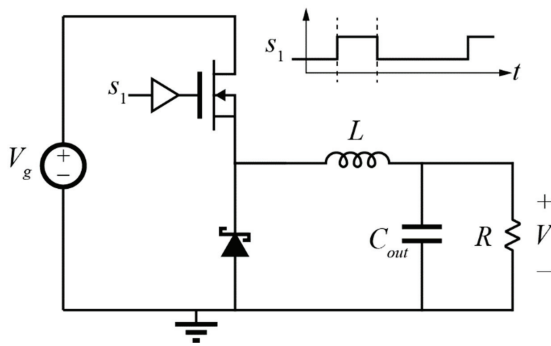
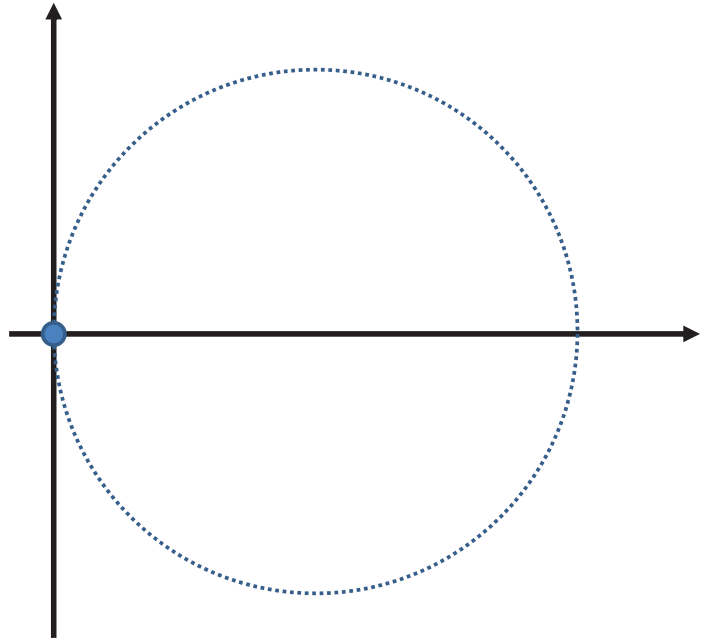


Choosing Equivalent Circuit

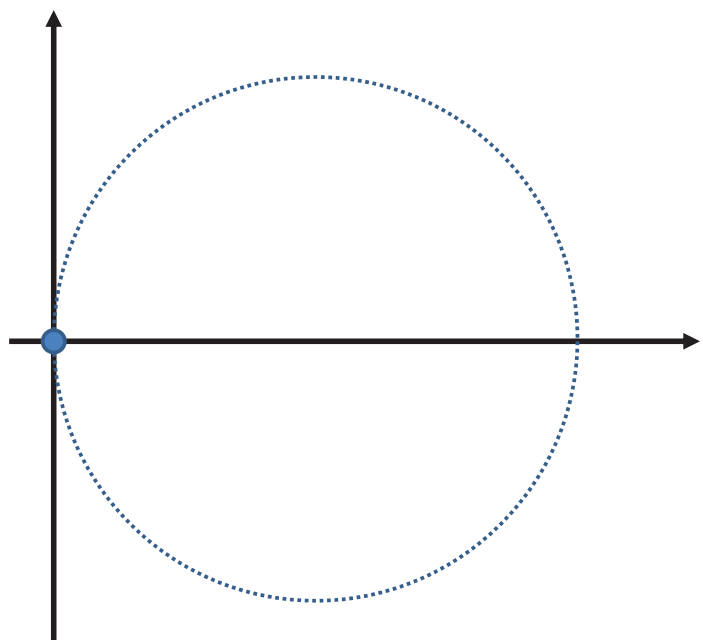
DCM Buck $M \neq 1/2$



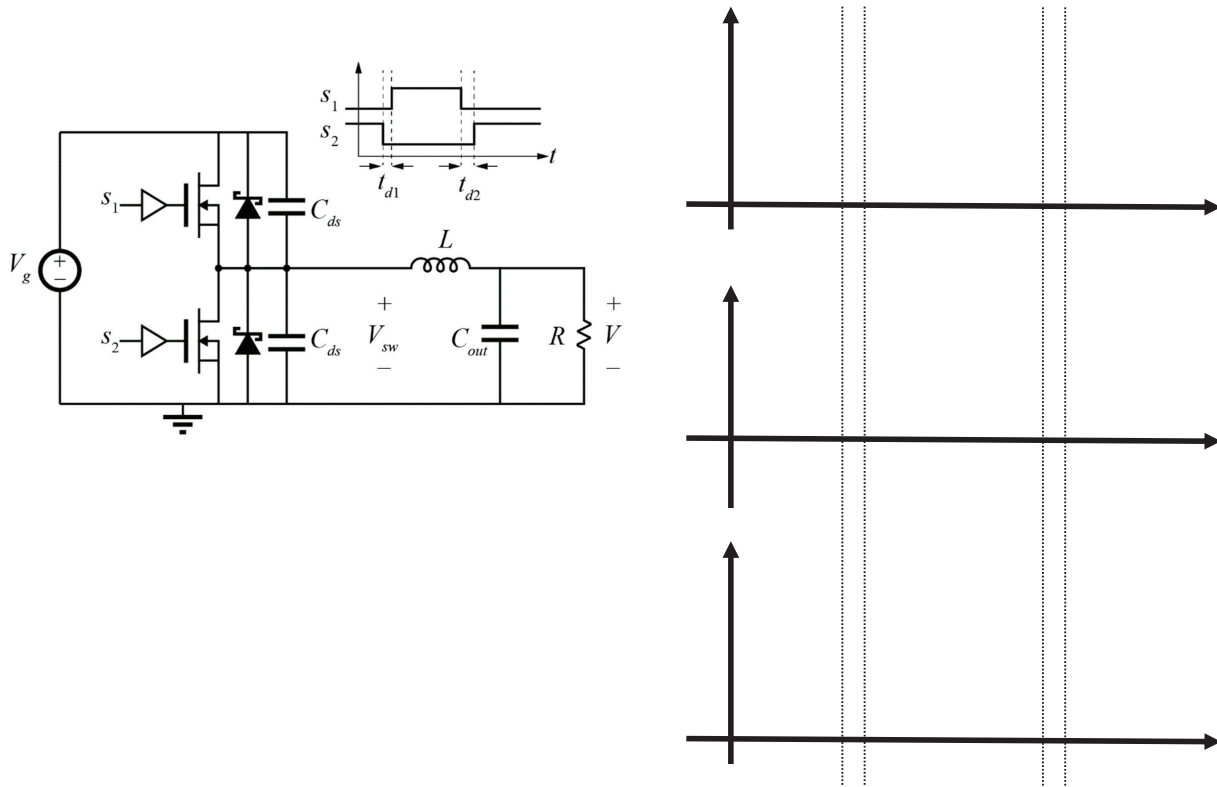
DCM Buck State Plane ($M > .5$)



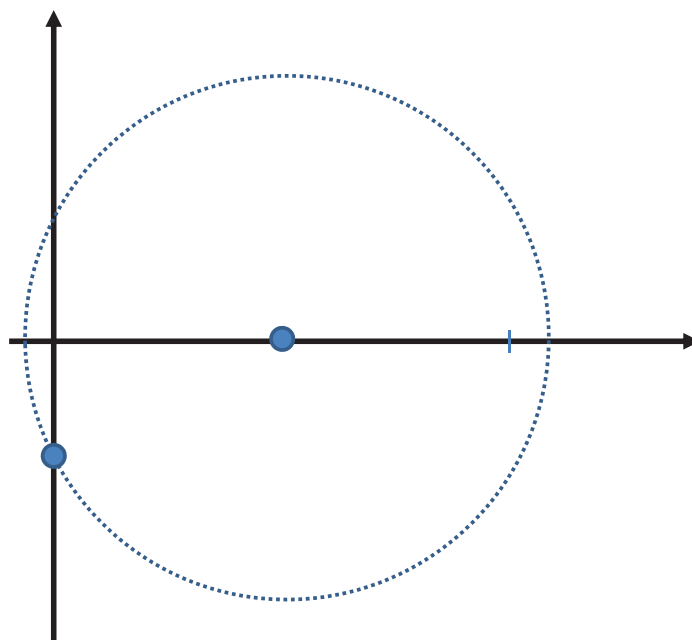
DCM Buck State Plane ($M < .5$)



Synchronous Buck Converter



Sync-Buck State Plane



Sync-Buck ZVS Condition