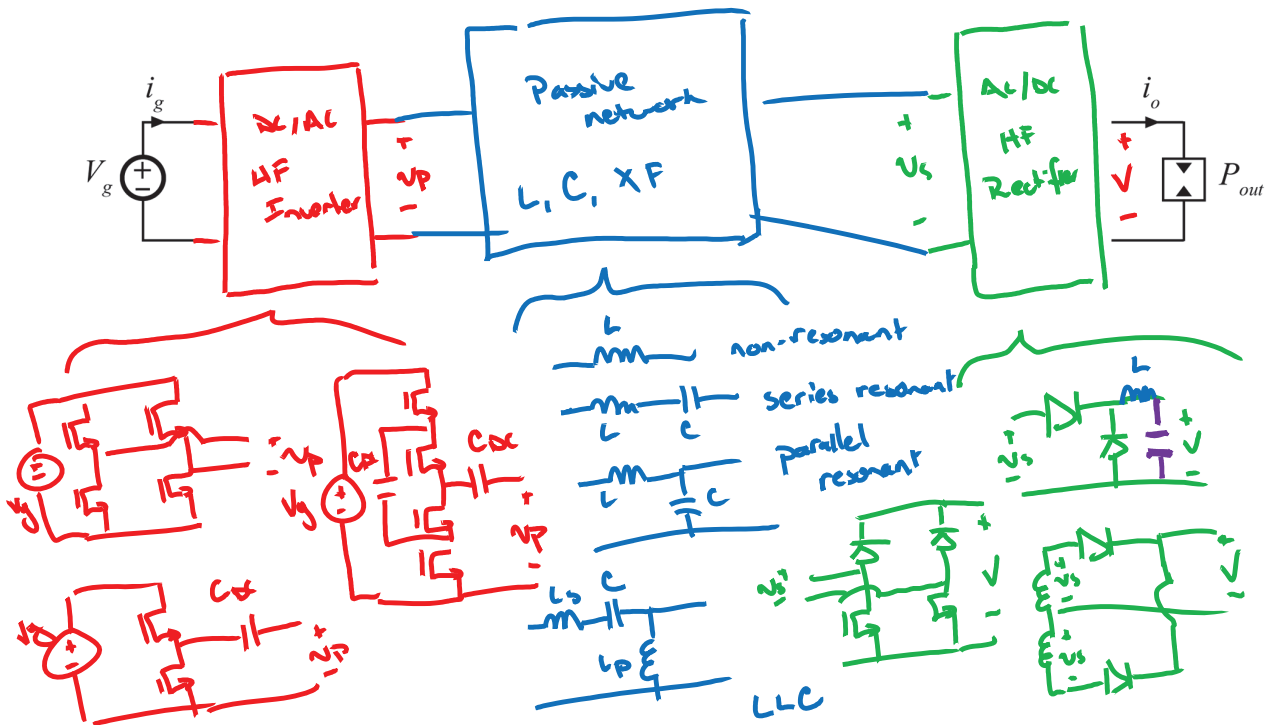
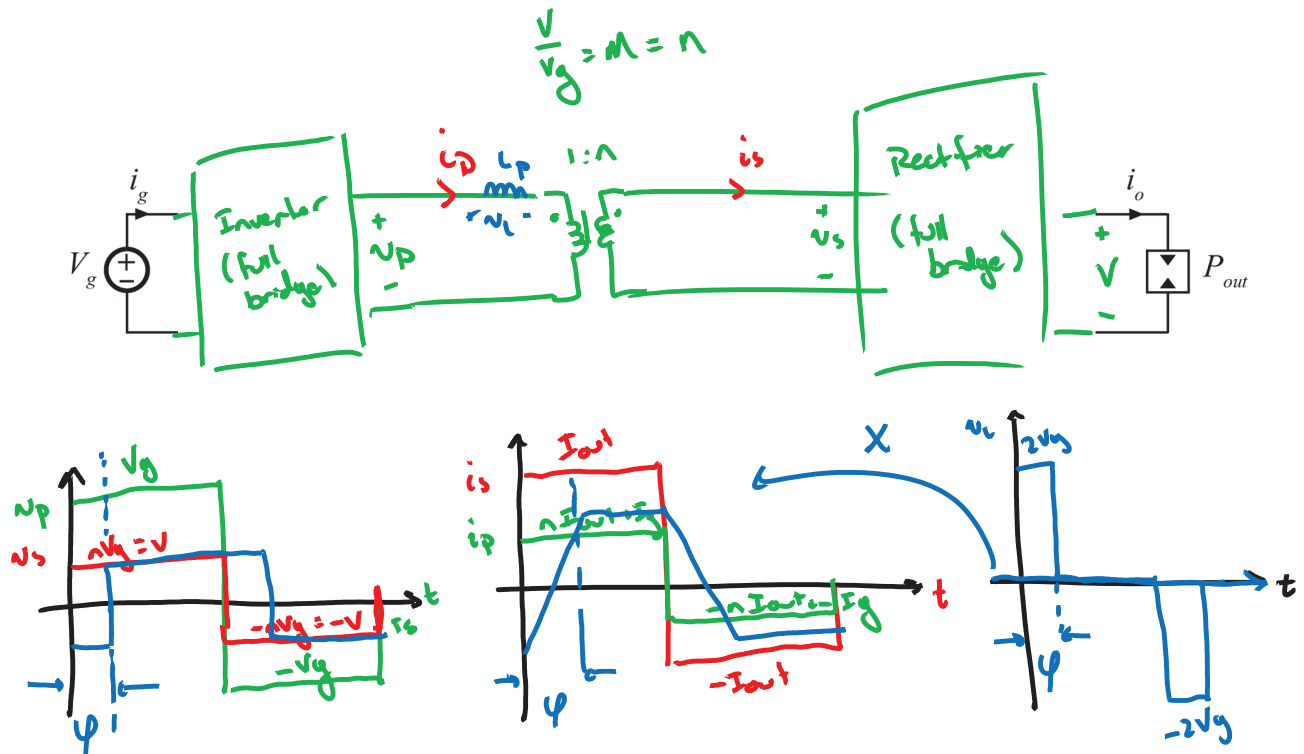


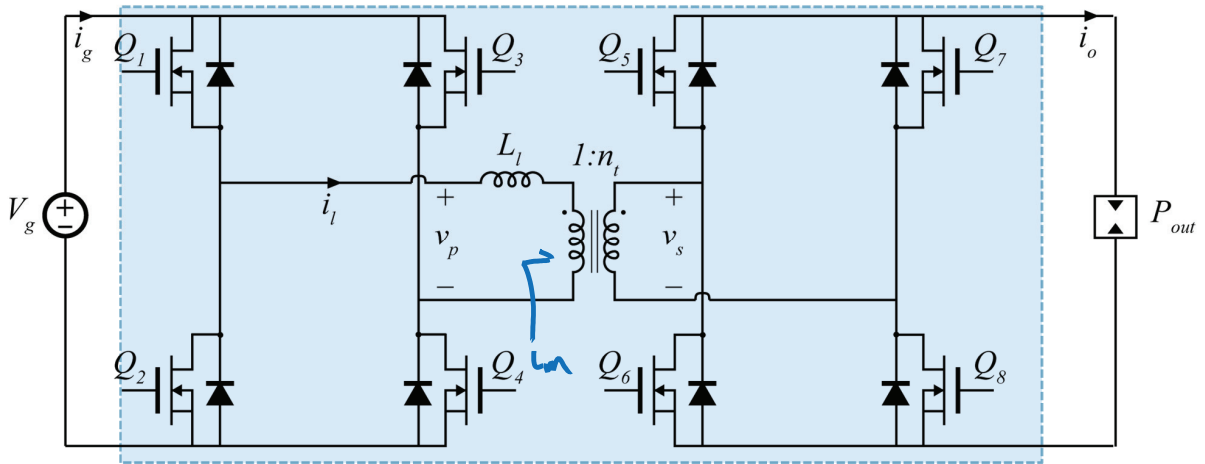
# Introduction to AC-link topologies



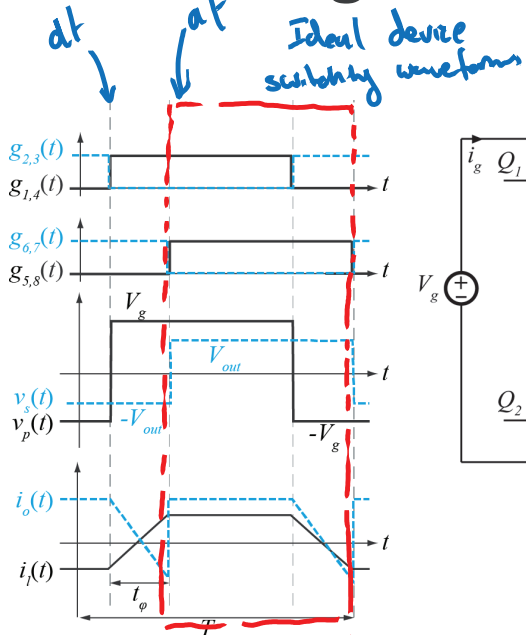
# DC-Transformer (DCX)



# Dual Active Bridge



## Switching Behavior (PSM)



Across half-period  
all DC waveforms symmetric  
all AC waveforms anti-symmetric

