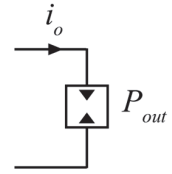
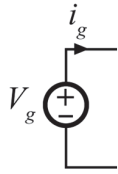
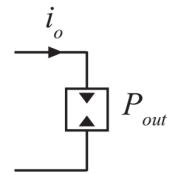
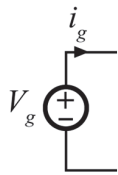


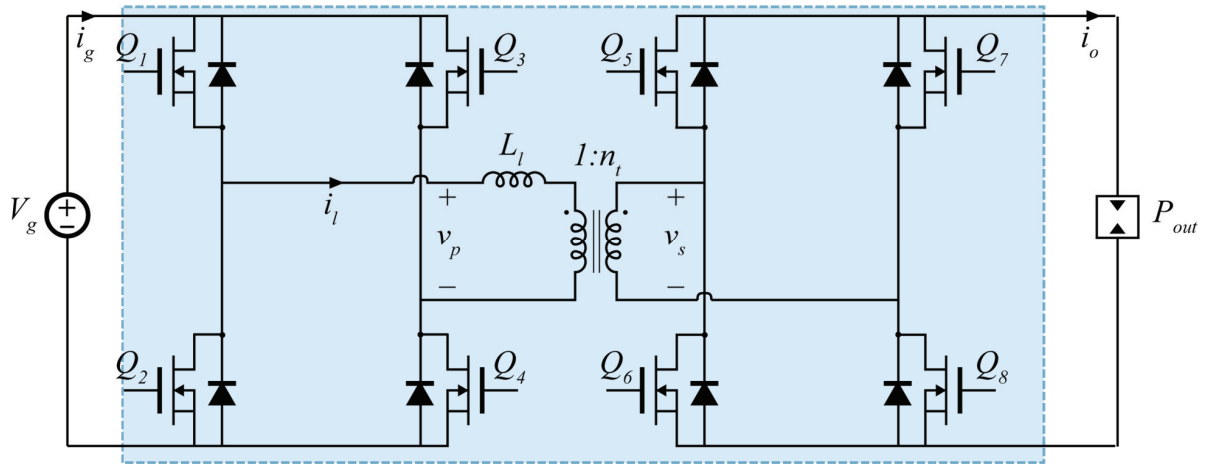
Introduction to AC-link topologies



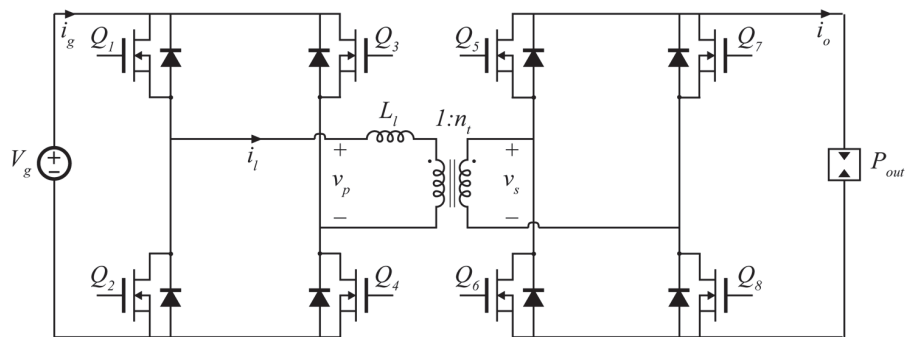
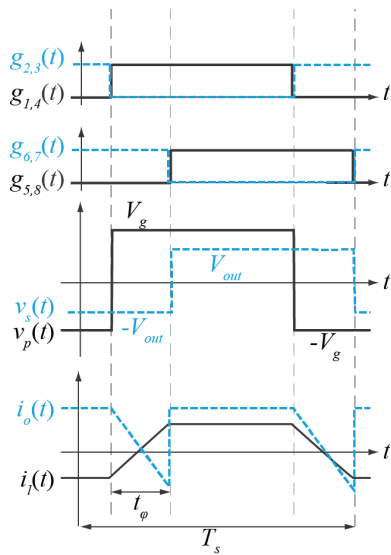
DC-Transformer (DCX)



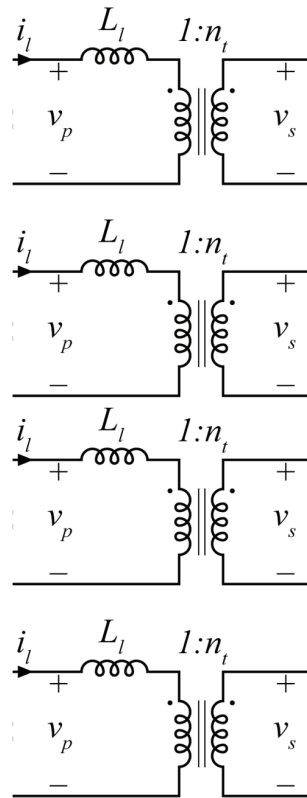
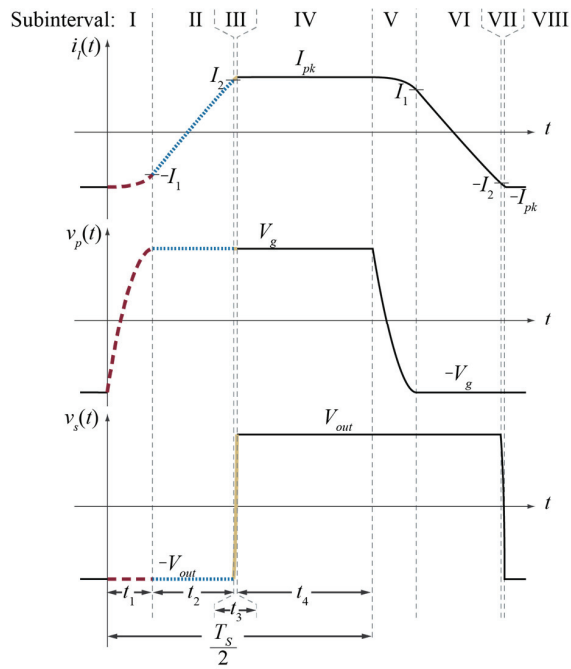
Dual Active Bridge



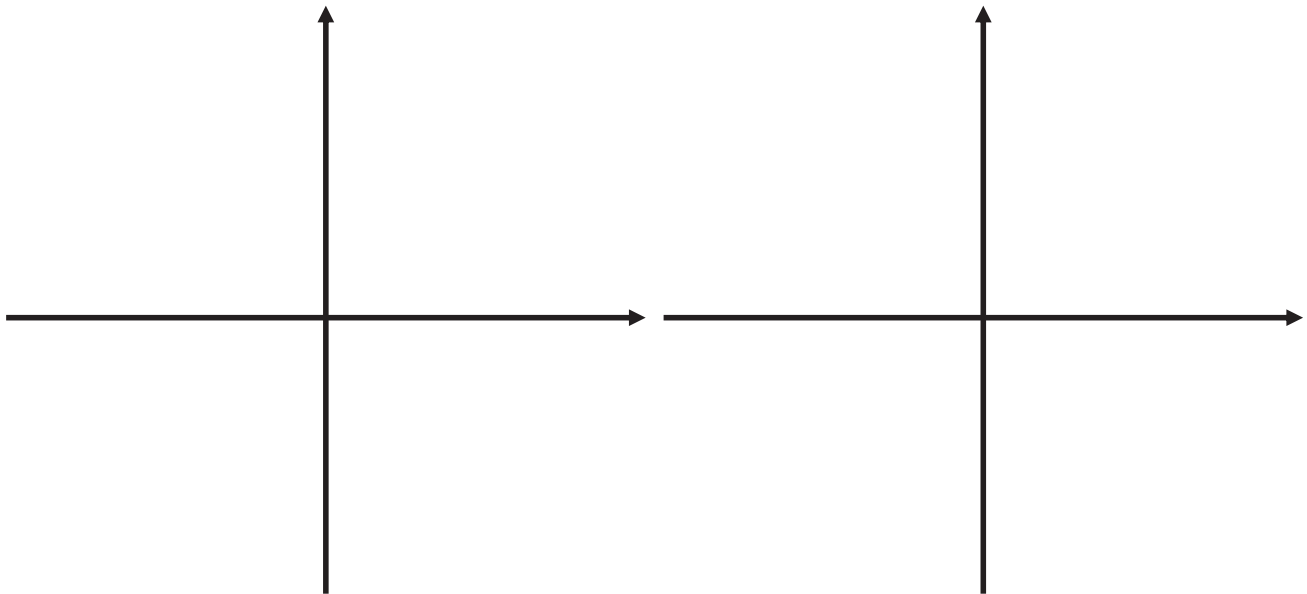
Switching Behavior (PSM)



DAB Operation Analysis



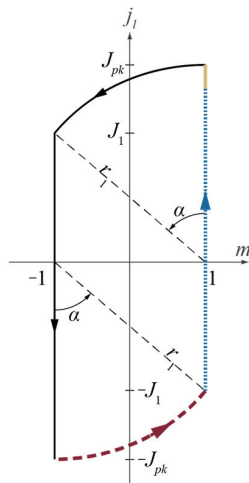
DAB State Plane



ZVS Condition

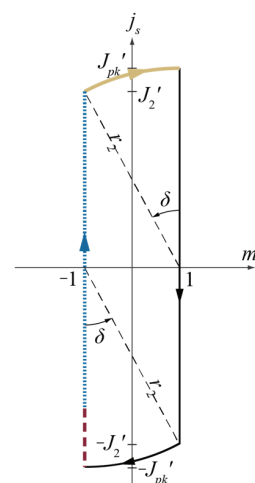
State Plane Solution

Primary



$$I_{base} = V_g \sqrt{\frac{C_p}{L_l}}$$

Secondary



$$I_{base} = V_g \sqrt{\frac{C_s}{n_t^2 L_l}}$$

Averaging Step

