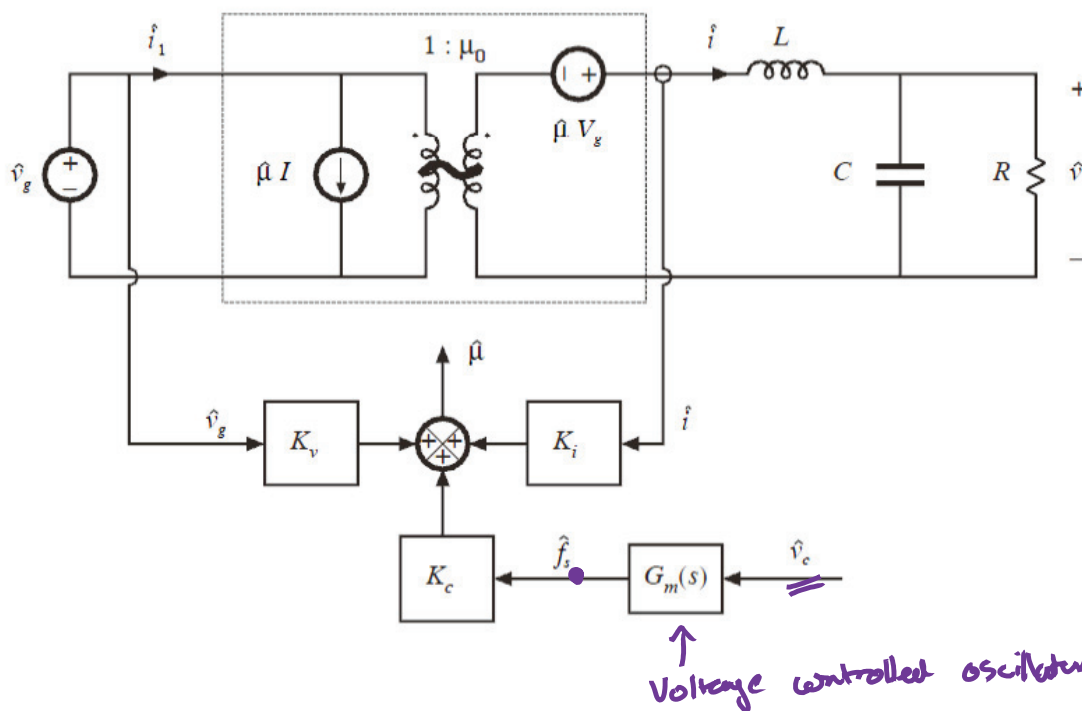
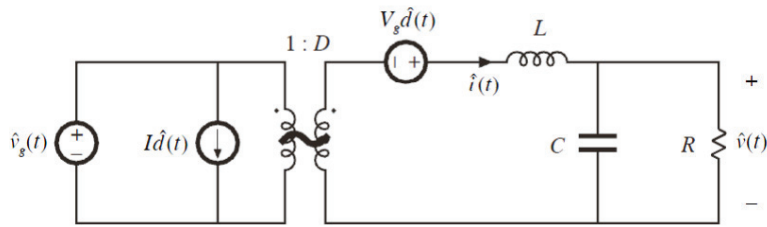


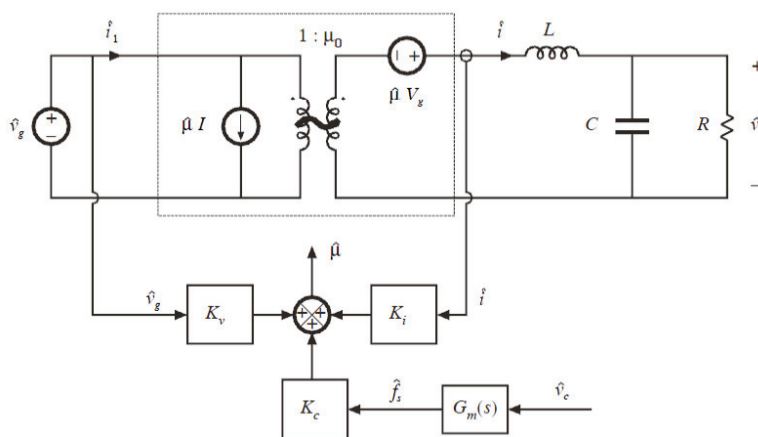
# SSM, Soft-Switching Buck



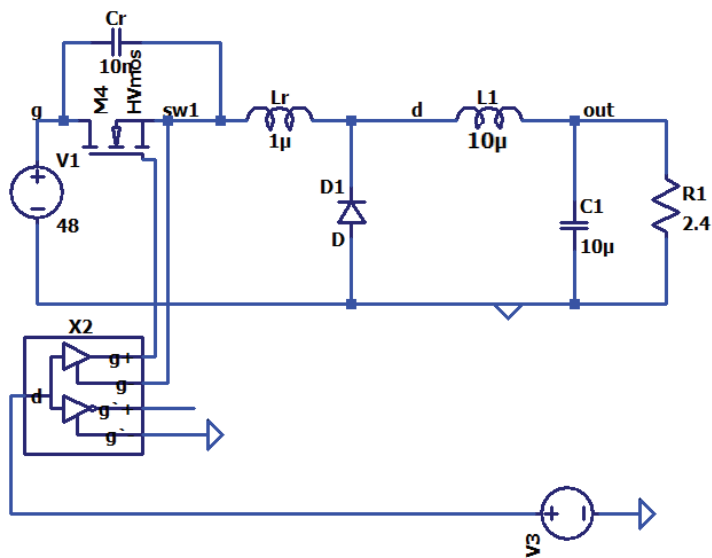
# PWM Transfer Functions



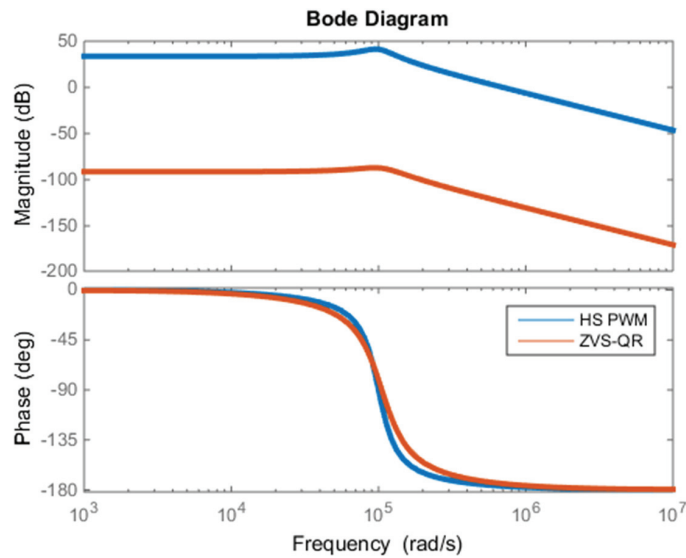
# QR Transfer Functions



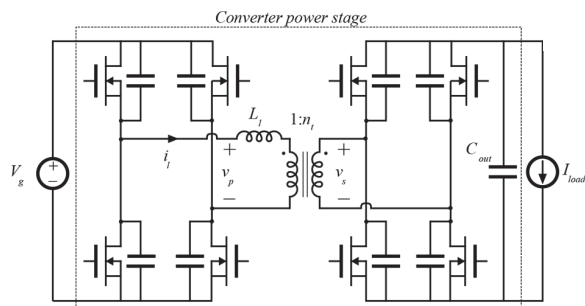
# Example



# Control-to-Output Transfer Function



## AC Link Converters?



## SUMMARY SO FAR

# Converter Topologies

