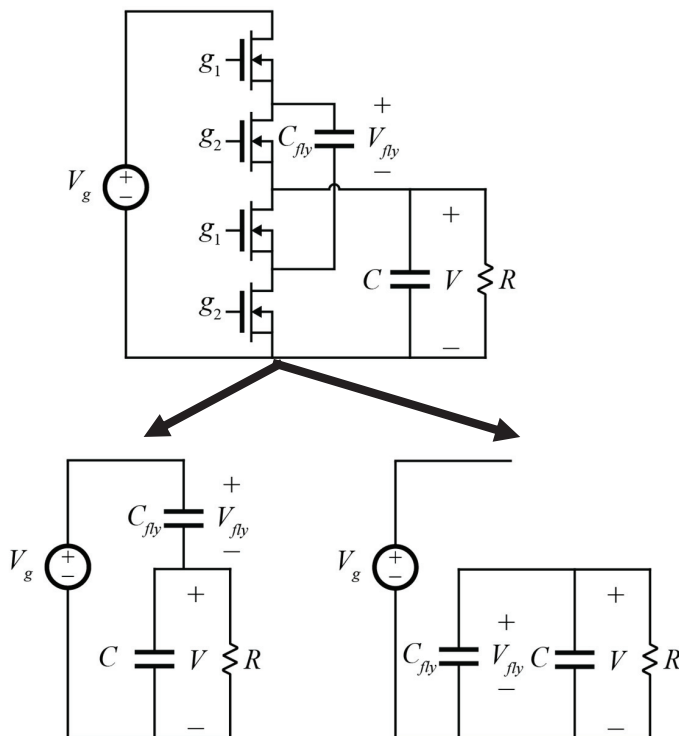


Capacitor Charging: Resonant



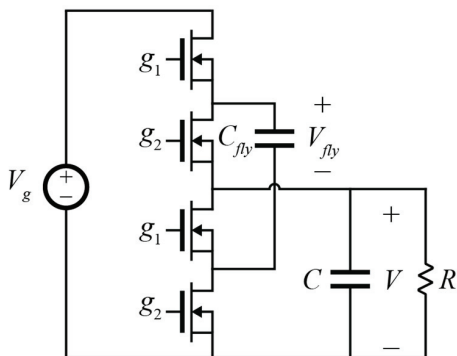
Comparison of Capacitor Charging

2:1 SC Revisited

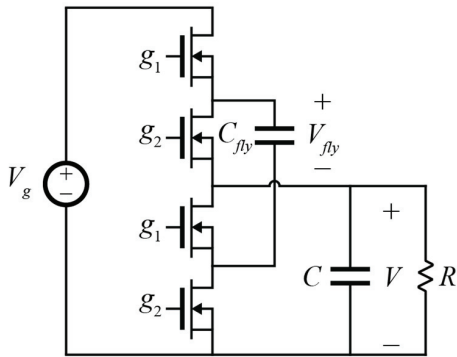


Equivalent Circuit Model

2:1 – Current Loaded



2:1 – Resonant Implementation



Slow and Fast Switching Limits

2:1 SC – FSL Model

SC Converter Topologies

