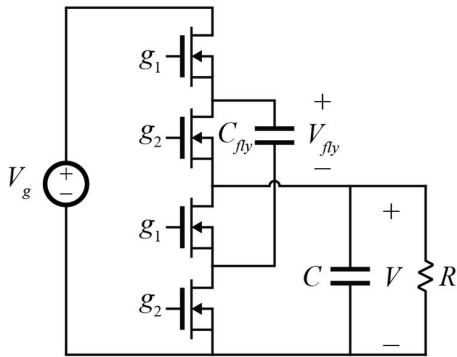
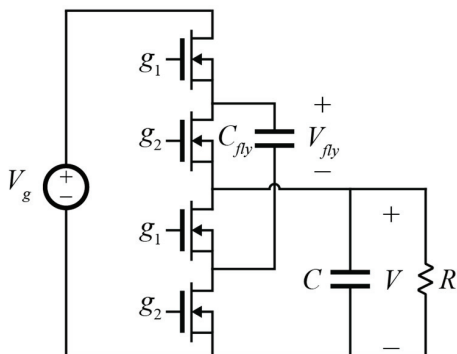


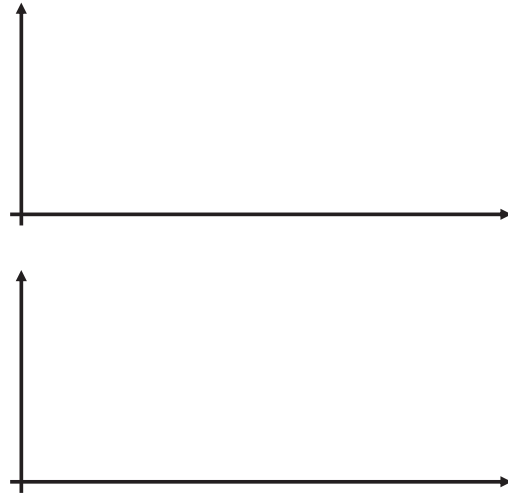
## 2:1 – Current Loaded



## 2:1 – Resonant Implementation



# Slow and Fast Switching Limits

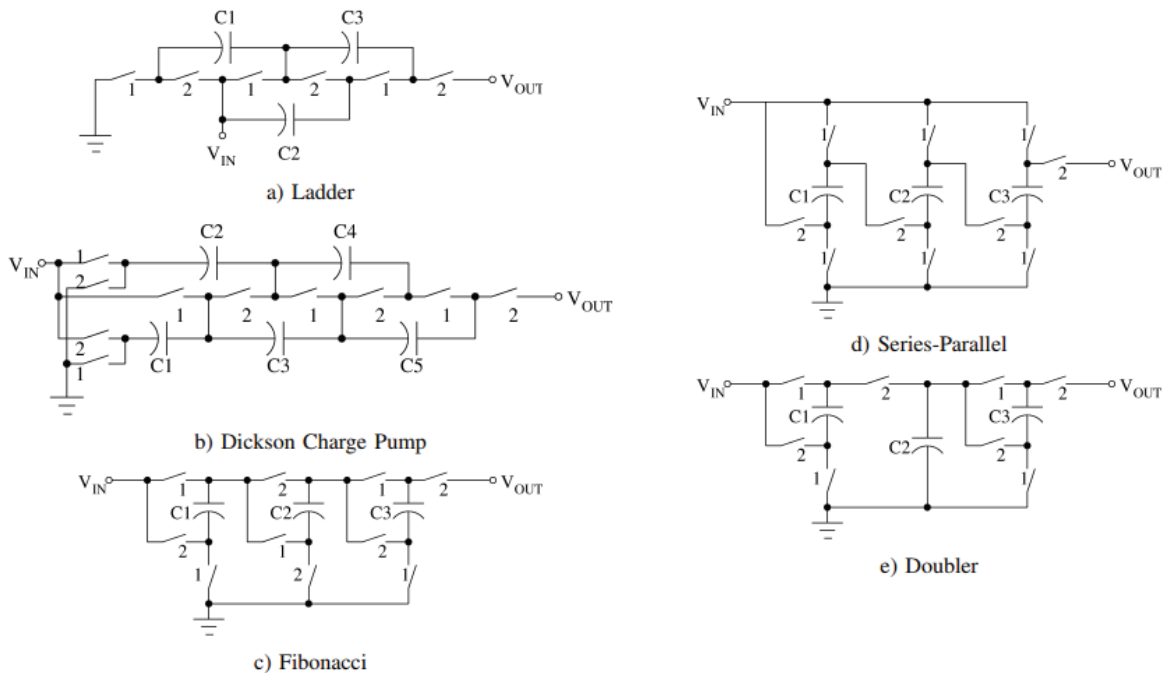


## 2:1 SC – FSL Model

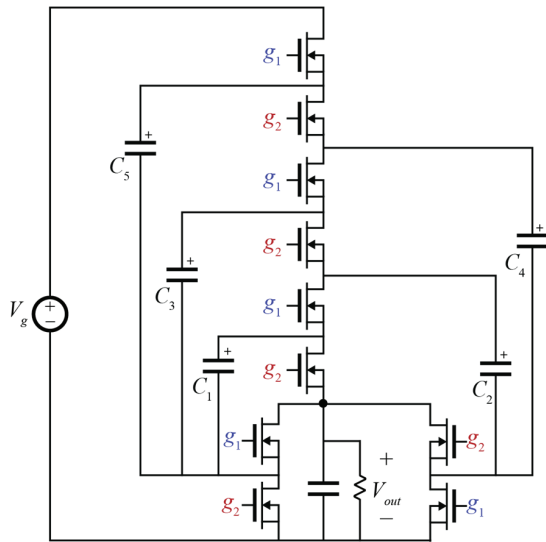
# SSL and FSL



## SC Converter Topologies



# Dickson Converter



Y. Lei, R. May, and R. Pilawa-Podgurski, "Split-Phase Control: Achieving Complete Soft-Charging Operation of a Dickson Switched-Capacitor Converter," 2016

# Dickson Subintervals

