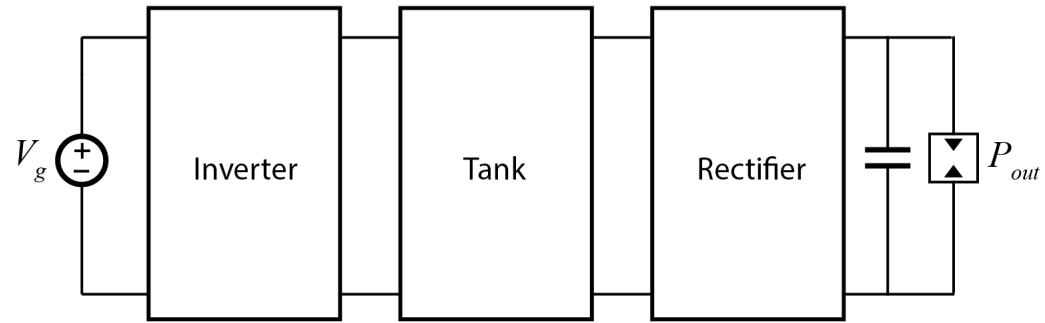
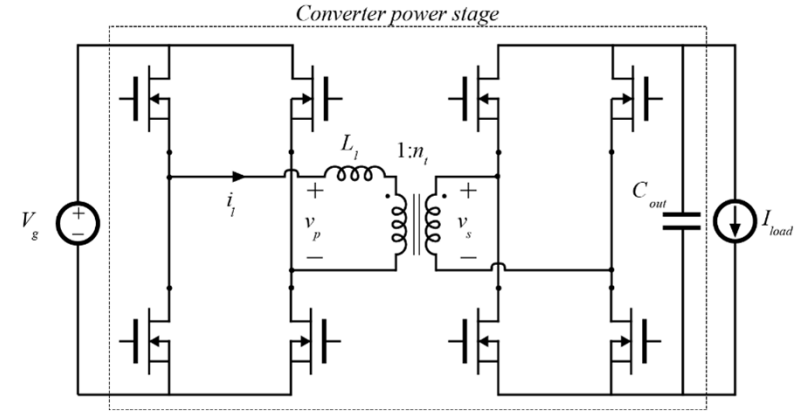
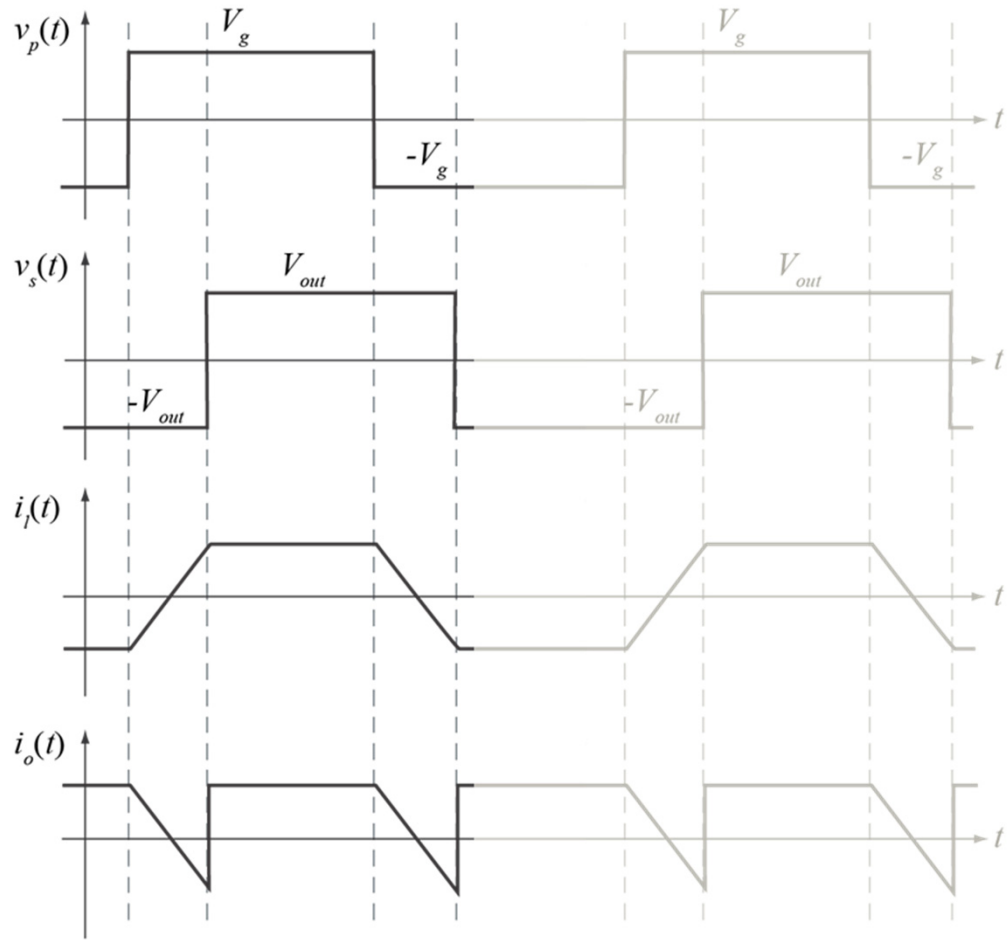


# Symmetric Converters

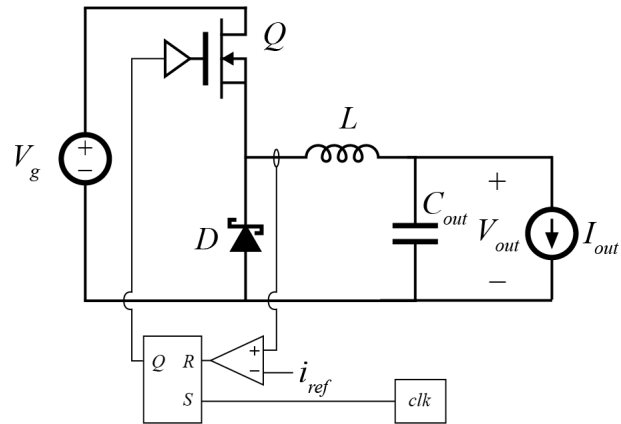
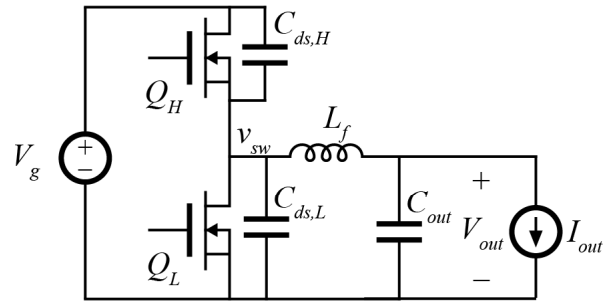
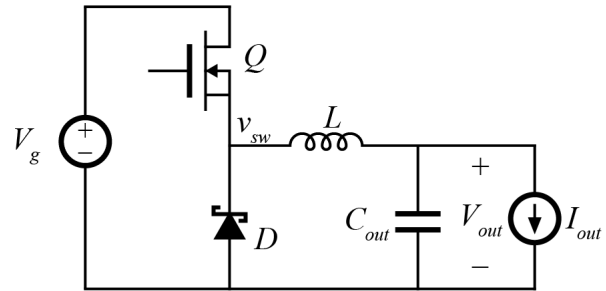


# DAB Example





# State-dependent Switching





# Generalized State Space Modeling

