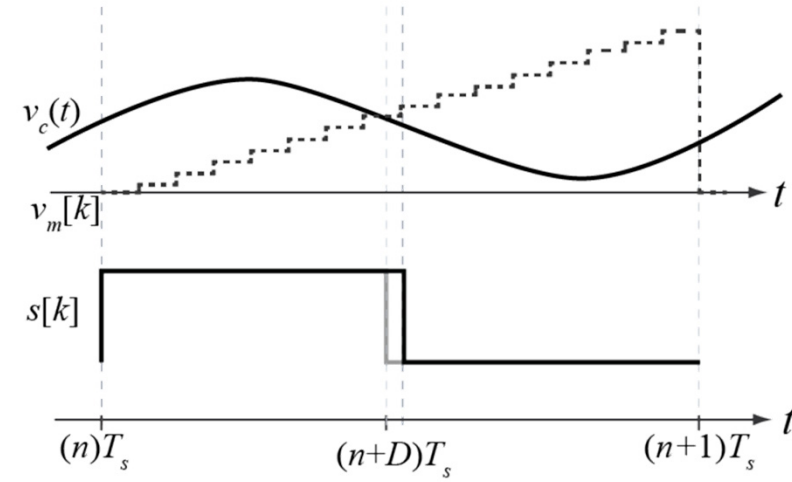
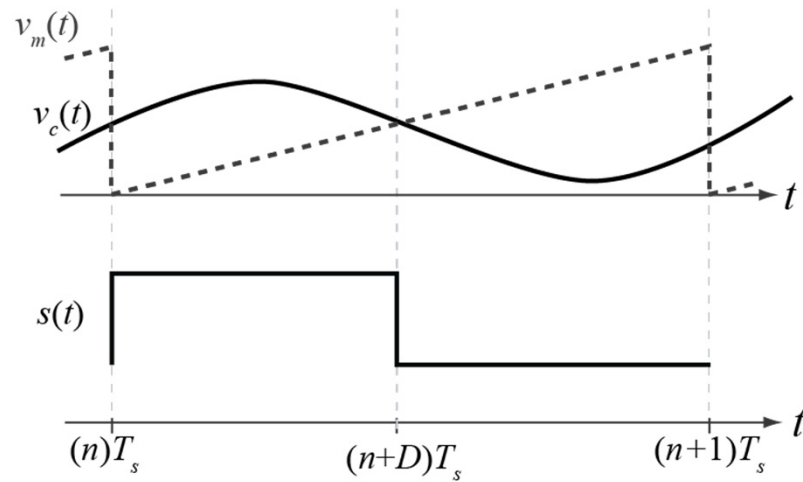
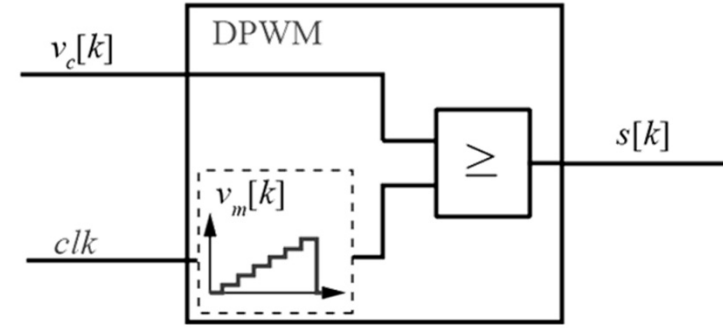
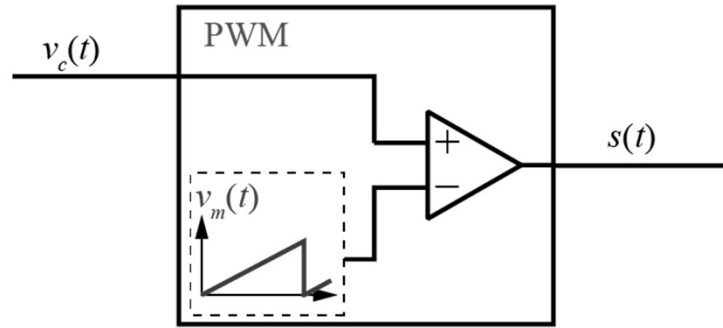
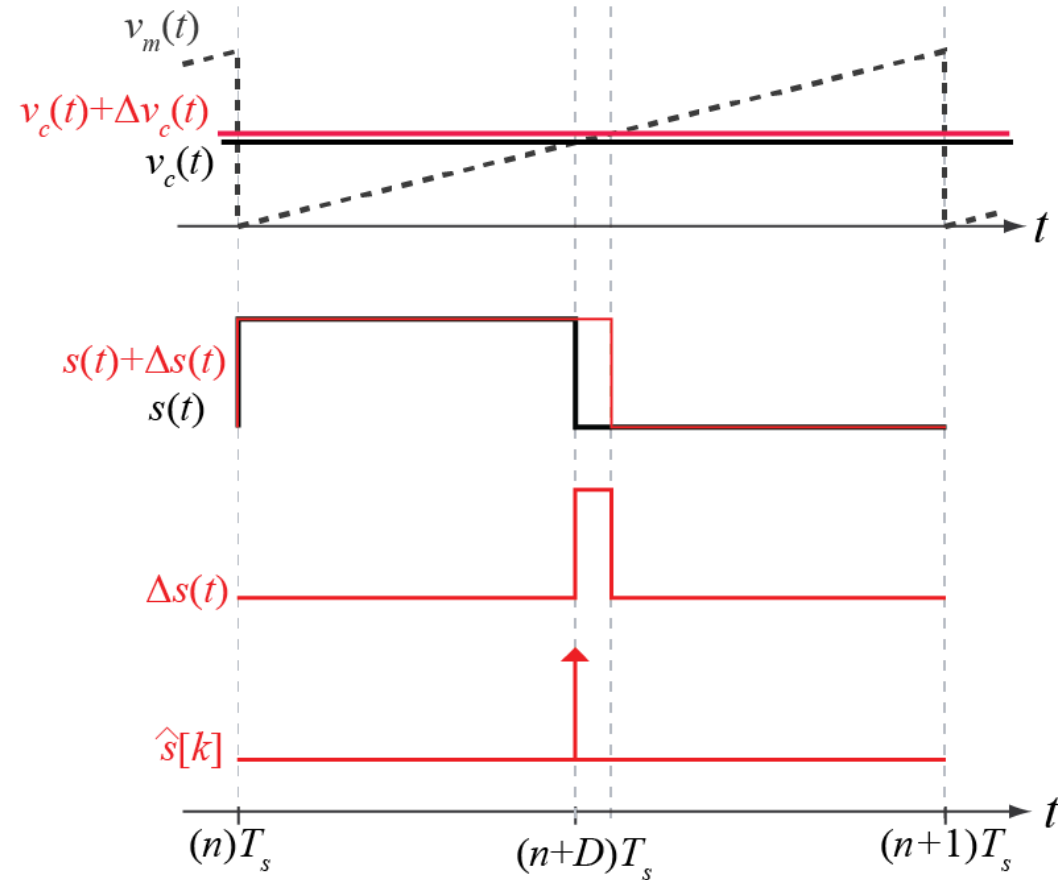


# Sampling in Modulators

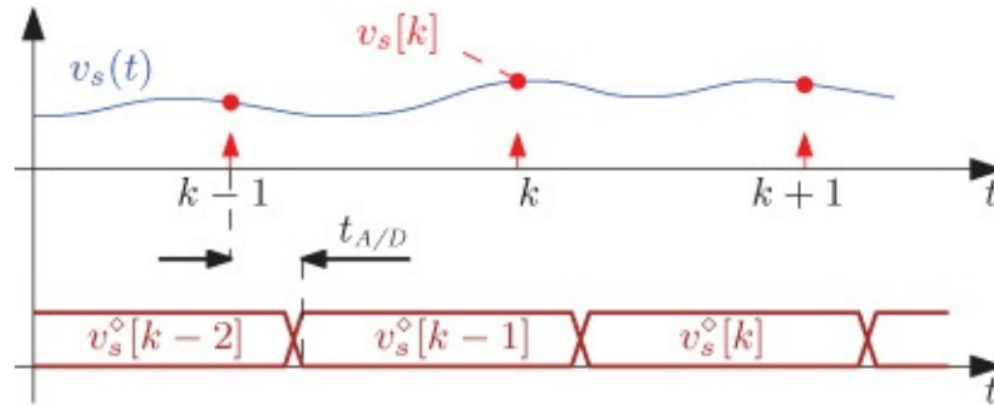
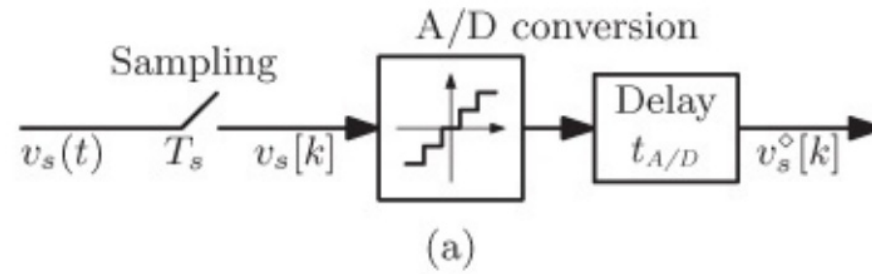


# PWM Small Signal Modeling

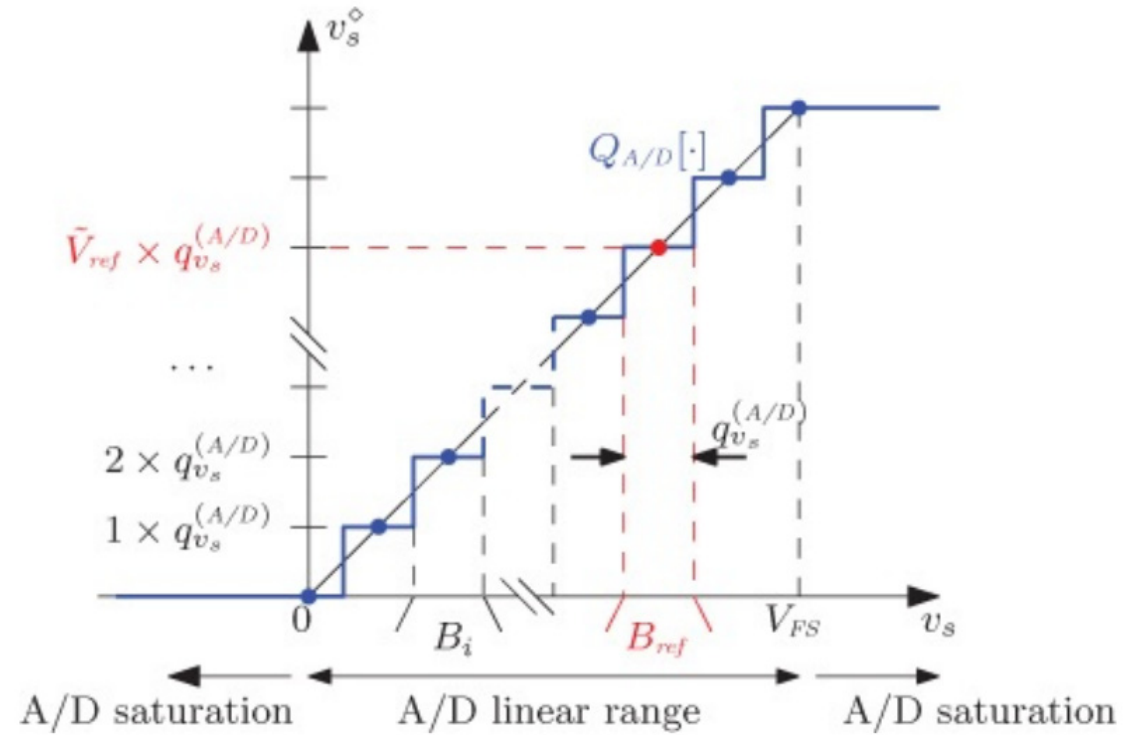


# PWM Model

# ADC Modeling



# ADC Quantization



# Aliasing Review

# DC Aliasing

