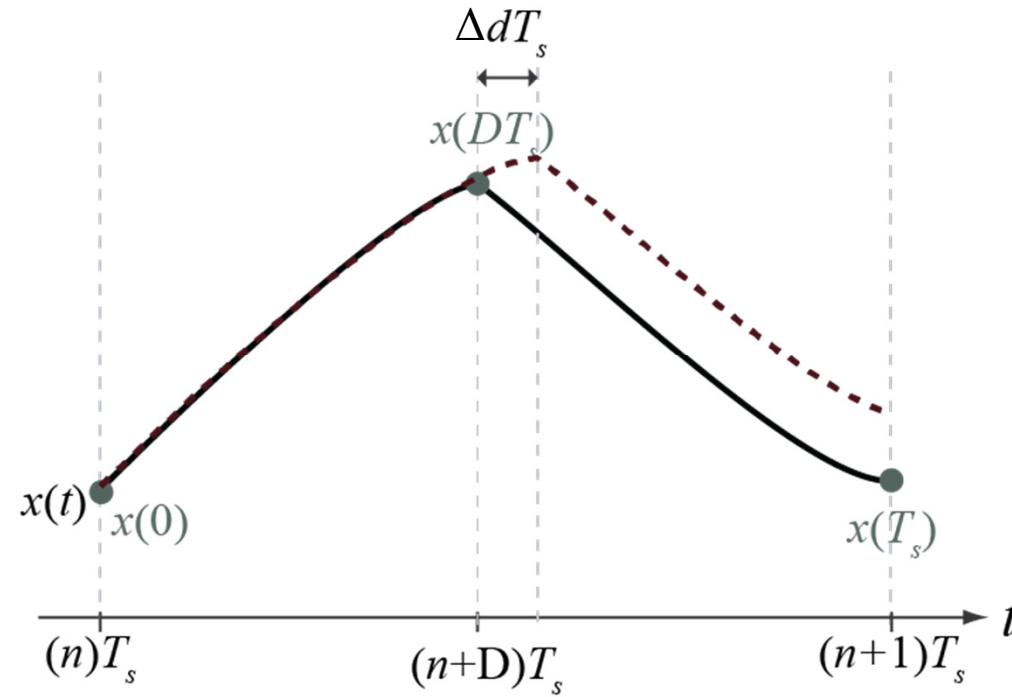


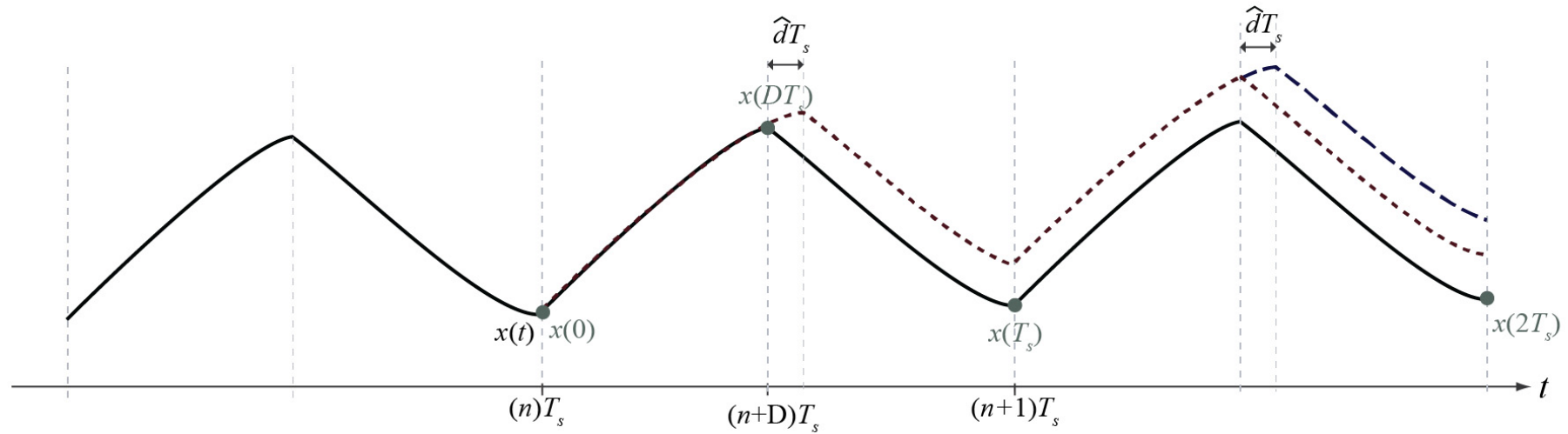




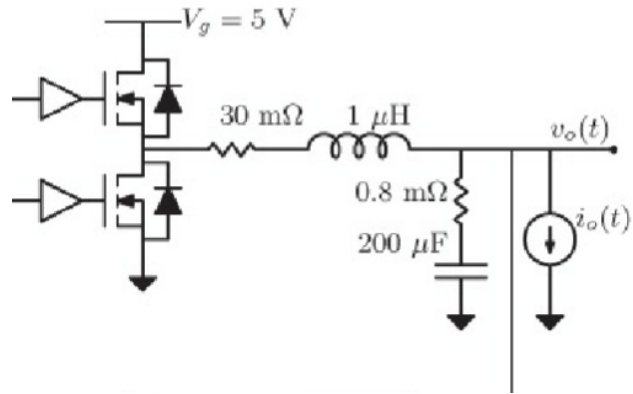
Converter Small Signal Model



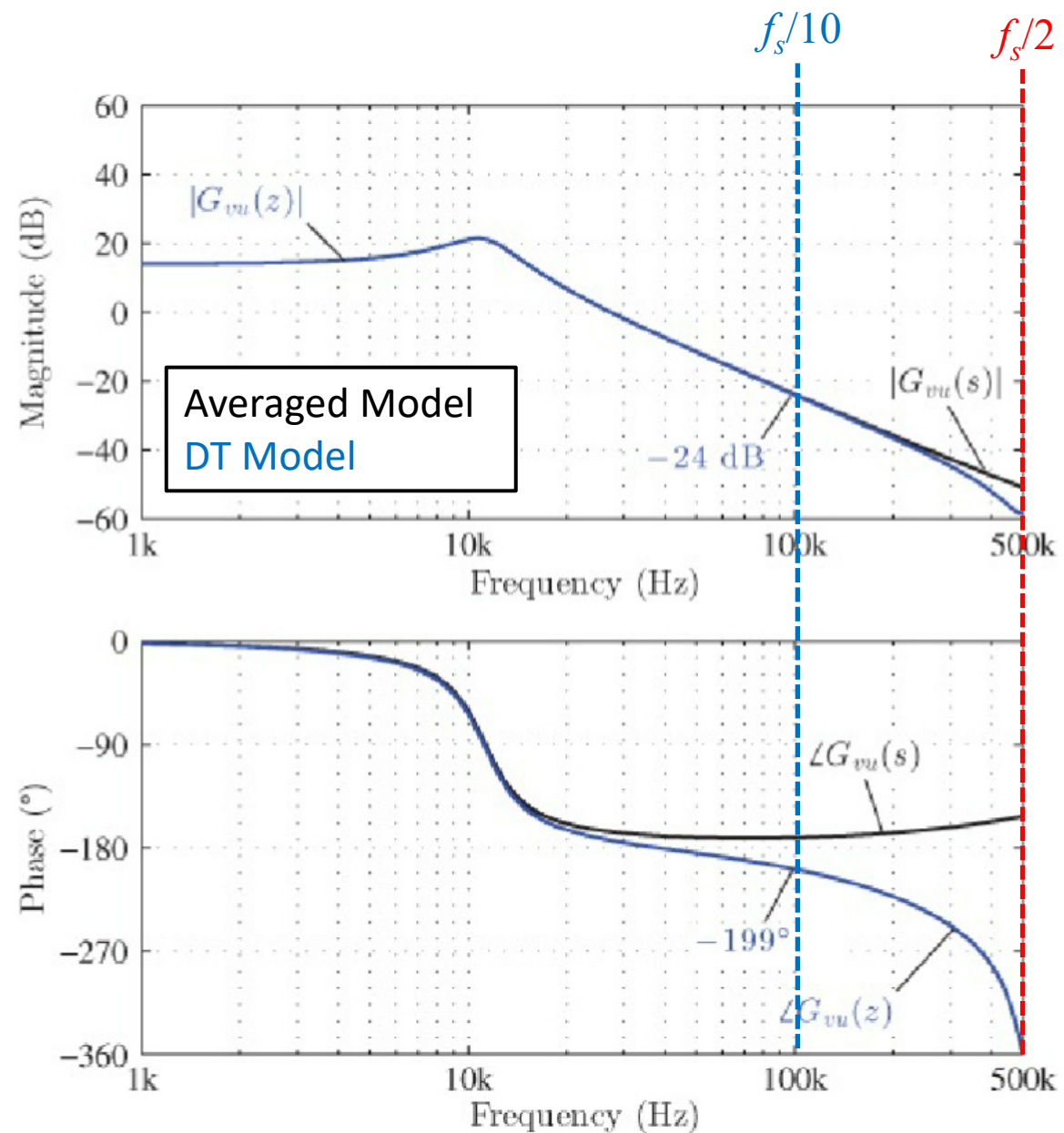
ADC Synchronization



Example Results

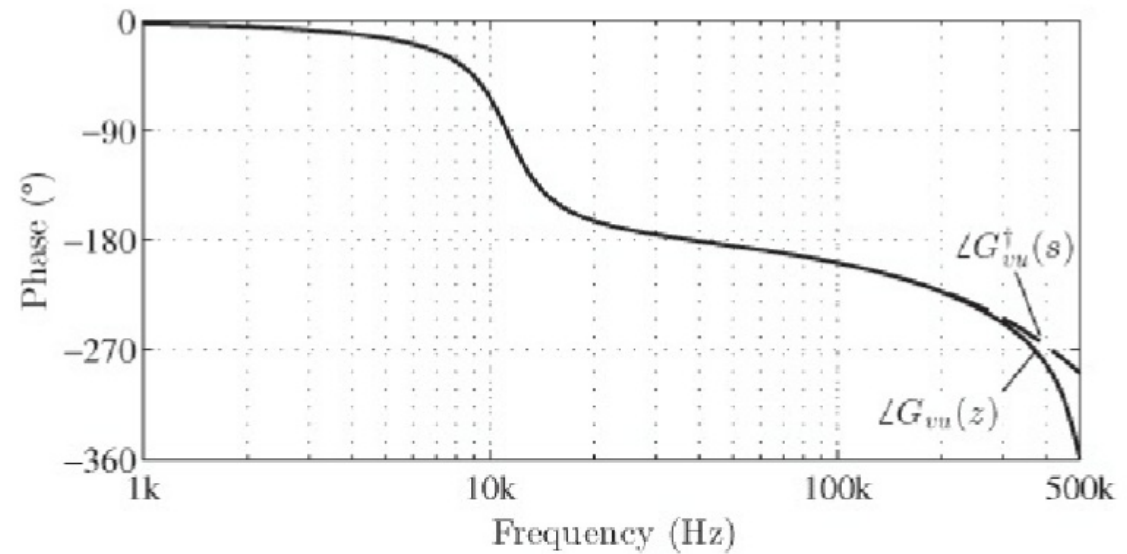
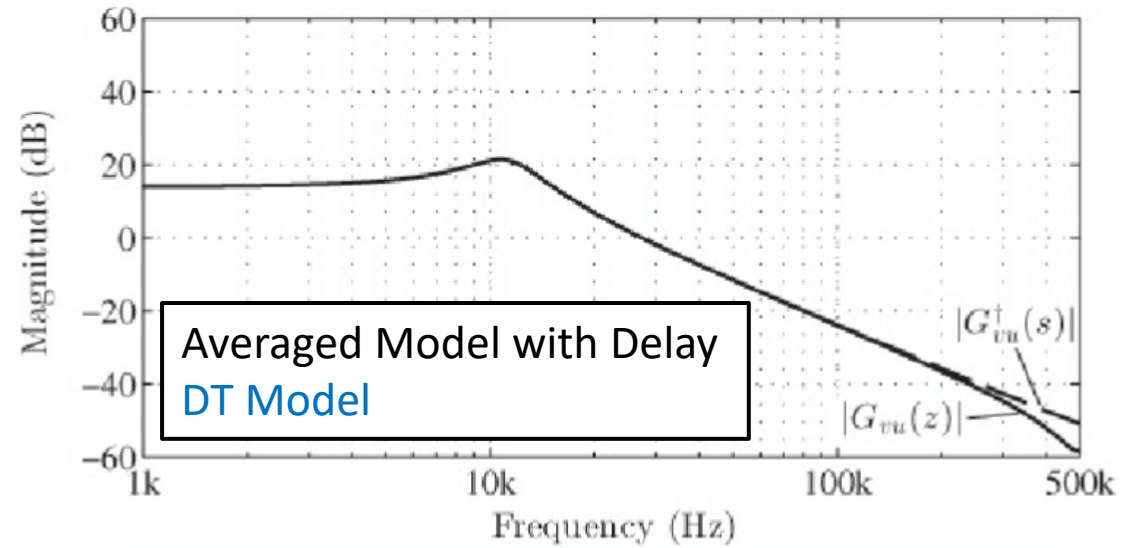


* Includes $t_d=760\text{ns}$ of delay in feedback loop



Inclusion of Delay

$$G_{vu}^+(s) = G_{vu}(s)e^{-std}$$



Current Control

