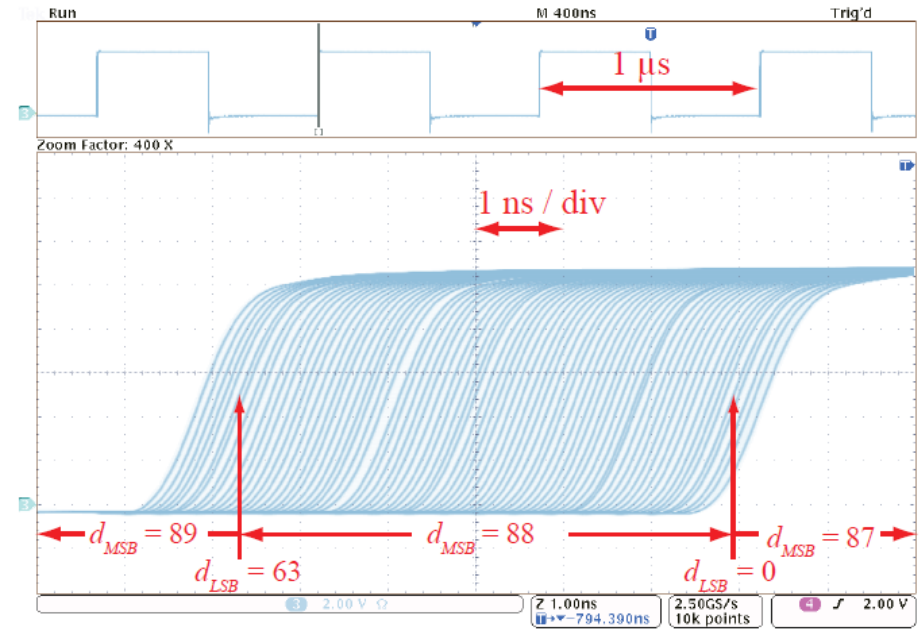
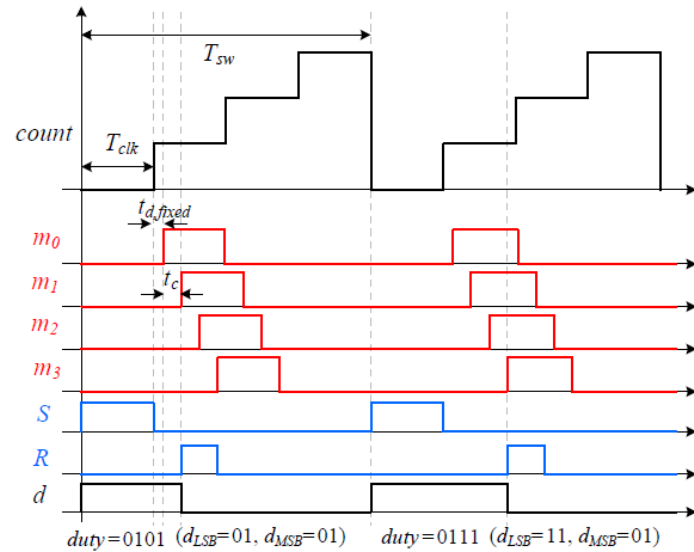
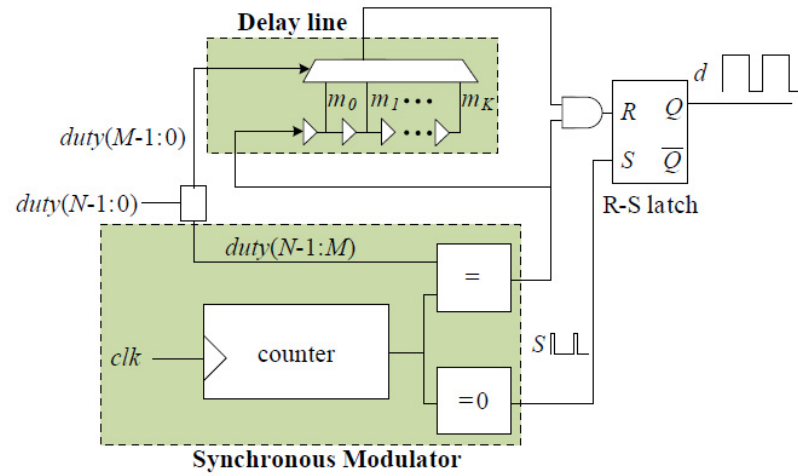


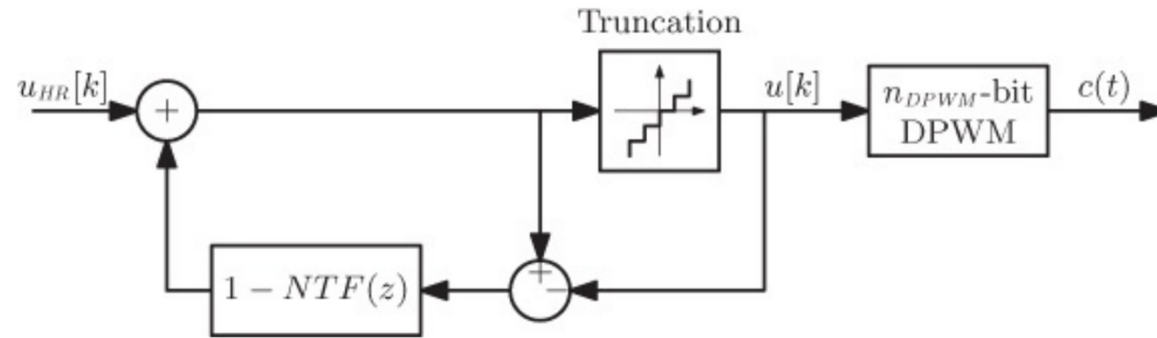
# Integral Gain Limitations

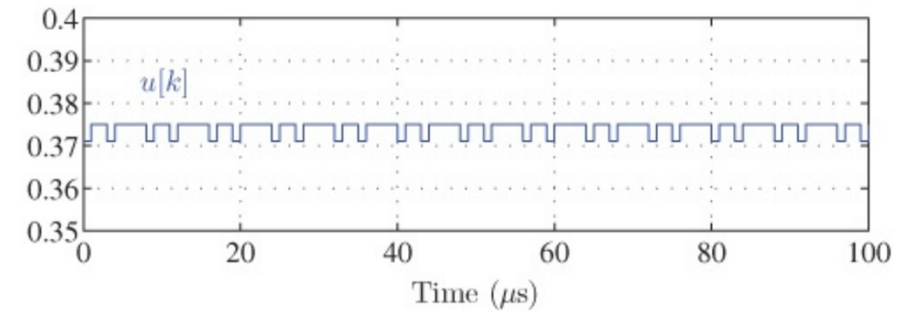
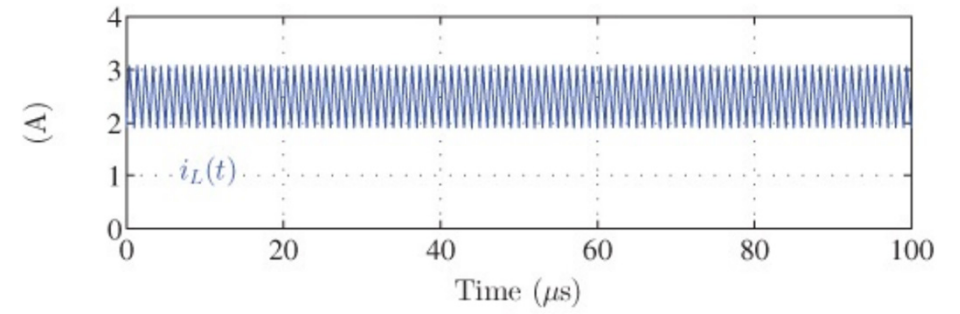
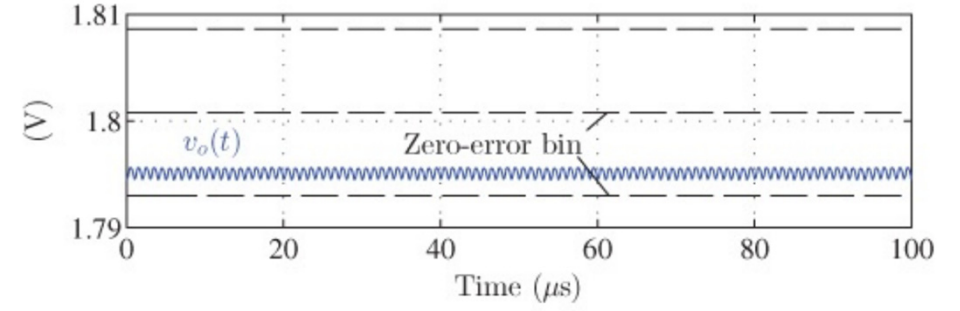
# Limit Cycling Conclusions

# Hybrid DPWM



# $\Sigma\Delta$ Modulation





# Digital Compensator Design