

# Impedance Matching

# Example Matching Applications

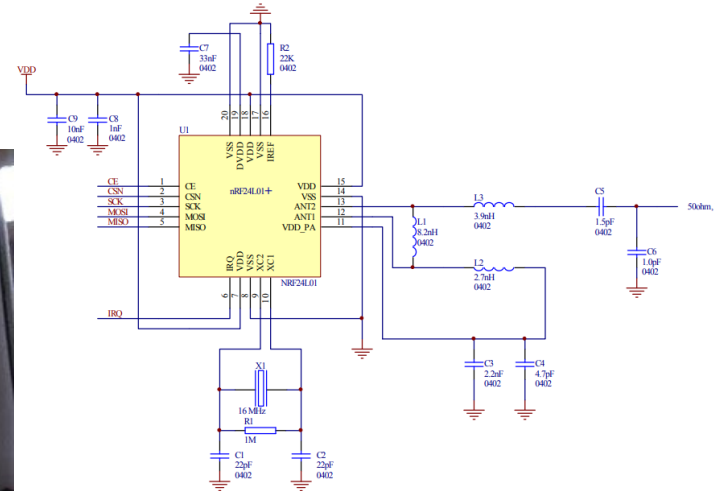
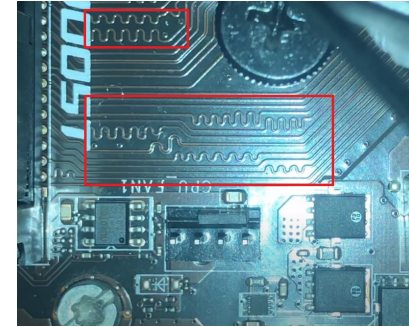
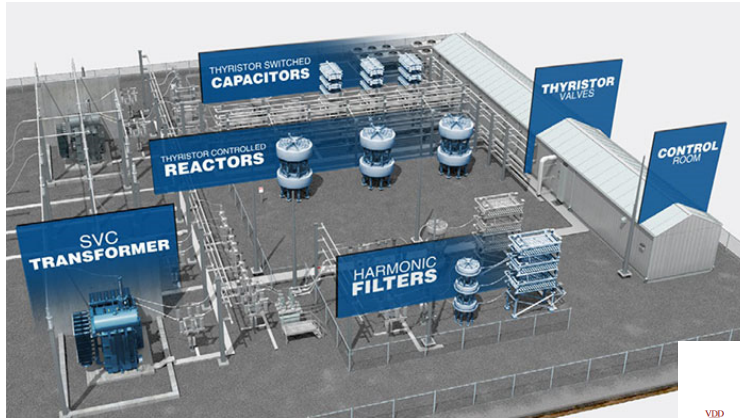


Figure 29. nRF24L01+ schematic for RF layouts with single ended 50Ω RF output

# Example Matching Circuits

# Matching Example



