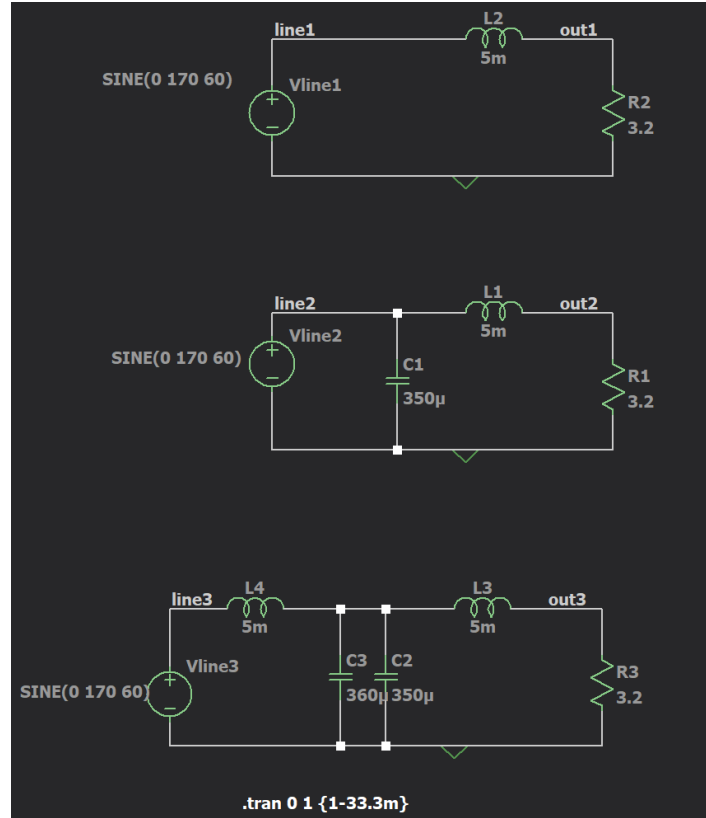
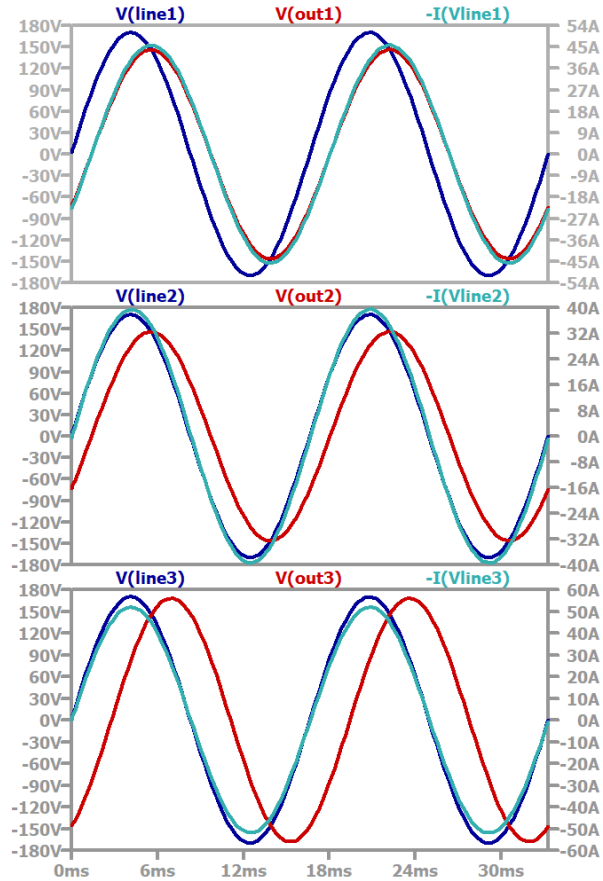






# Simulation Example



# Power Spectrum