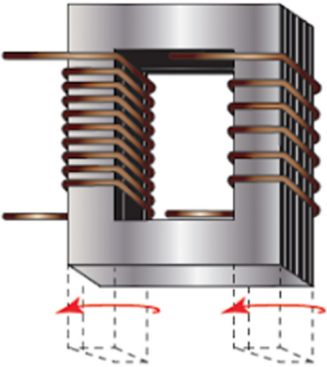
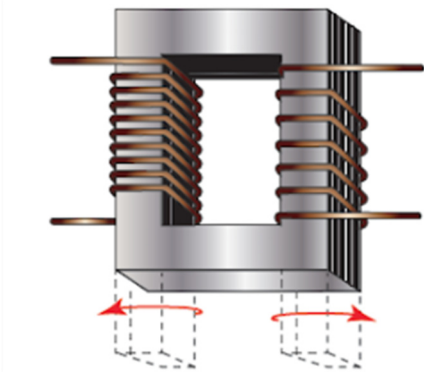
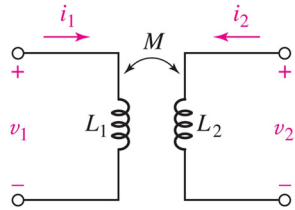
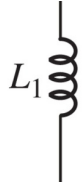


Dot Notation Example

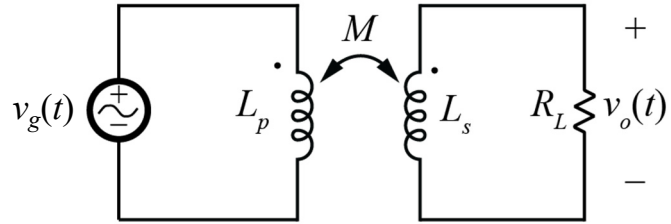


Energy Storage



Coupling Coefficient

Coupled Inductor Example



Equivalent Circuits

