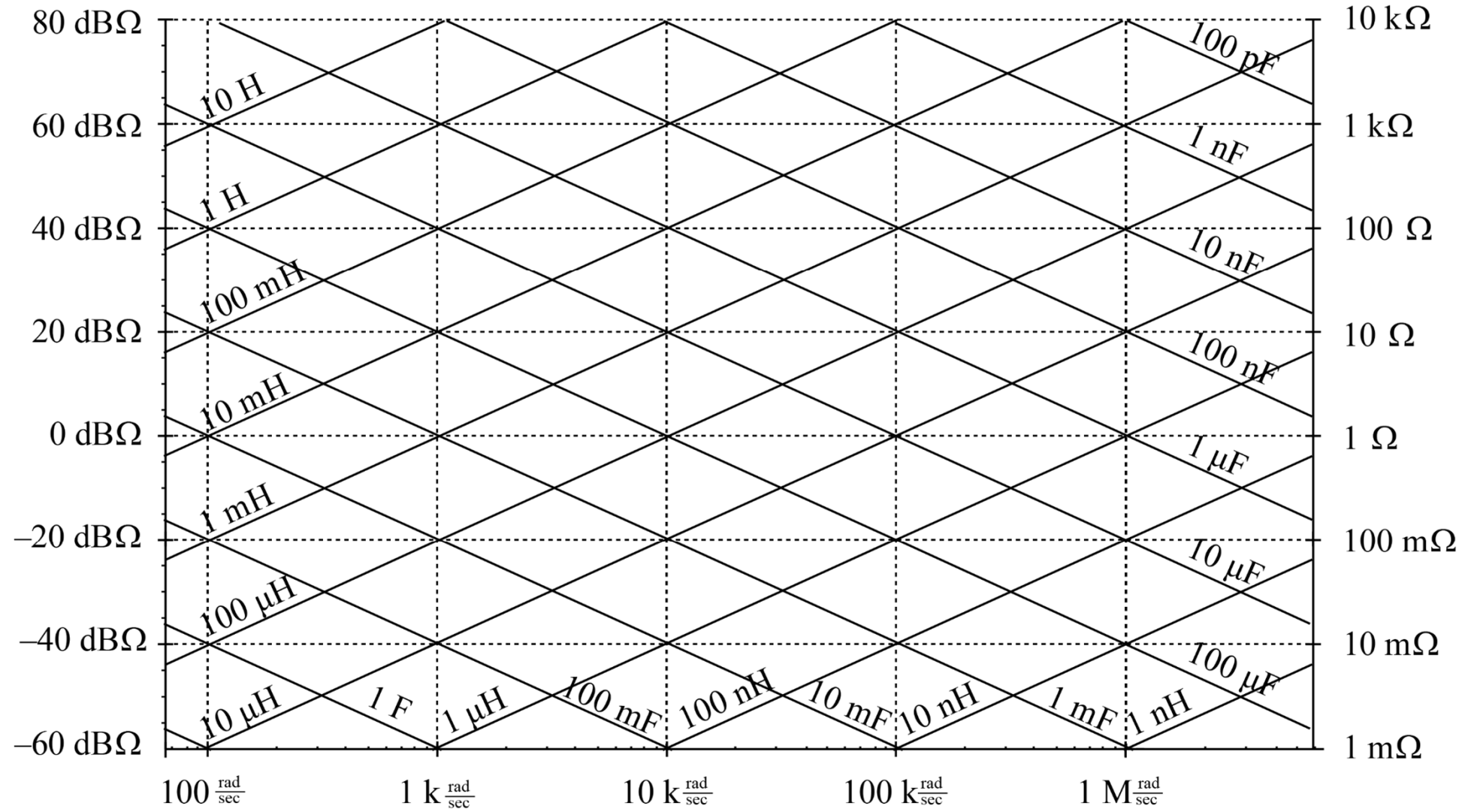
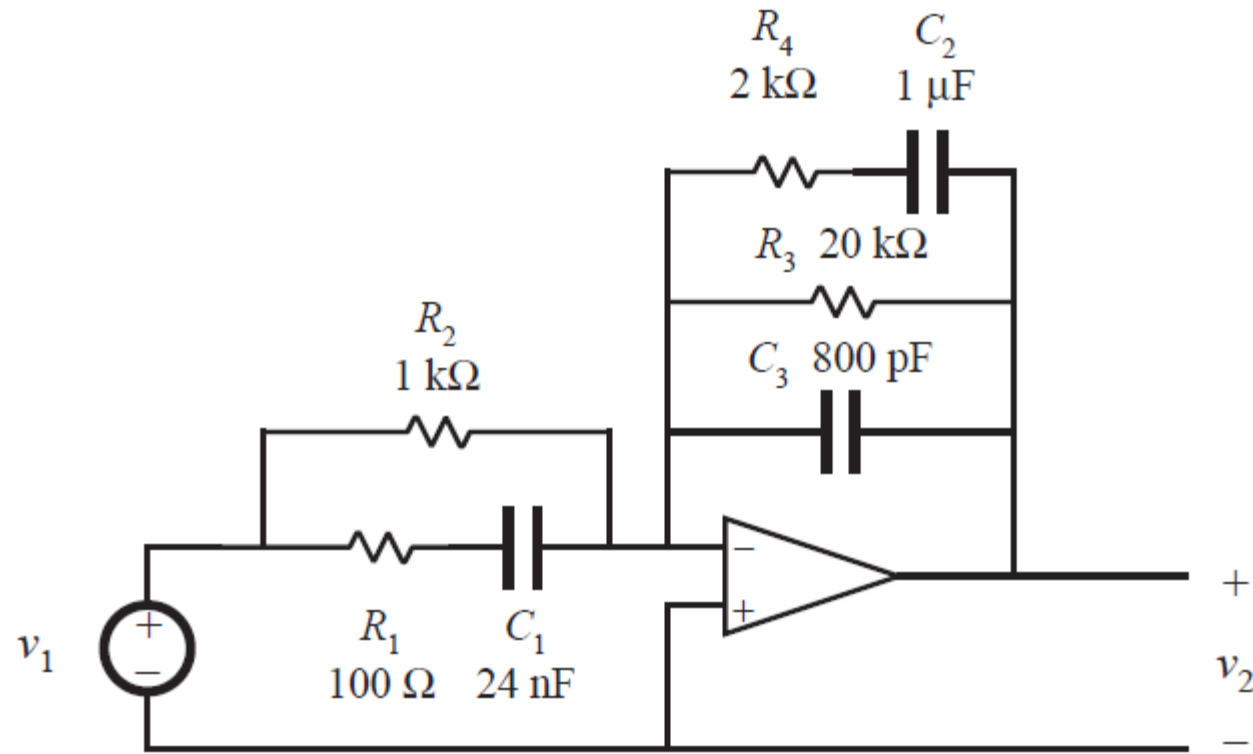


# Approximate Graphical Analysis

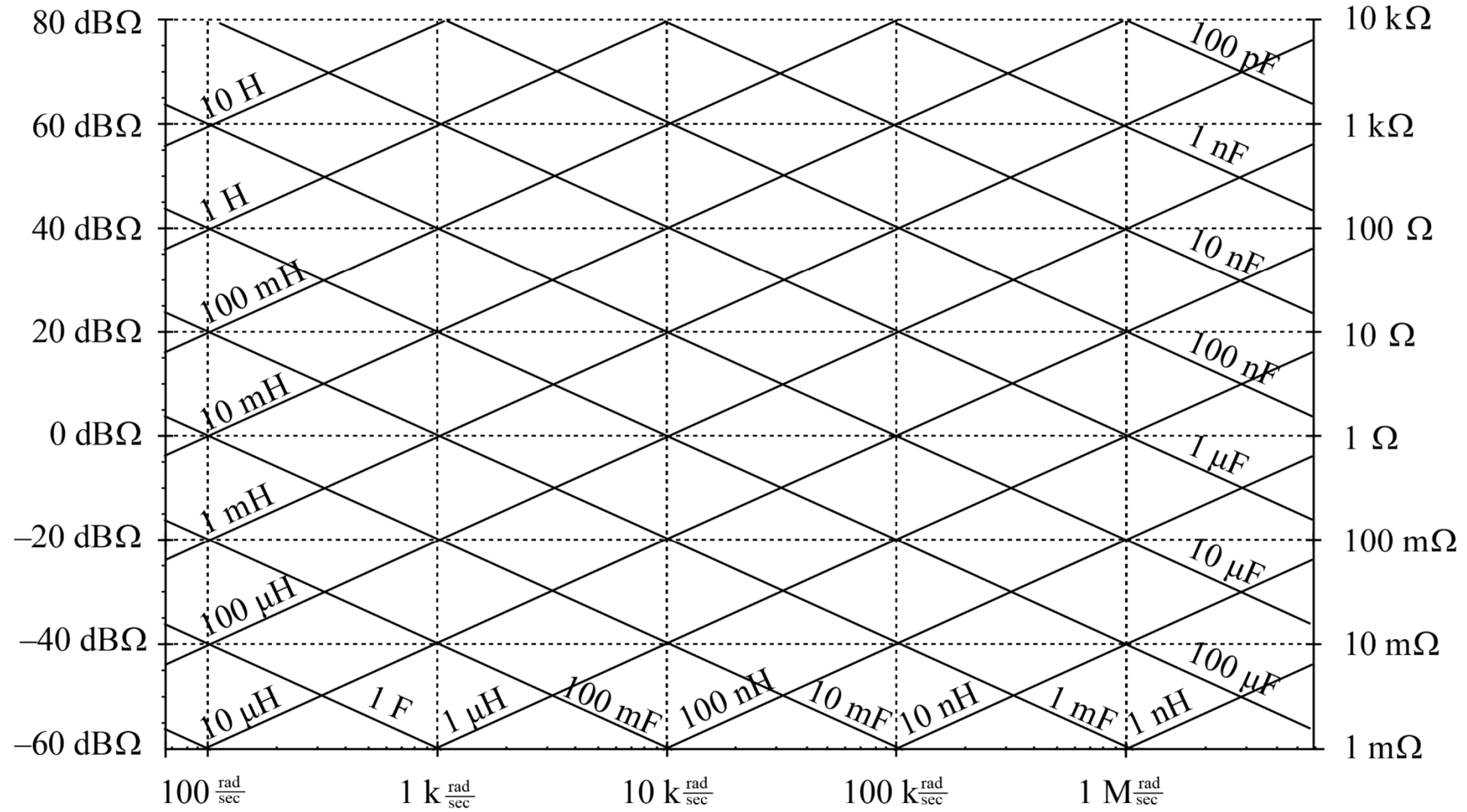
# Reactance Paper



# Graphical Analysis



# Impedance/Reactance Paper



# Scaling and Bandwidth