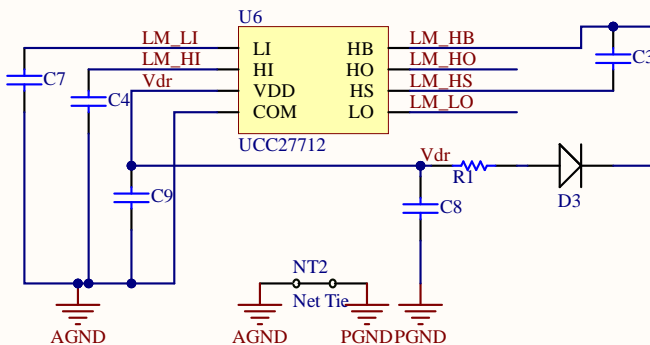
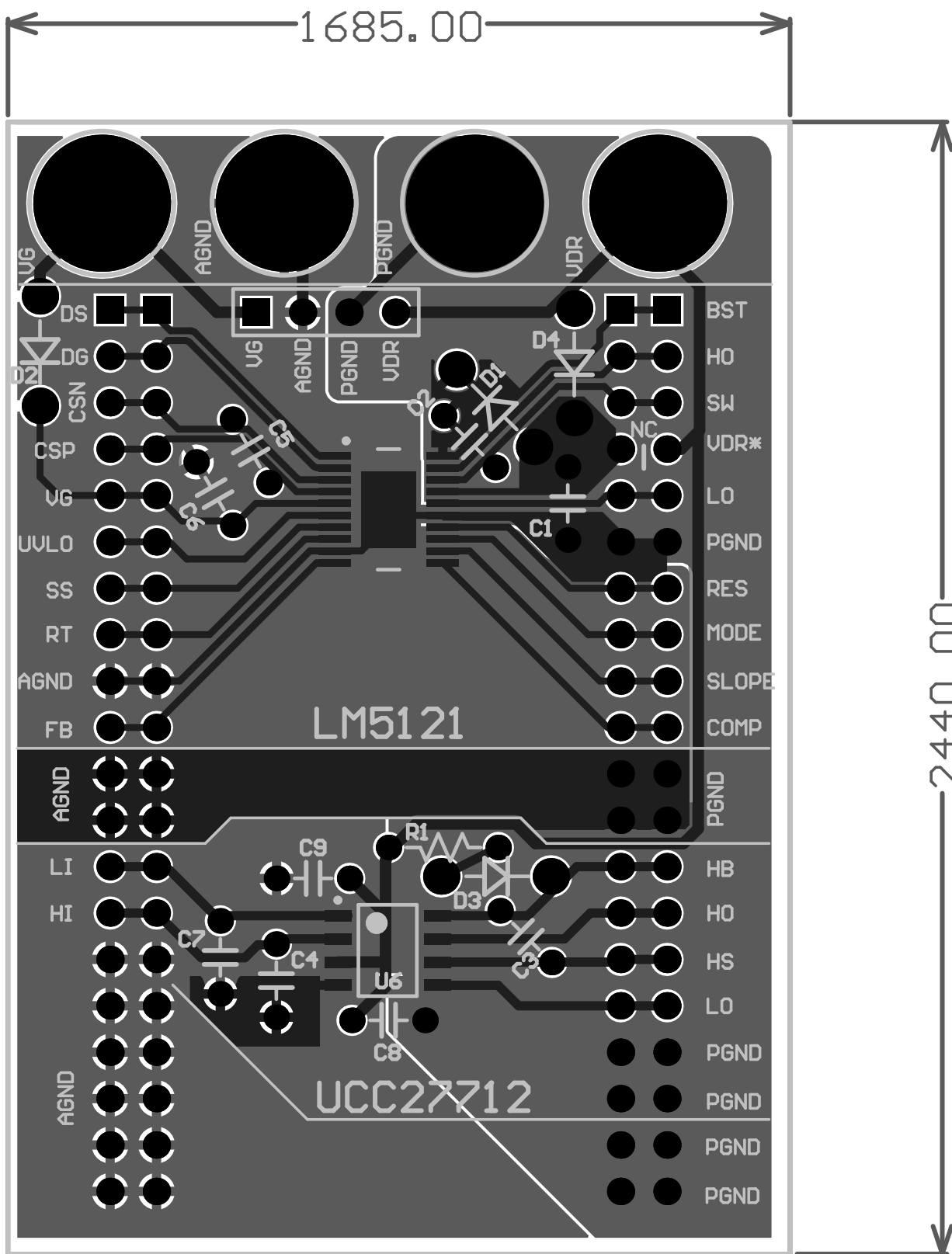


*Note: Vdr not connected to Vcc
For D2 and D4, see Fig. 21 in the LM5121 datasheet



Title		
Size	Number	Revision
A		
Date:	3/07/2024	Sheet of
File:	T:\PCBs\...\BOB-Schem.SchDoc	Drawn By:

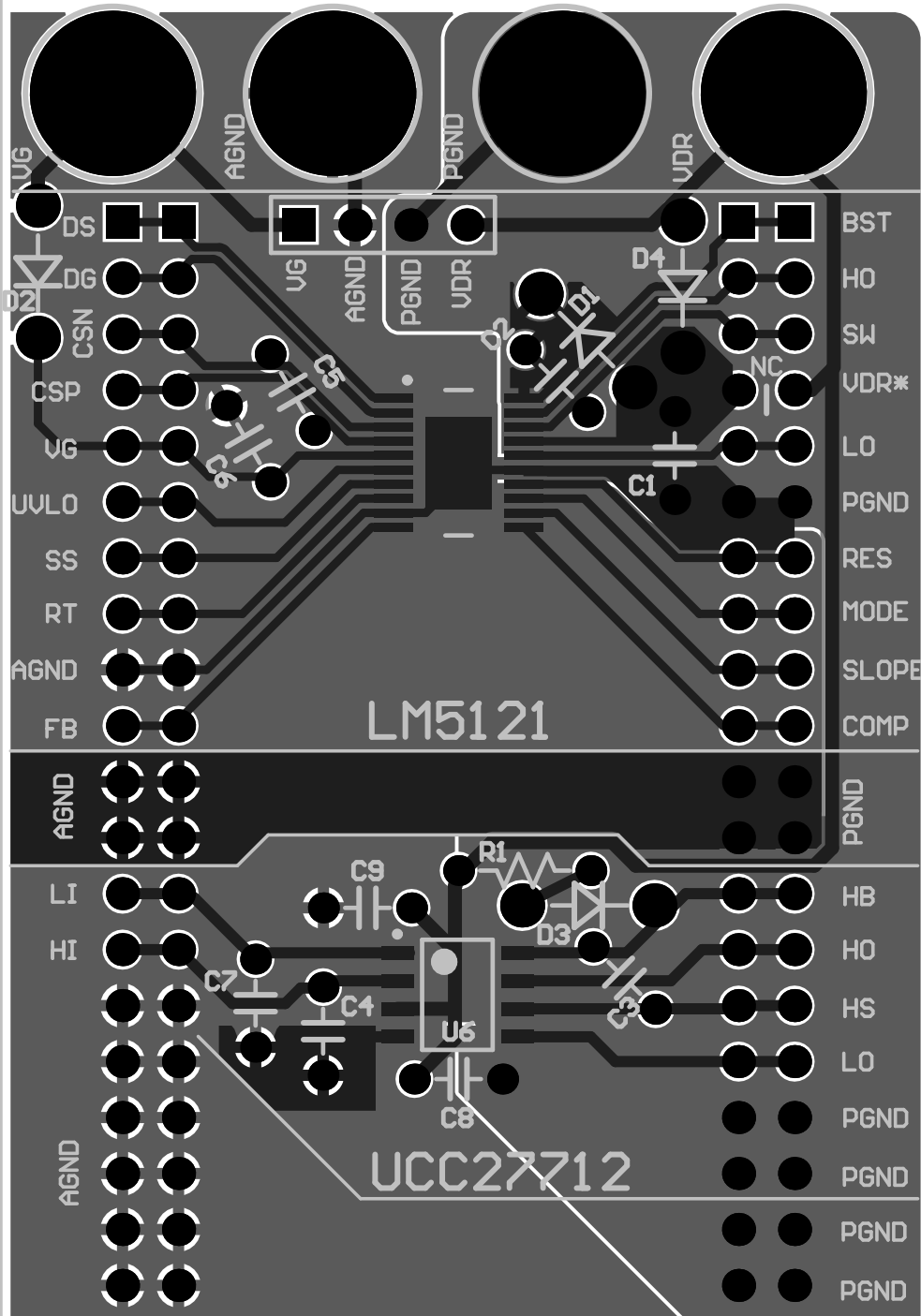
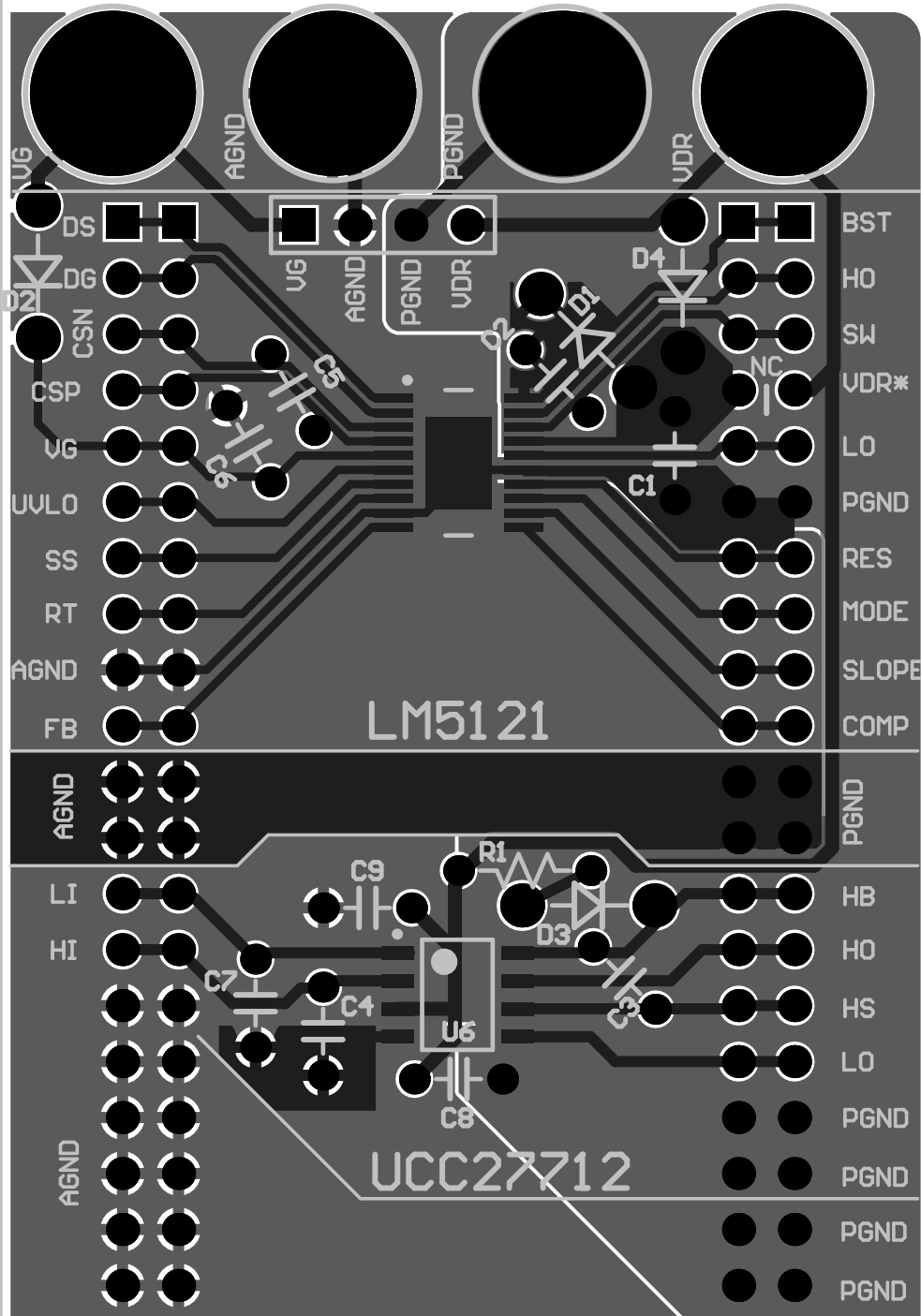


1685.00

2440.00

LM5121

UCC27712



Comment	Description	Designator	Footprint	LibRef	Quantity
Cap	Capacitor	C1, C2, C3, C4, C5, C6, C7, C8, C9	Axial C - Narrow	Cap	9
Diode		D1, D2, D3, D4	Axial D	Diode	4
Header 4	Header, 4-Pin	P1	HDR1X4	Header 4	1
Header 20	Header, 20-Pin	P2, P3, P4, P5	HDR1X20	Header 20	4
Res Semi	Semiconductor Resistor	R1	Axial R - Narrow	Res Semi	1
Banana Jack	575-8	U1, U2, U3, U4	Banana Jack	Banana Jack	4
LM5121	V/I Boost Controller With Disconnect	U5	LM5121	LM5121	1
UCC27712	620 V Half Bridge Gate Driver with Interlock	U6	UCC27712	UCC27712	1