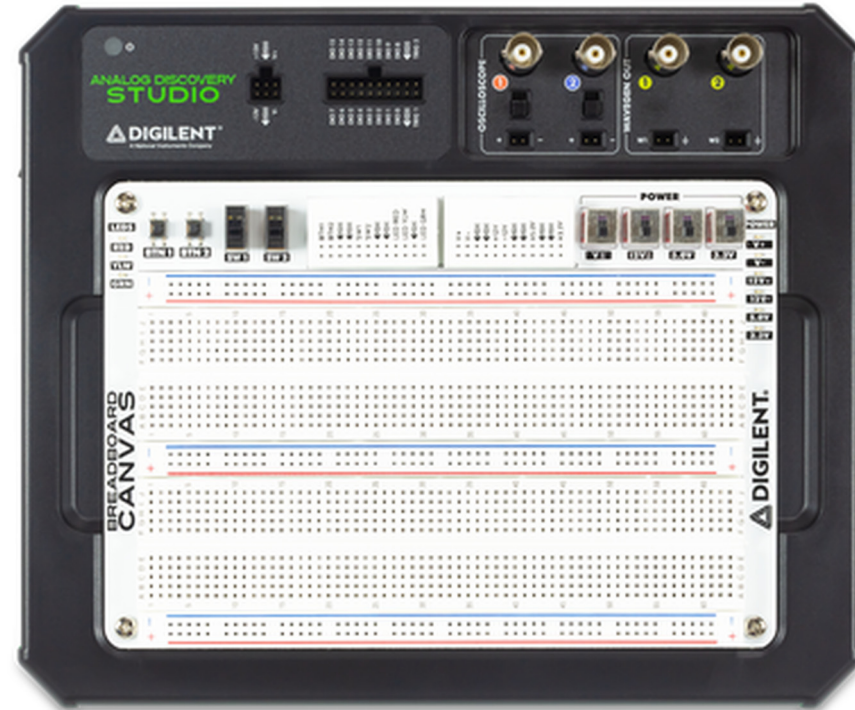
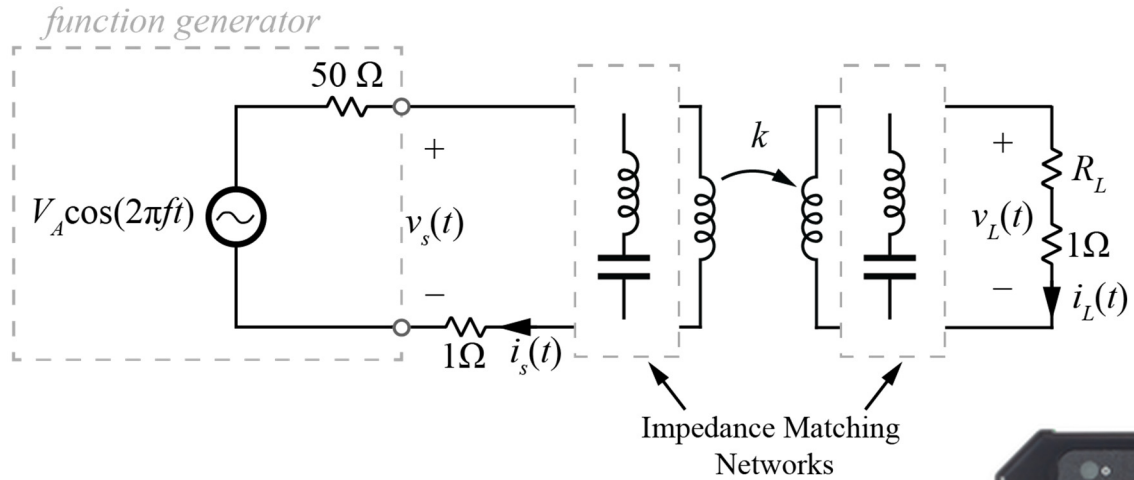


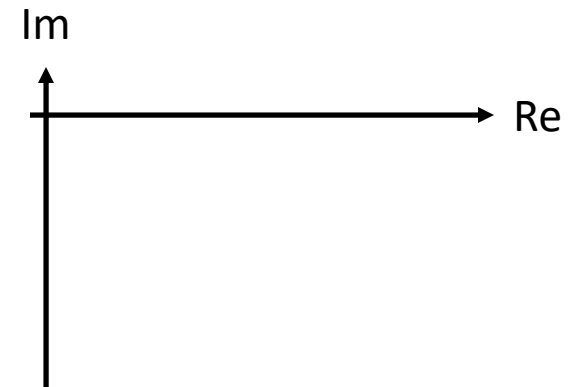
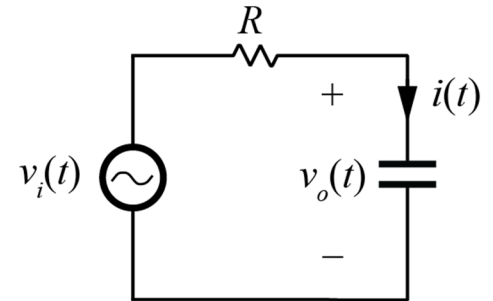
Probe Grounding



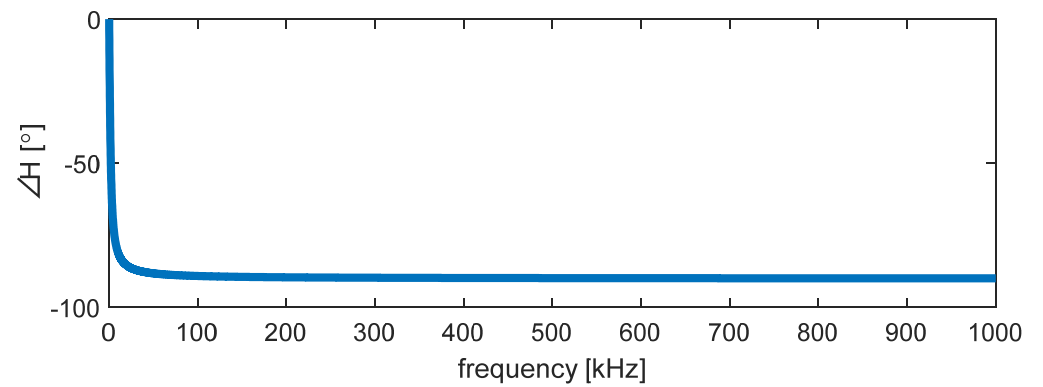
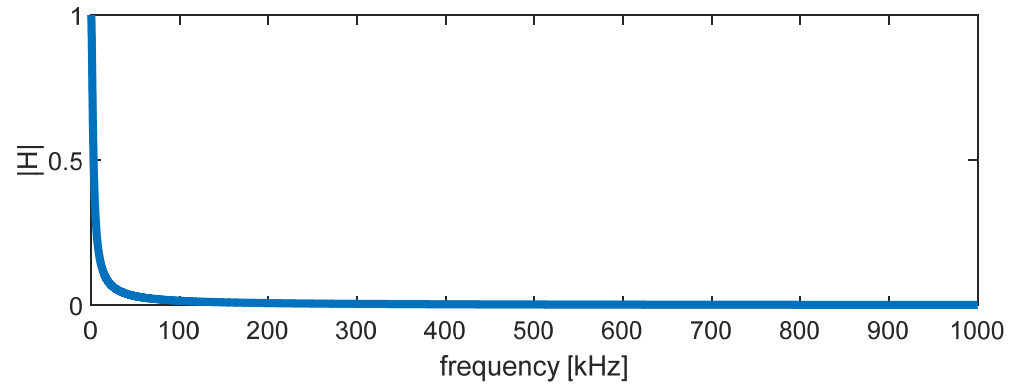
LTSpice Parameter Sweeps

Limitations of Phasor Analysis

Frequency Response



Frequency Response



Bode Plot – Frequency Response

