

Complex Roots: Complex Math

$$\text{ex } F(s) = \frac{1}{s^2 - 2s + 2}$$

$$P_{1,2} = \frac{2 \pm \sqrt{4 - 4(1)(2)}}{2(1)} = 1 \pm j$$

$$F(s) = \frac{1}{s^2 - 2s + 2} = \frac{1}{(s - (1+j))(s - (1-j))} = \frac{k_1}{(s - (1+j))} + \frac{k_2}{(s - (1-j))}$$

Complex roots will always occur in conjugate pairs $(s-p)(s-p^*)$ and their residues will always be complex conjugates $k_1 = k_2^*$, for any real signals & systems

$$k_1 = \left. \frac{1}{s - (1-j)} \right|_{s=1+j} = \frac{1}{2j}$$

$$k_2 = \left. \frac{1}{s - (1+j)} \right|_{s=1-j} = \frac{-1}{2j} = k_1^* \checkmark$$

$$F(s) = \frac{\frac{1}{2j}}{s - (1+j)} + \frac{\frac{-1}{2j}}{s - (1-j)}$$

$$f(t) = \mathcal{L}^{-1}\{F(s)\} = \frac{1}{2j} e^{(1+j)t} u(t) + \left(\frac{-1}{2j}\right) e^{(1-j)t} u(t)$$

$$f(t) = \frac{1}{2j} e^t u(t) \left[\underline{e^{jt} - e^{-jt}} \right]$$

$$f(t) = e^t \sin(t) u(t)$$

Euler's Formula

$$\cos\theta = \frac{1}{2} (e^{j\theta} + e^{-j\theta})$$

$$\sin\theta = \frac{1}{2j} (e^{j\theta} - e^{-j\theta})$$

Complex Roots: General Case

$$\mathcal{L}^{-1} \left\{ \frac{k}{s - (\sigma + j\omega)} + \frac{k^*}{s - (\sigma - j\omega)} \right\}$$

$$= \left[k e^{(\sigma + j\omega)t} + k^* e^{(\sigma - j\omega)t} \right] u(t)$$

$$k = \operatorname{Re}\{k\} + j \operatorname{Im}\{k\}$$

$$k^* = \operatorname{Re}\{k\} - j \operatorname{Im}\{k\}$$

$$= e^{\sigma t} \left[2 \operatorname{Re}\{k\} \left(\frac{e^{j\omega t} + e^{-j\omega t}}{2} \right) + (2j \operatorname{Im}\{k\}) \left(\frac{e^{j\omega t} - e^{-j\omega t}}{2j} \right) \right] u(t)$$

$$= e^{\sigma t} \left[2 \operatorname{Re}\{k\} \cos(\omega t) - 2 \operatorname{Im}\{k\} \sin(\omega t) \right] u(t)$$

$$= e^{\sigma t} \left[\sqrt{(2 \operatorname{Re}\{k\})^2 + (2 \operatorname{Im}\{k\})^2} \cos\left(\omega t + \tan^{-1}\left(\frac{-2 \operatorname{Im}\{k\}}{2 \operatorname{Re}\{k\}}\right)\right) \right] u(t)$$

$$= e^{\sigma t} 2|k| \cos(\omega t - \angle k) u(t)$$

TABLE 14.2 Laplace Transform Operations

Operation	$f(t)$	$\mathbf{F}(s)$
Addition	$f_1(t) \pm f_2(t)$	$\mathbf{F}_1(s) \pm \mathbf{F}_2(s)$
Scalar multiplication	$kf(t)$	$k\mathbf{F}(s)$
Time differentiation	$\frac{df}{dt}$	$s\mathbf{F}(s) - f(0^-)$
	$\frac{d^2f}{dt^2}$	$s^2\mathbf{F}(s) - sf(0^-) - f'(0^-)$
	$\frac{d^3f}{dt^3}$	$s^3\mathbf{F}(s) - s^2f(0^-) - sf'(0^-) - f''(0^-)$
Time integration	$\int_0^t f(t) dt$	$\frac{1}{s}\mathbf{F}(s)$
	$\int_{-\infty}^t f(t) dt$	$\frac{1}{s}F(s) + \frac{1}{s} \int_{-\infty}^{0^-} f(t) dt$
Convolution	$f_1(t) * f_2(t)$	$\mathbf{F}_1(s)\mathbf{F}_2(s)$
Time shift	$f(t-a)u(t-a), a \geq 0$	$e^{-as}\mathbf{F}(s)$
Frequency shift	$f(t)e^{-at}$	$\mathbf{F}(s+a)$
Frequency differentiation	$tf(t)$	$-\frac{d\mathbf{F}(s)}{ds}$
Frequency integration	$\frac{f(t)}{t}$	$\int_s^\infty \mathbf{F}(s) ds$
Scaling	$f(at), a \geq 0$	$\frac{1}{a}\mathbf{F}\left(\frac{s}{a}\right)$
Initial value	$f(0^+)$	$\lim_{s \rightarrow \infty} s\mathbf{F}(s)$
Final value	$f(\infty)$	$\lim_{s \rightarrow 0} s\mathbf{F}(s)$, all poles of $s\mathbf{F}(s)$ in LHP
Time periodicity	$f(t) = f(t+nT), n = 1, 2, \dots$	$\frac{1}{1-e^{-Ts}}\mathbf{F}_1(s)$, where $\mathbf{F}_1(s) = \int_0^T f(t)e^{-st} dt$

TABLE 14.1 Laplace Transform Pairs

$f(t) = \mathcal{L}^{-1}\{\mathbf{F}(s)\}$	$\mathbf{F}(s) = \mathcal{L}\{f(t)\}$
$\delta(t)$	1
$u(t)$	$\frac{1}{s}$
$tu(t)$	$\frac{1}{s^2}$
$\frac{t^{n-1}}{(n-1)!}u(t), n = 1, 2, \dots$	$\frac{1}{s^n}$
$e^{-\alpha t}u(t)$	$\frac{1}{s + \alpha}$
$te^{-\alpha t}u(t)$	$\frac{1}{(s + \alpha)^2}$
$\frac{t^{n-1}}{(n-1)!}e^{-\alpha t}u(t), n = 1, 2, \dots$	$\frac{1}{(s + \alpha)^n}$
$\frac{1}{\beta - \alpha}(e^{-\alpha t} - e^{-\beta t})u(t)$	$\frac{1}{(s + \alpha)(s + \beta)}$
$\sin \omega t u(t)$	$\frac{\omega}{s^2 + \omega^2}$
$\cos \omega t u(t)$	$\frac{s}{s^2 + \omega^2}$
$\sin(\omega t + \theta)u(t)$	$\frac{s \sin \theta + \omega \cos \theta}{s^2 + \omega^2}$
$\cos(\omega t + \theta)u(t)$	$\frac{s \cos \theta - \omega \sin \theta}{s^2 + \omega^2}$
$e^{-\alpha t} \sin \omega t u(t)$	$\frac{\omega}{(s + \alpha)^2 + \omega^2}$
$e^{-\alpha t} \cos \omega t u(t)$	$\frac{s + \alpha}{(s + \alpha)^2 + \omega^2}$

$2|k|e^{\alpha t} \cos(\omega t - \phi)u(t)$

$\frac{k}{s - (\alpha + j\omega)} + \frac{k^*}{s - (\alpha - j\omega)}$

Complex Roots: Table Lookup

when possible, manipulate into terms already in the table

ex

$$F(s) = \frac{s+2}{s^2-2s+2} = \frac{s+2}{(s-1)^2+1} = \frac{(s-1)+3}{(s-1)^2+1} = \frac{s-1}{(s-1)^2+1} + \frac{3(1)}{(s-1)^2+1}$$

complete the square

$$\mathcal{L}^{-1}\{F(s)\} = e^t \cos(t) u(t) + 3 e^t \sin(t) u(t)$$

Example

$$v_i(t) = \sin(2t) u(t)$$

$$L = 500\text{mH}, C = 500\text{ }\mu\text{F}, R = 2\Omega$$

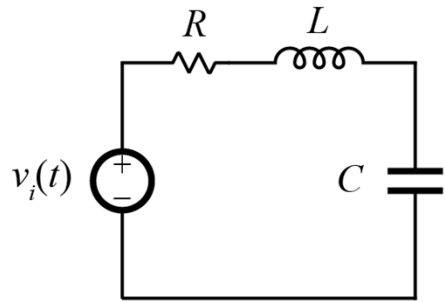
$$v_c(0) = 5\text{V}, i_L(0) = -2\text{A}$$

$$V_I(s) = \mathcal{L}\{v_i(t)\} = \frac{2}{s^2+4}$$

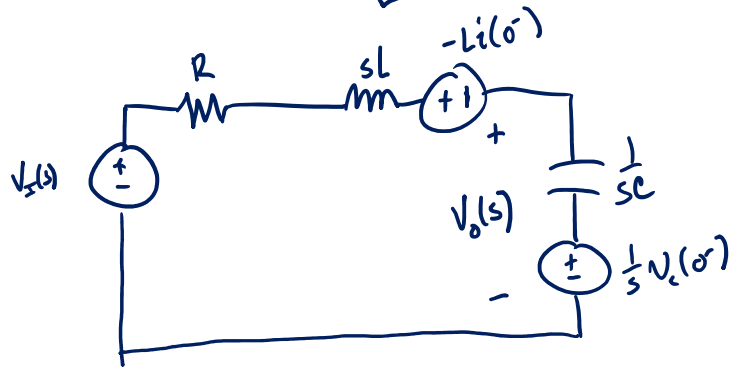
Solve circuit in s-domain:

$$\begin{aligned} V_o(s) &= H_I(s) V_I(s) + H_L(s) (-Li(0^-)) + H_C(s) \left(\frac{1}{s} V_c(0^-)\right) \\ &= H_I(s) V_I(s) + (-Li(0^-)) (-H_I(s)) + \left(\frac{1}{s} V_c(0^-)\right) (1 - H_I(s)) \end{aligned}$$

$$H_I(s) = \frac{\frac{1}{sC}}{\frac{1}{sC} + sL + R} = \frac{1}{s^2LC + sCR + 1}$$



$\Downarrow \mathcal{L}\{\text{circuit}\}$



$$H_I(s) = \frac{1}{s^2LC + s(R+L)} = \frac{1}{\frac{s^2}{4} + s + 1} = \frac{4}{s^2 + 4s + 4} = \frac{4}{(s+2)^2}$$

$$V_I(s) = \frac{2}{s^2 + 4} = \frac{2}{(s+2j)(s-2j)}$$

$$V_o(s) = \underbrace{\frac{4}{(s+2)^2}}_{\textcircled{1}} \frac{2}{s^2 + 4} + \underbrace{(-1) \frac{4}{(s+2)^2} + \frac{5}{s}}_{\text{Look up in table}} - \underbrace{\frac{5}{s} \frac{4}{(s+2)^2}}_{\textcircled{2}}$$

$$\textcircled{1} \text{ PFE: } \frac{4}{(s+2)^2} \frac{2}{(s+2j)(s-2j)} = \frac{k_1}{s+2} + \frac{k_2}{(s+2)^2} + \frac{k_3}{s+2j} + \frac{k_3^*}{s-2j}$$

$$k_2 = \frac{8}{s^2 + 4} \Big|_{s=-2} = 1$$

$$k_3 = \frac{8}{(s+2)^2(s-2j)} \Big|_{s=-2j} = \frac{8}{(-4-8j)(-4j)} = \frac{-1}{4} = k_3^*$$

$$k_1 = \frac{d}{ds} \left[\frac{8}{s^2 + 4} \right] \Big|_{s=-2} = \left[8(-1)(s^2 + 4)^{-2} (2s) \right] \Big|_{s=-2} = \frac{-8}{8^2} (-4) = \frac{1}{2}$$

$$\textcircled{2} \quad \frac{5}{s} \frac{4}{(s+2)^2} = \frac{k_1}{s} + \frac{k_2}{s+2} + \frac{k_3}{(s+2)^2}$$

$$k_1 = \frac{20}{(s+2)^2} \Big|_{s=0} = 5$$

$$k_3 = \frac{20}{s} \Big|_{s=-2} = -10$$

$$k_2 = \frac{d}{ds} \left[\frac{20}{s} \right] \Big|_{s=-2} = \frac{-20}{s^2} \Big|_{s=-2} = -5$$

$$V_o(s) = \frac{1/2}{s+2} + \frac{1}{(s+2)^2} + \frac{-1/4}{s+2j} + \frac{-1/4}{s-2j} + \frac{-4}{(s+2)^2} + \frac{5}{s} - \frac{5}{s} - \frac{-5}{s+2} - \frac{-10}{(s+2)^2}$$

$$V_o(s) = \frac{5+1/2}{s+2} + \frac{7}{(s+2)^2} + \frac{-1/4}{s+2j} + \frac{-1/4}{s-2j}$$

$$v_o(t) = \mathcal{L}^{-1}\{V_o(s)\} = \left[5.5e^{-2t} + 7te^{-2t} + 2\frac{1}{4} \cos(2t - 0^\circ) \right] u(t)$$