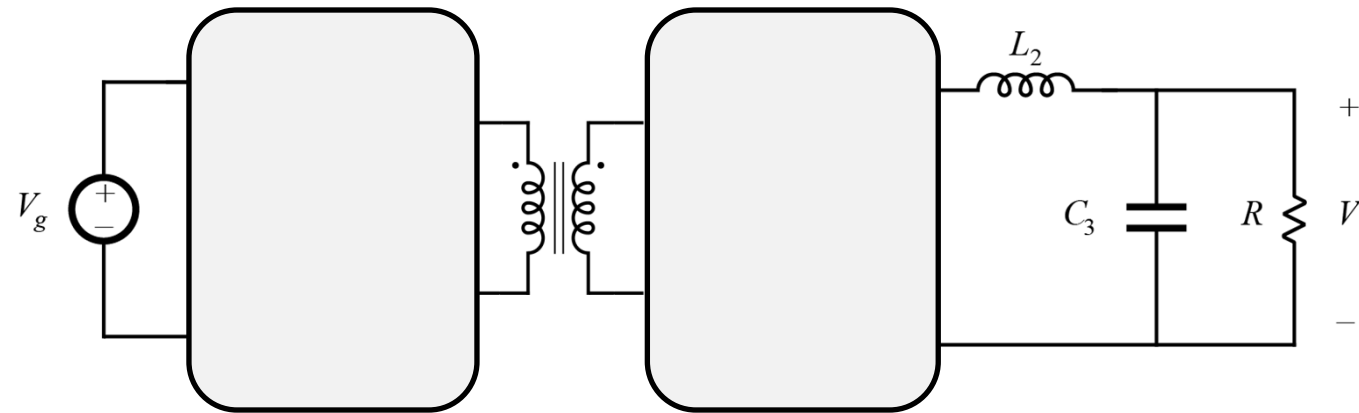
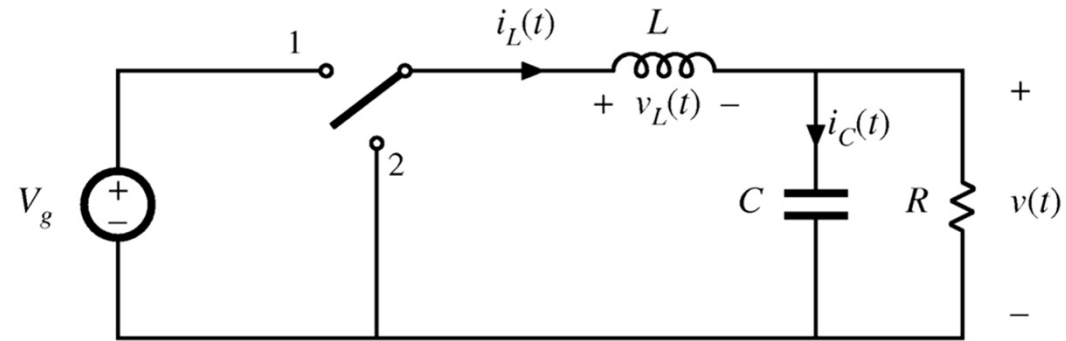
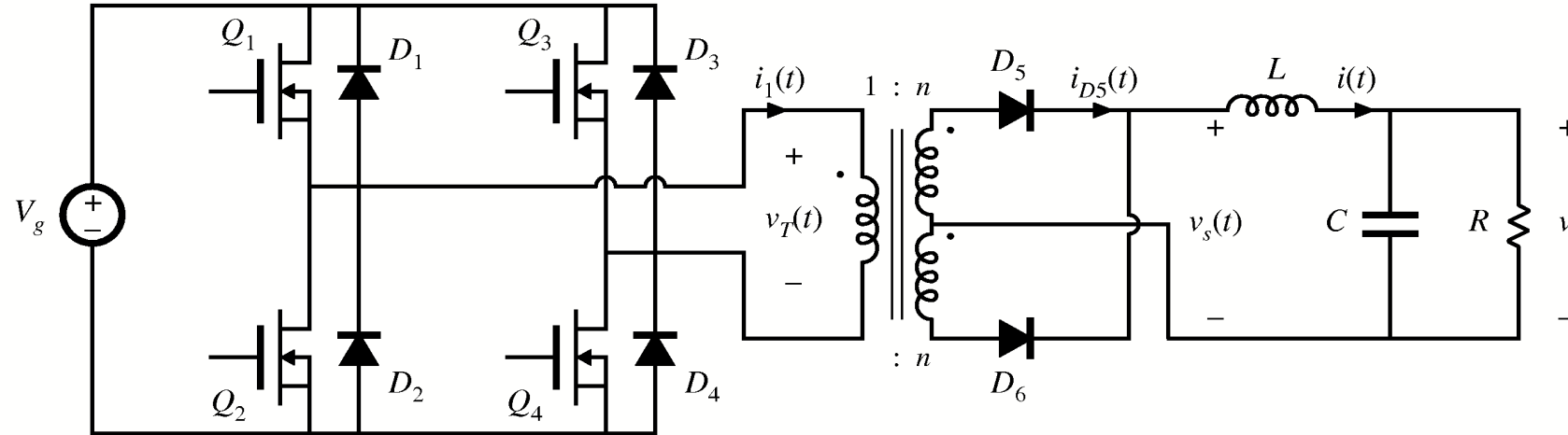


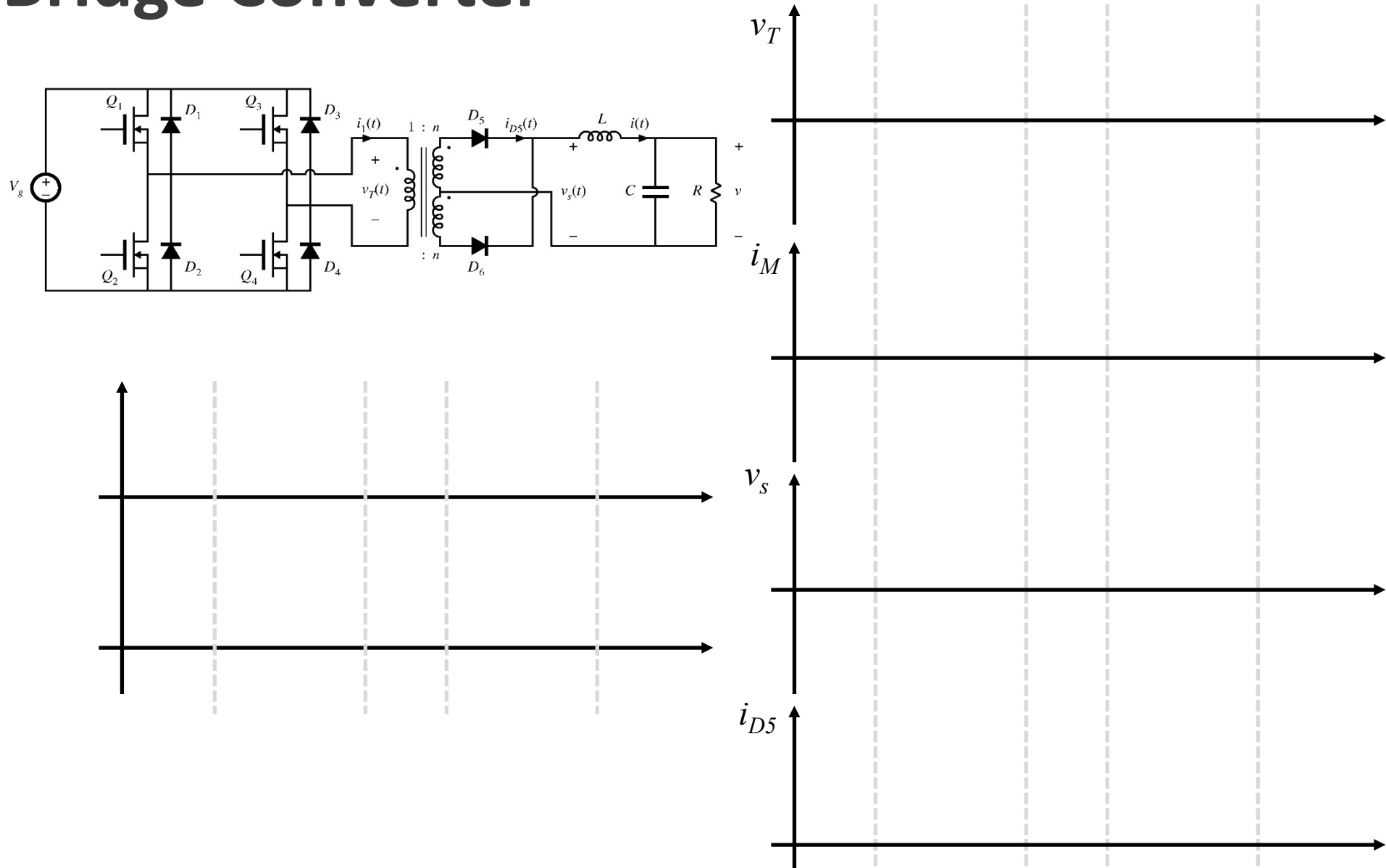
# Buck-derived Isolated Converters



# Full Bridge Converter



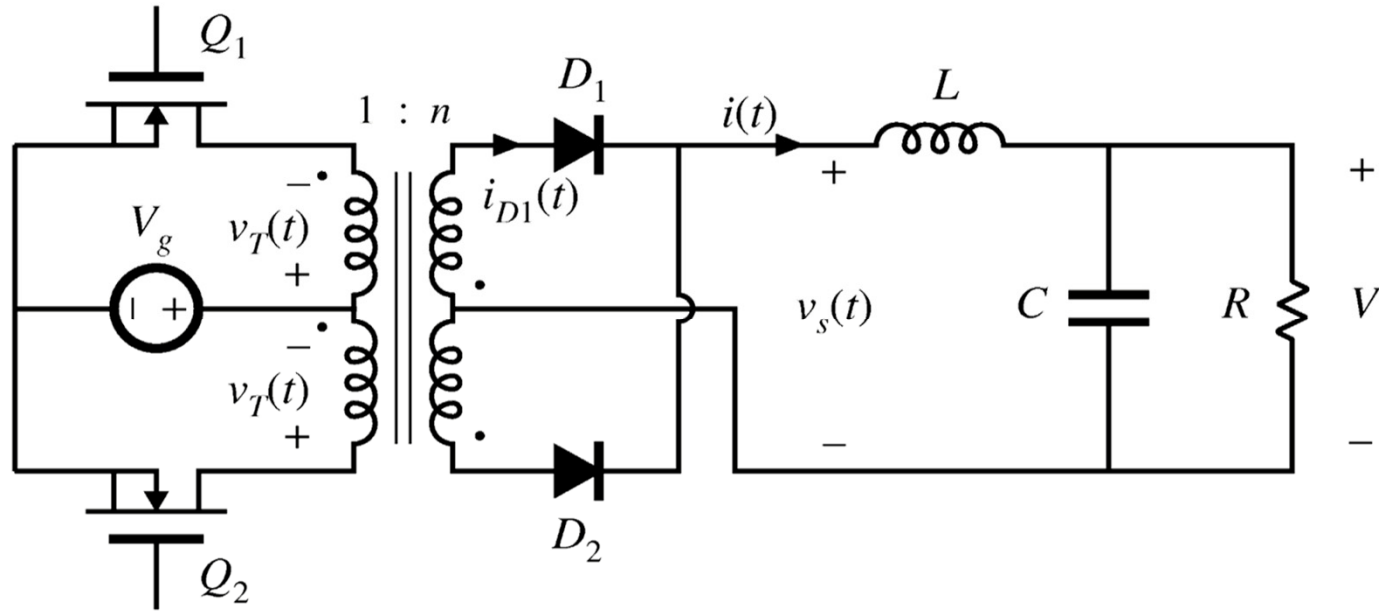
# Full Bridge Converter



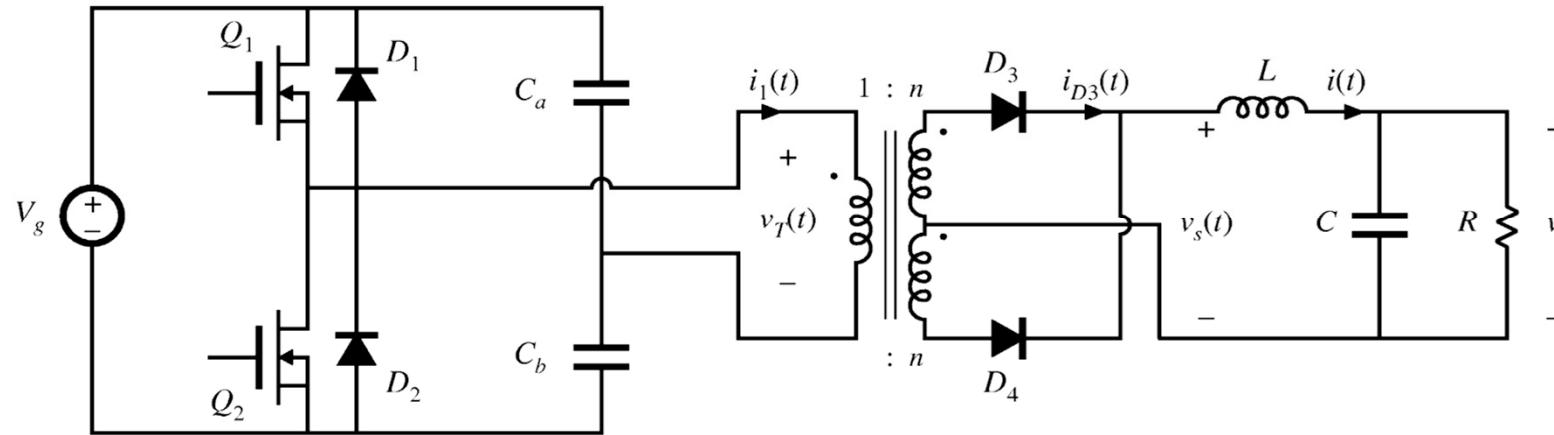
# Conversion Ratio

# Transformer Saturation

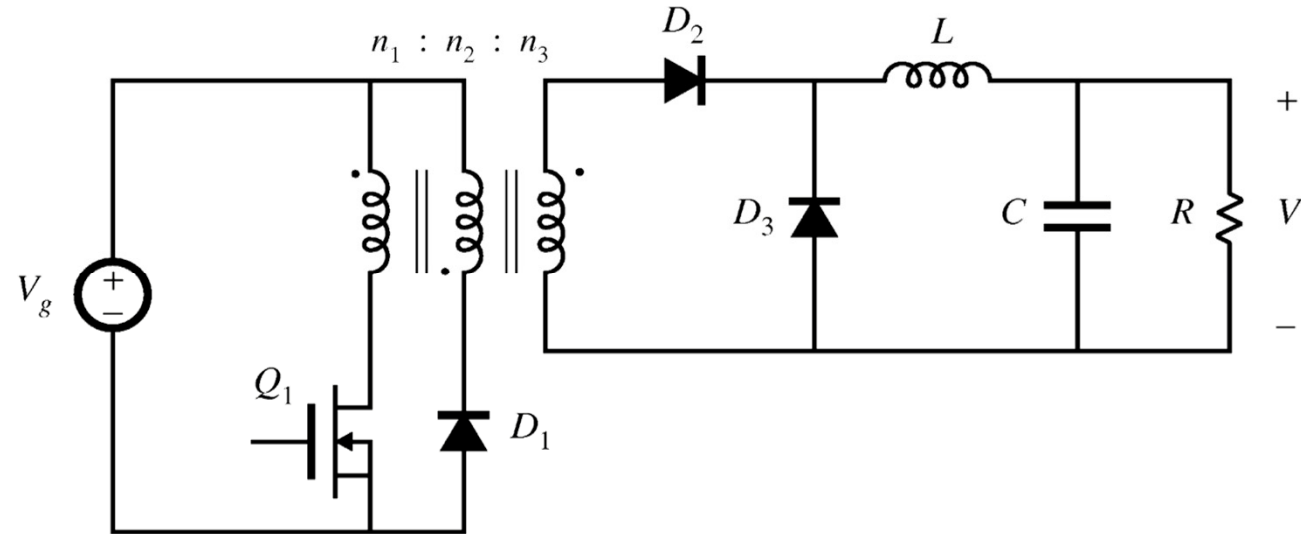
# Push Pull Converter



# Half Bridge Isolated Buck

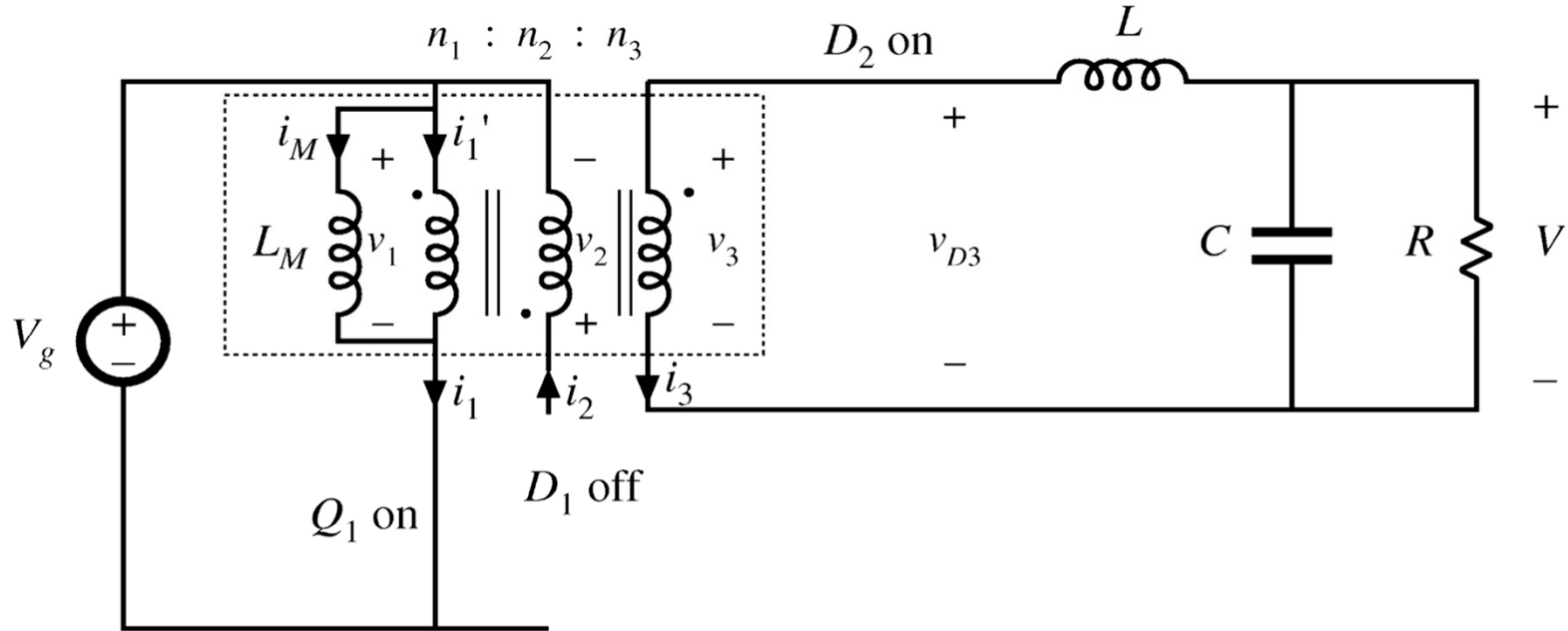


## 6.3.2 Forward Converter

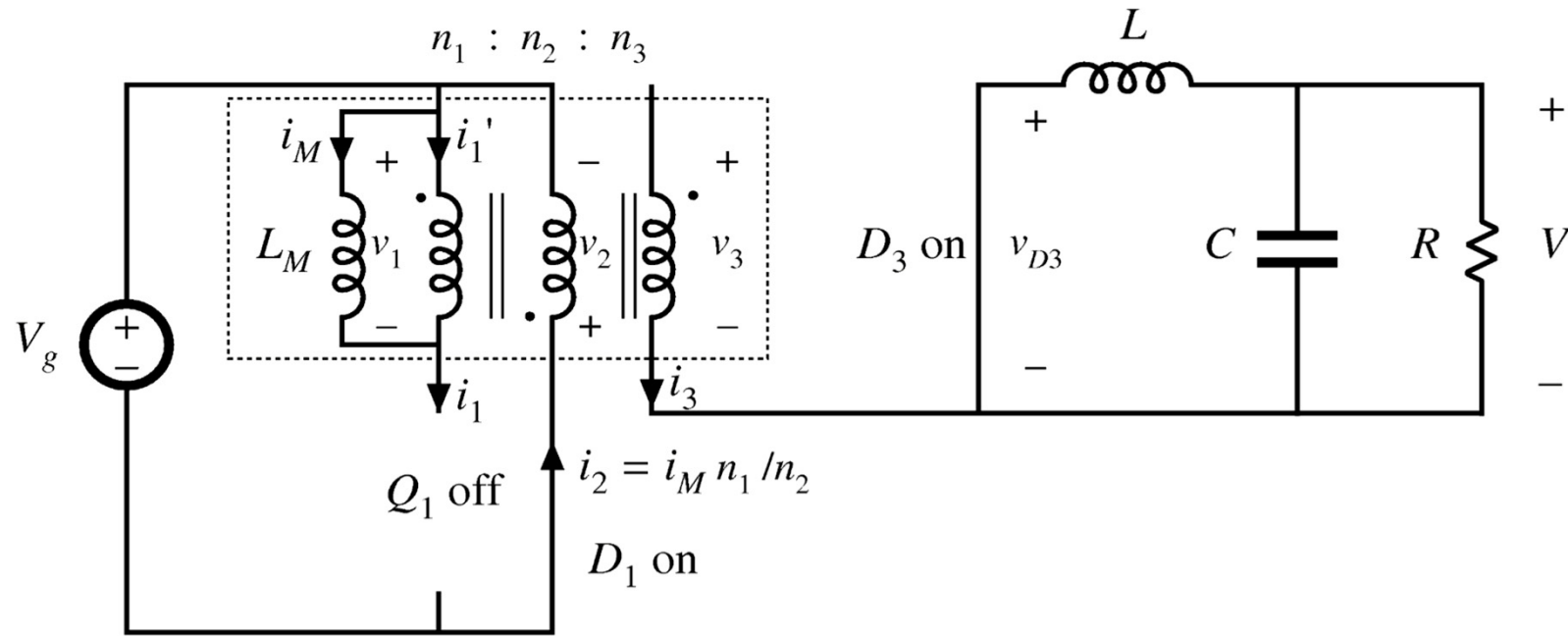




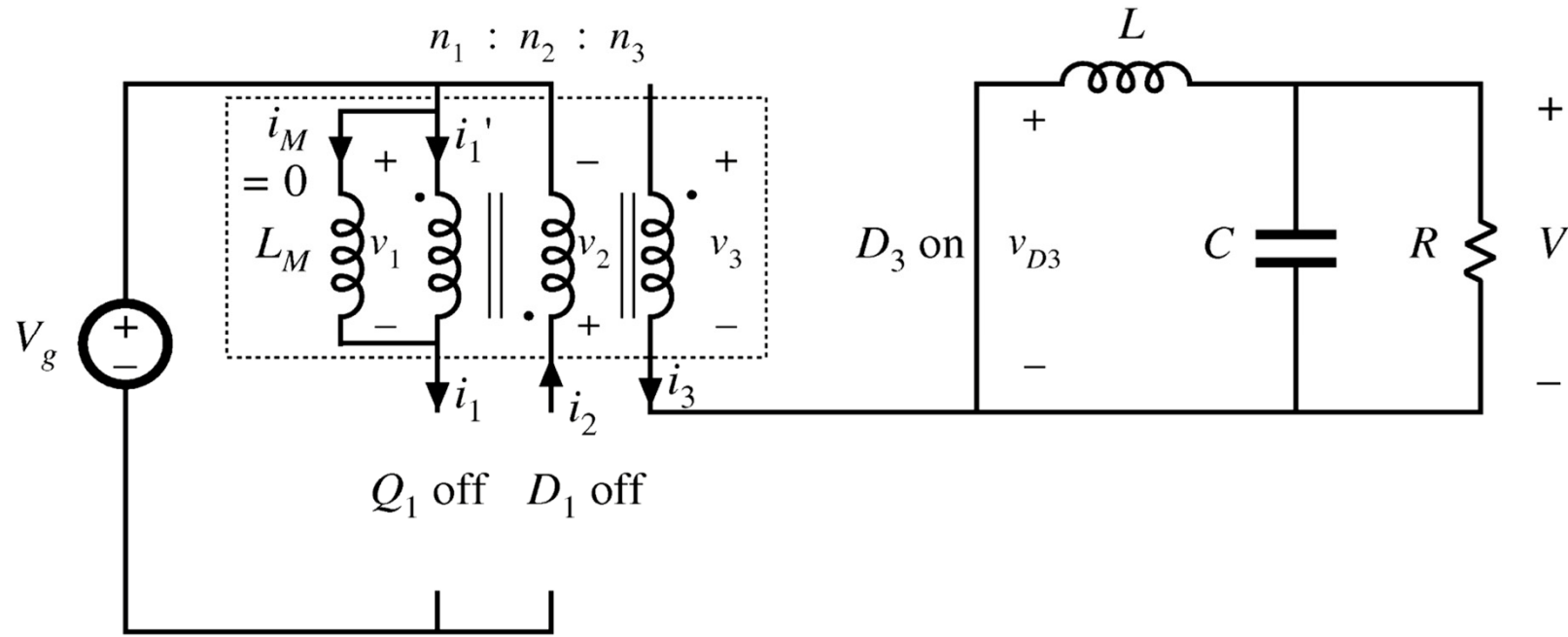
# Subinterval 1



# Subinterval 2



# Subinterval 3



# Forward Waveforms

