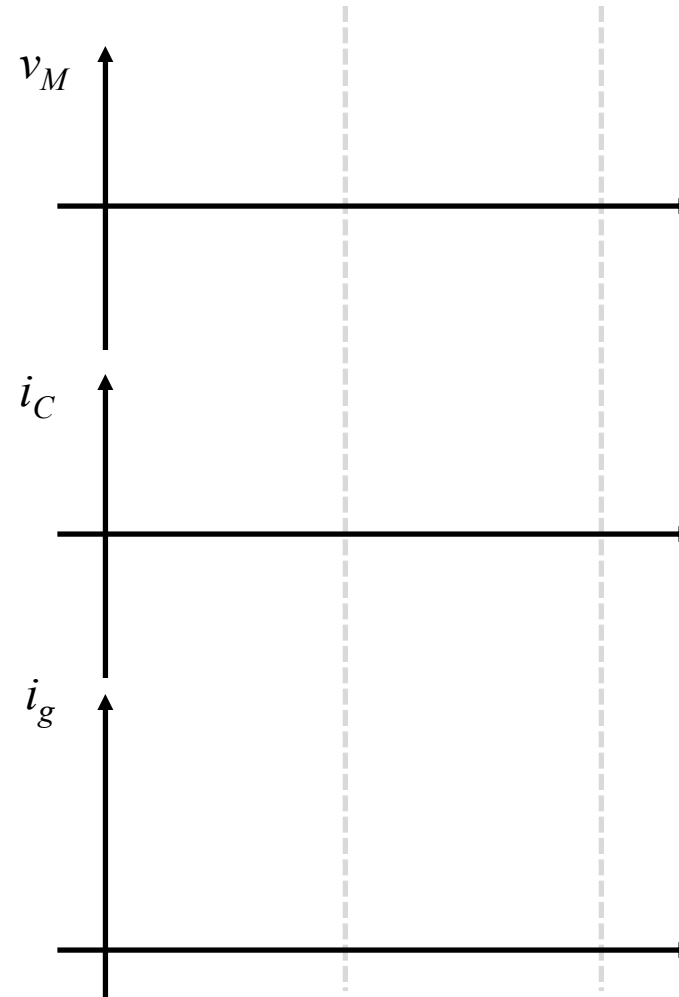
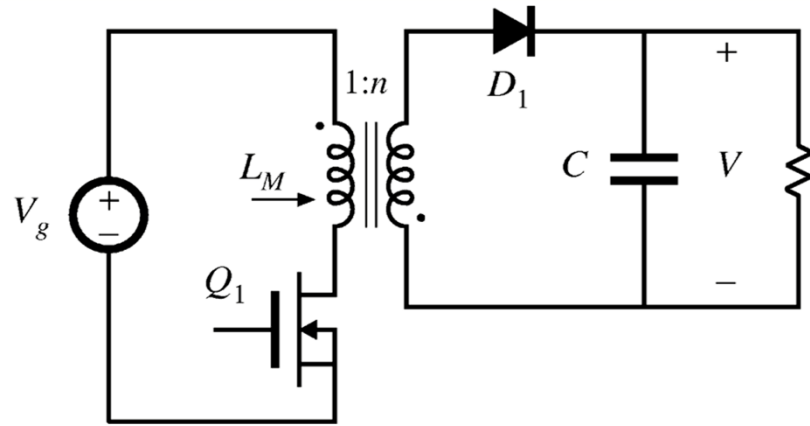


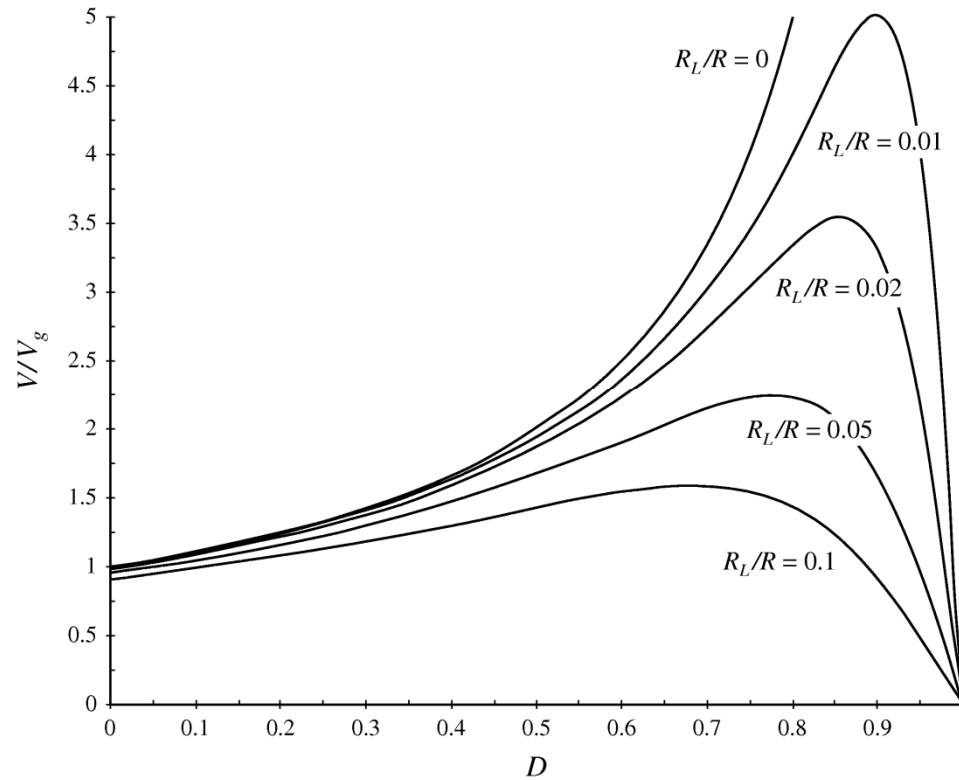
Flyback Waveforms



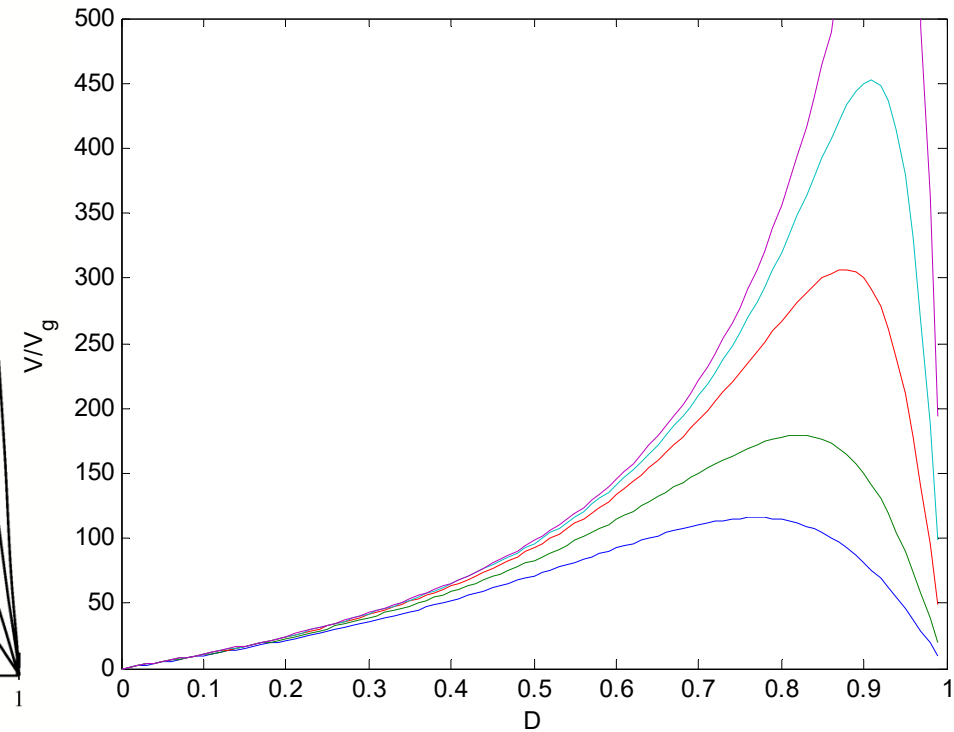
Flyback Equivalent Circuit Model

High Step-Up Conversion Ratios

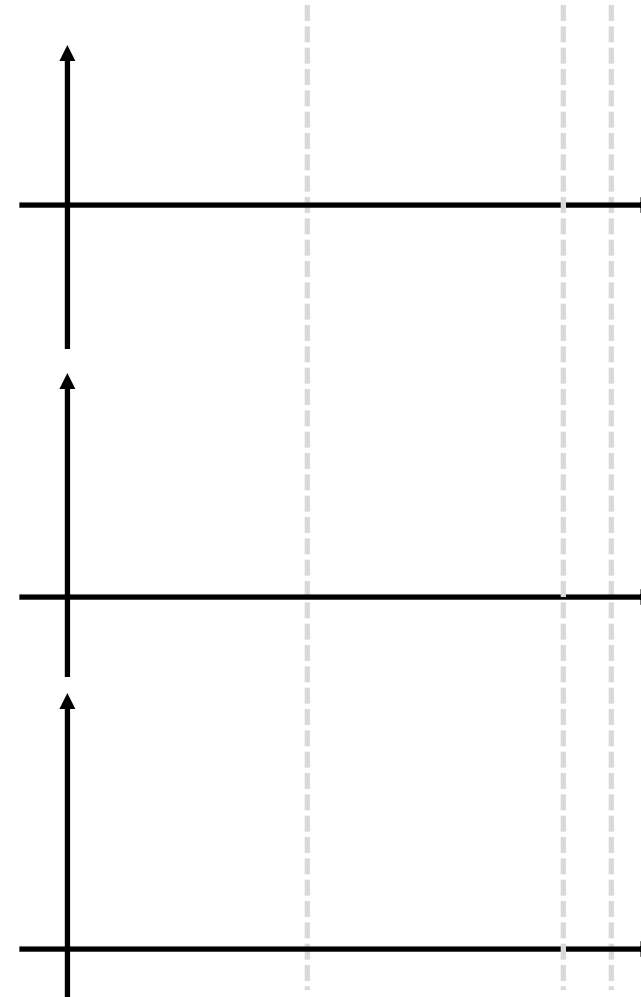
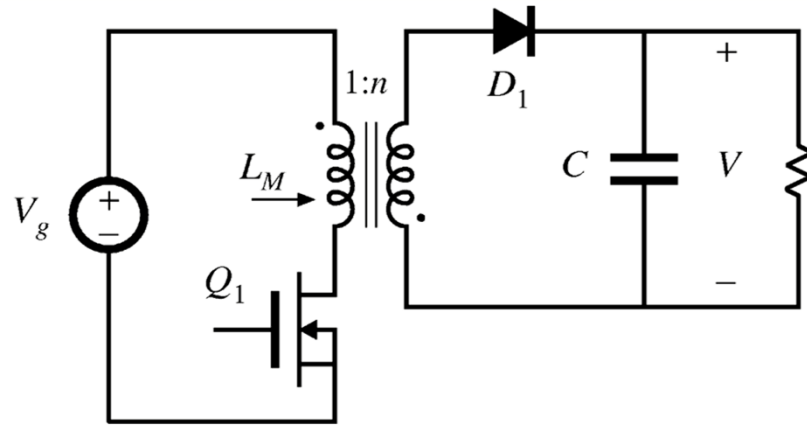
Boost Converter



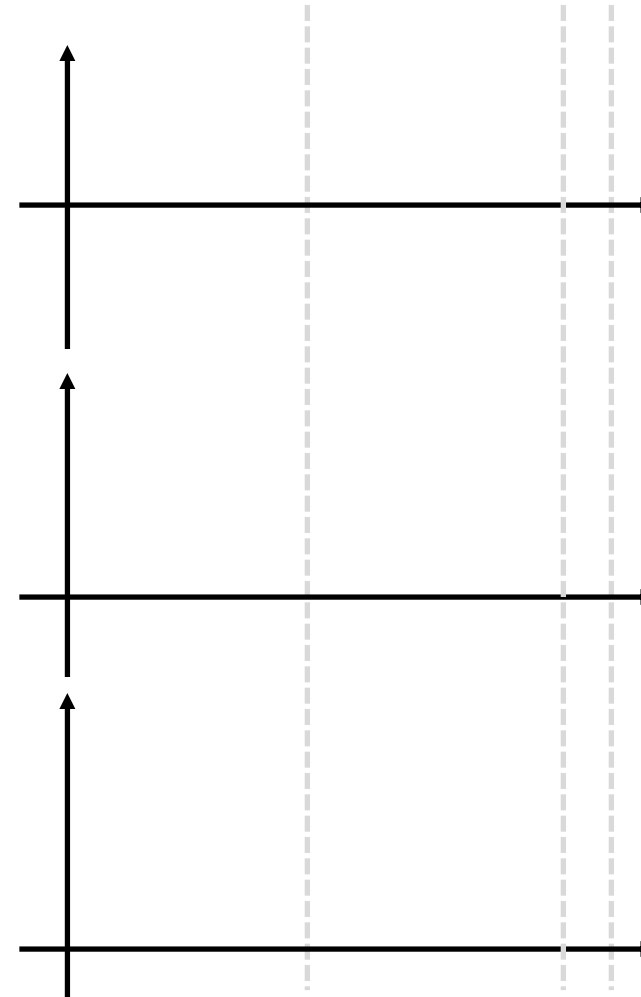
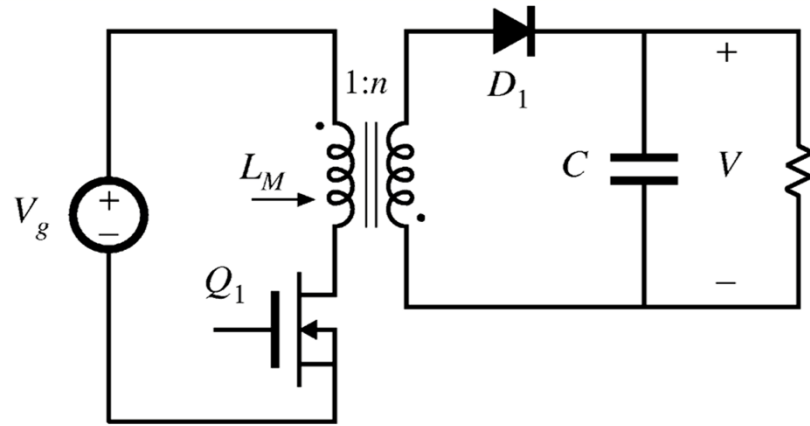
Flyback, $n=100$



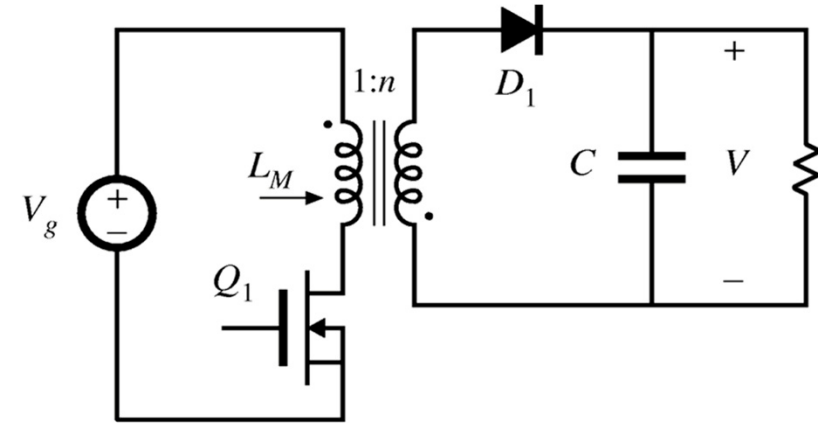
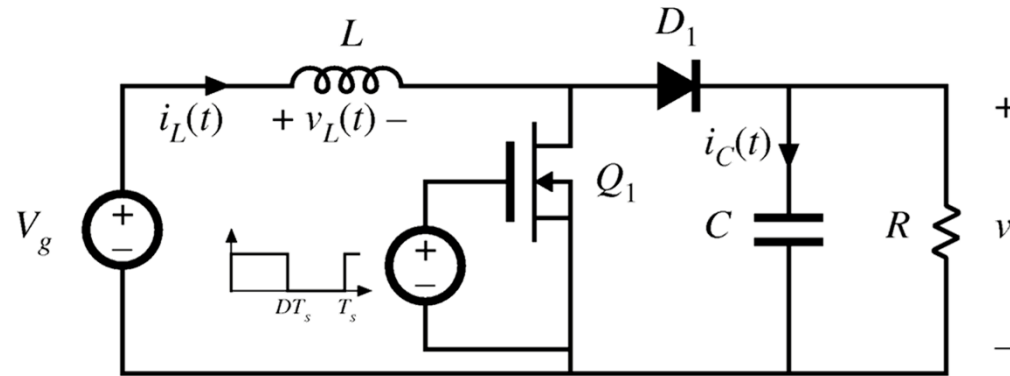
Flyback Reverse Recovery



Flyback Leakage Inductance



Switch Ratings



Active Switch Stress / Switch Utilization