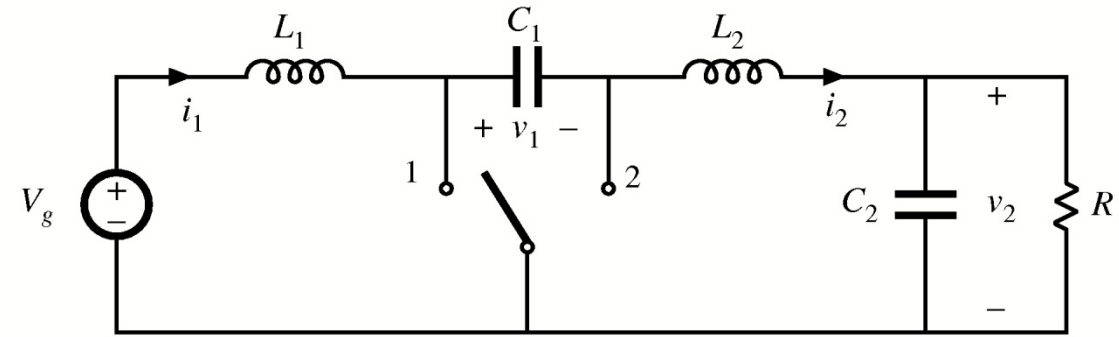
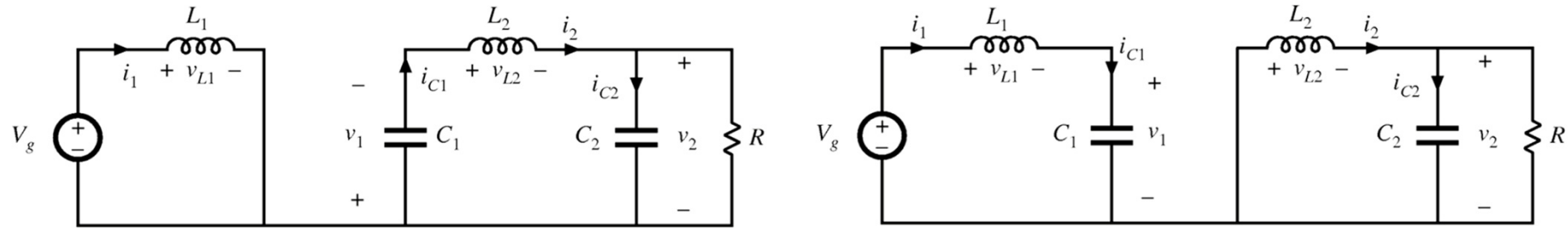


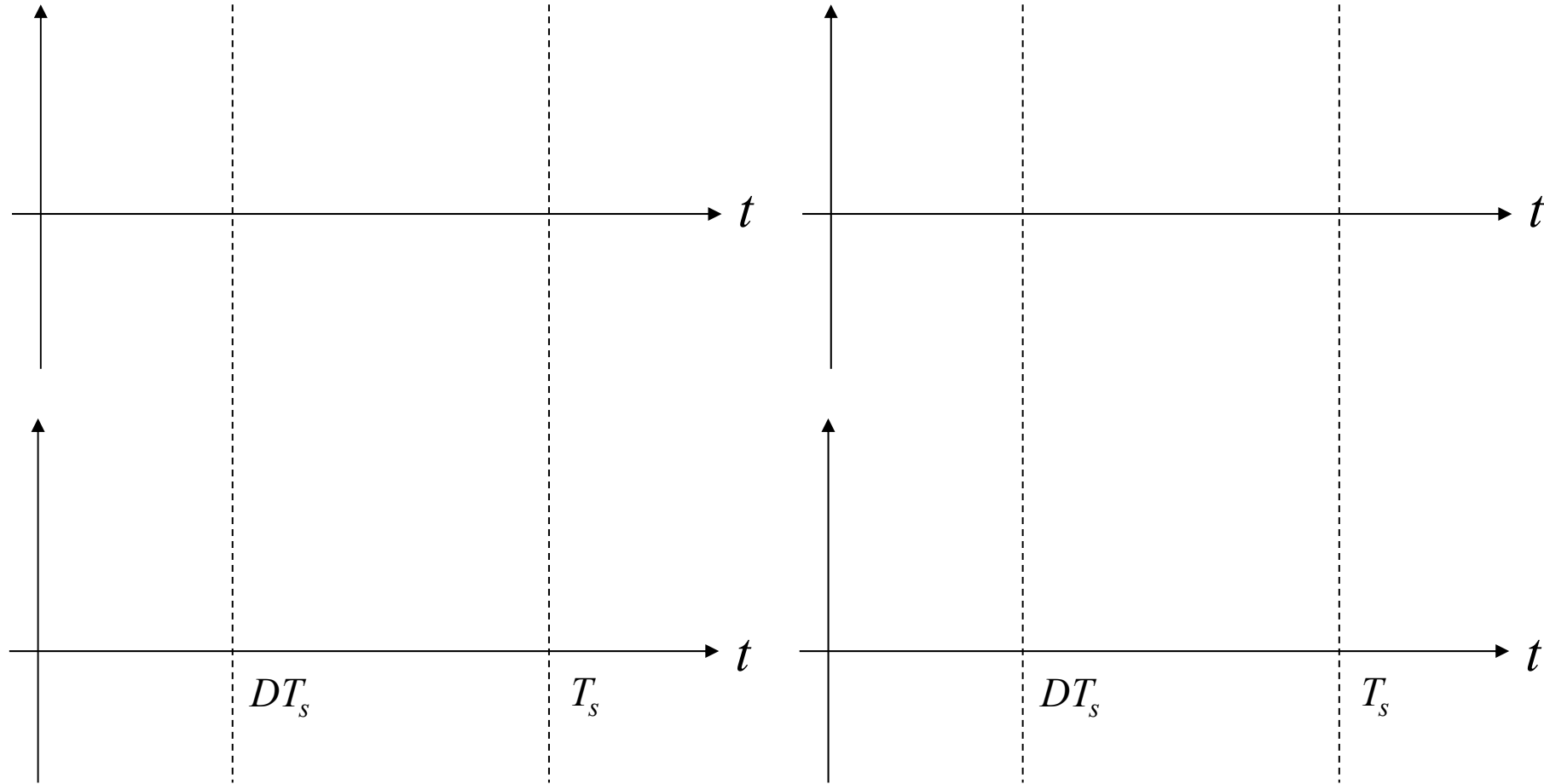
Cuk Converter



Cuk Equivalent Circuits

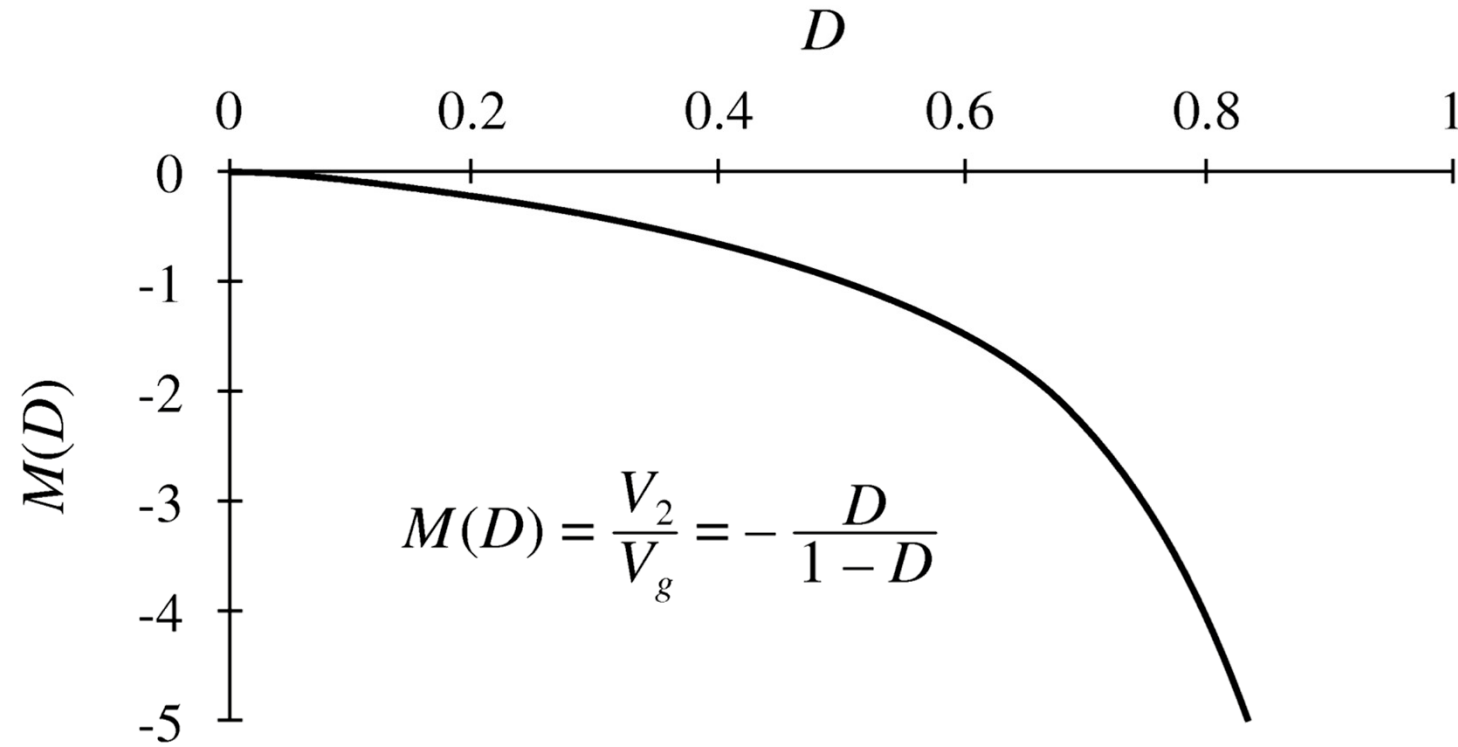


Cuk Converter Waveforms



Waveform Averaging

Cuk Conversion Ratio



Ripple in Second Order Filters

