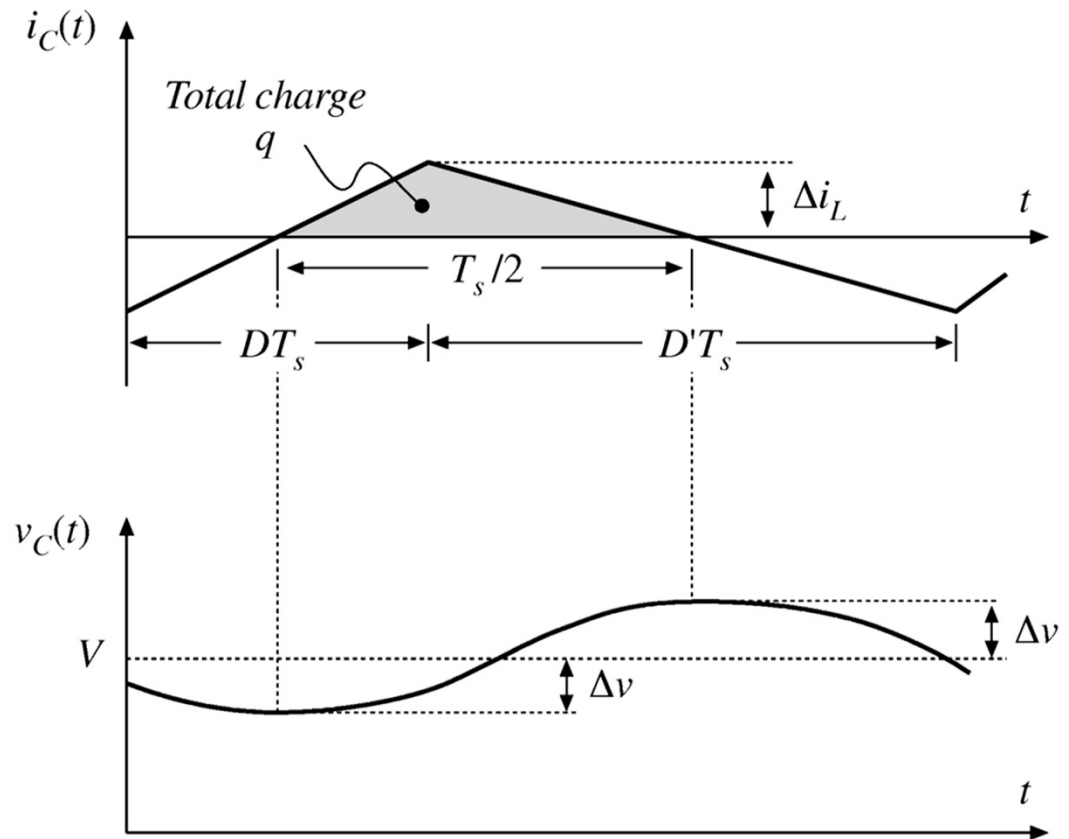
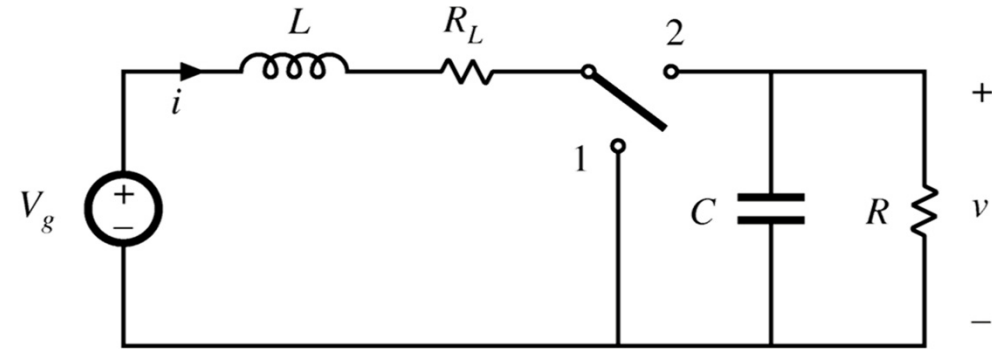


Ripple in Second Order Filters

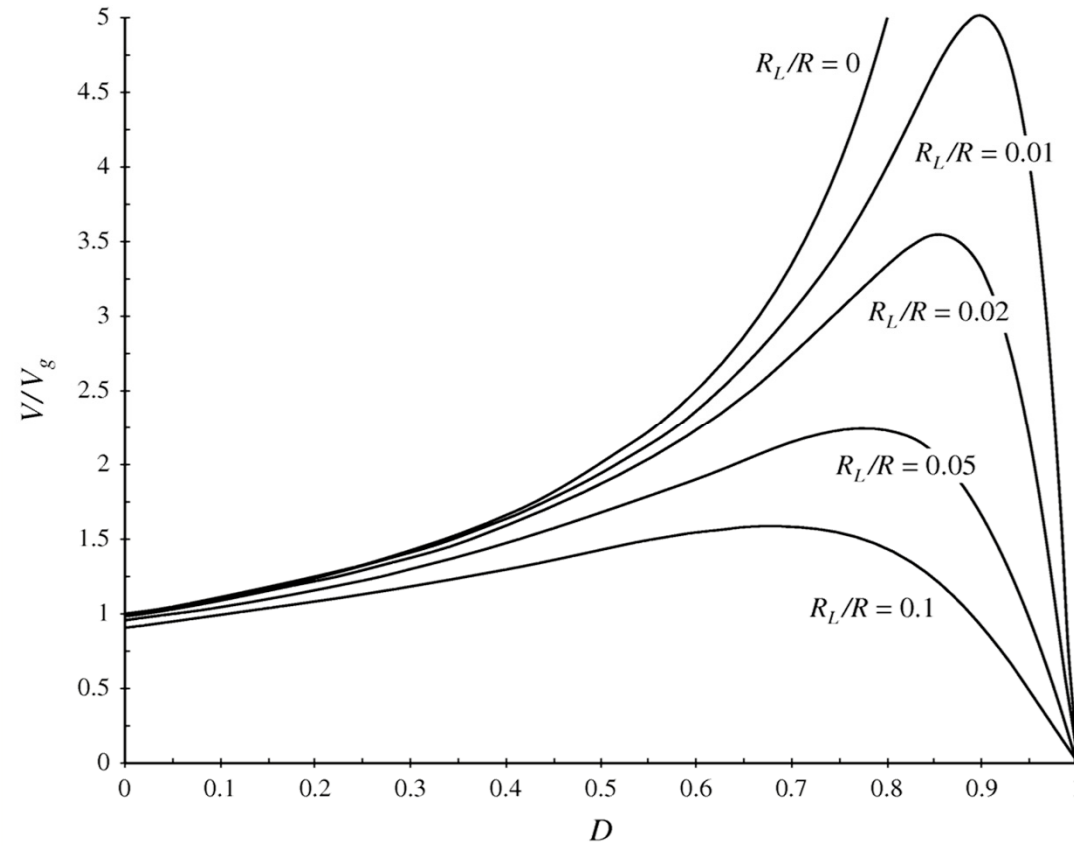


Nonideal Boost Converter



Boost Conversion Ratio with Losses

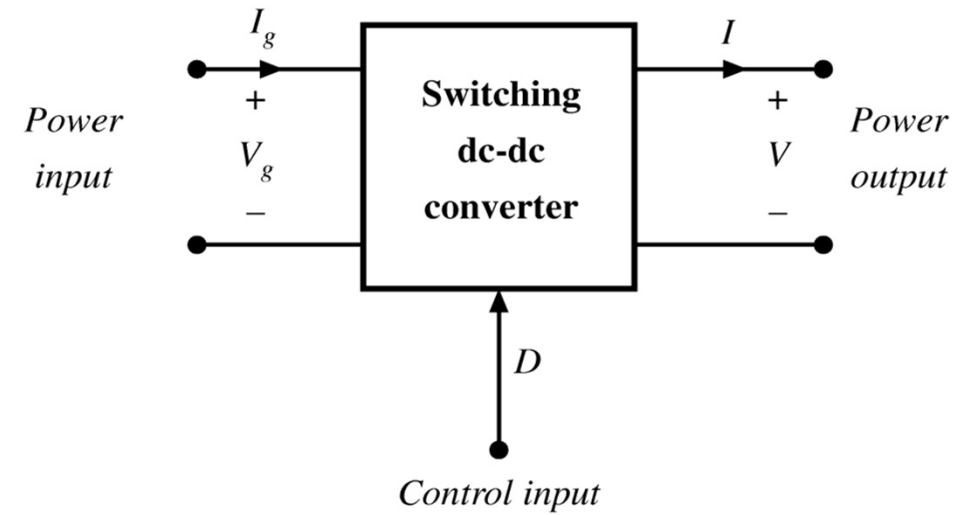
Nonideal Boost Output Voltage



Equivalent Circuit Models

Boost Equivalent Circuit Model

The DC Transformer Model



Boost Converter Efficiency

$$\eta = \frac{1}{1 + \frac{R_L}{D'^2 R}}$$

