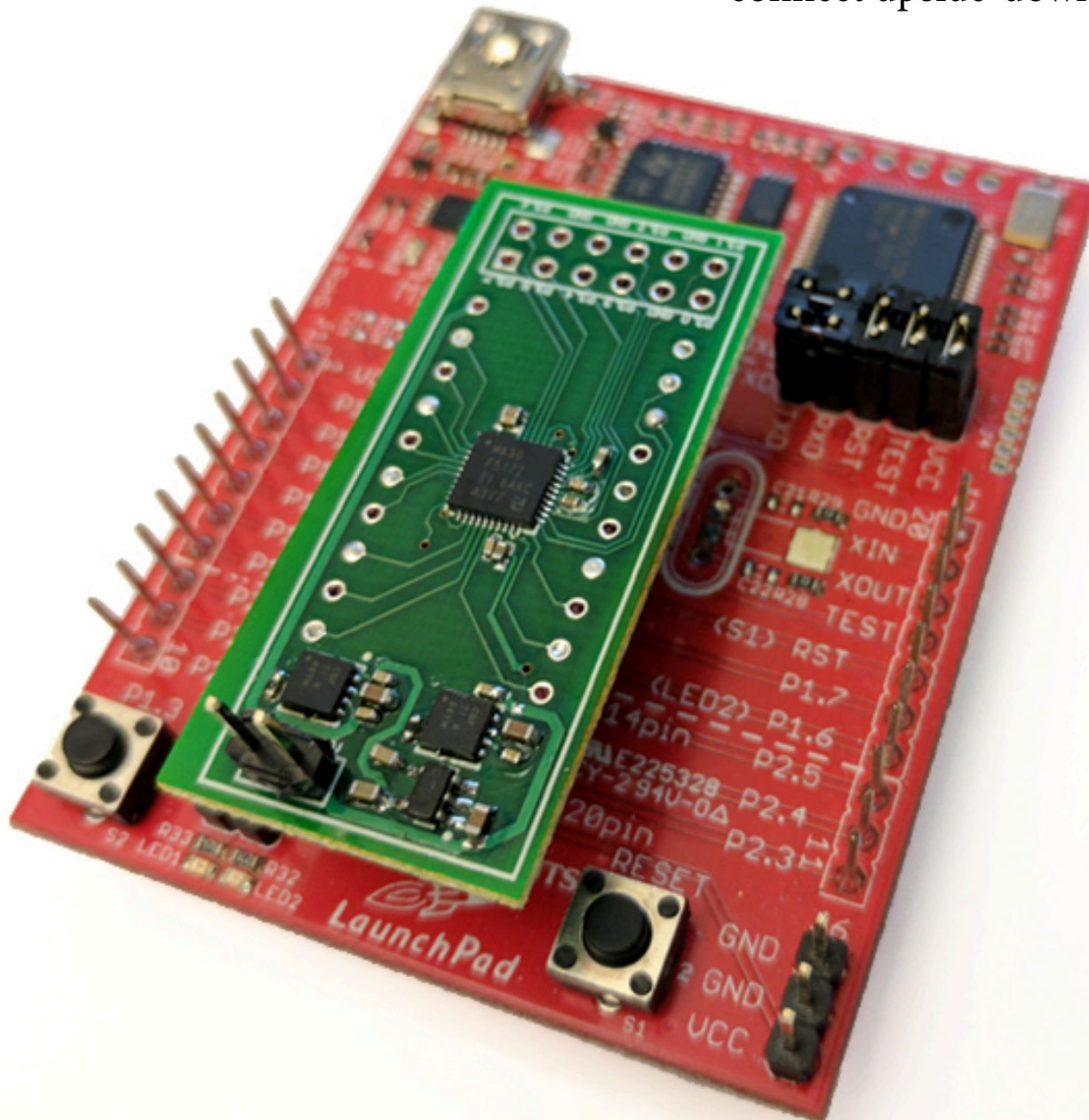


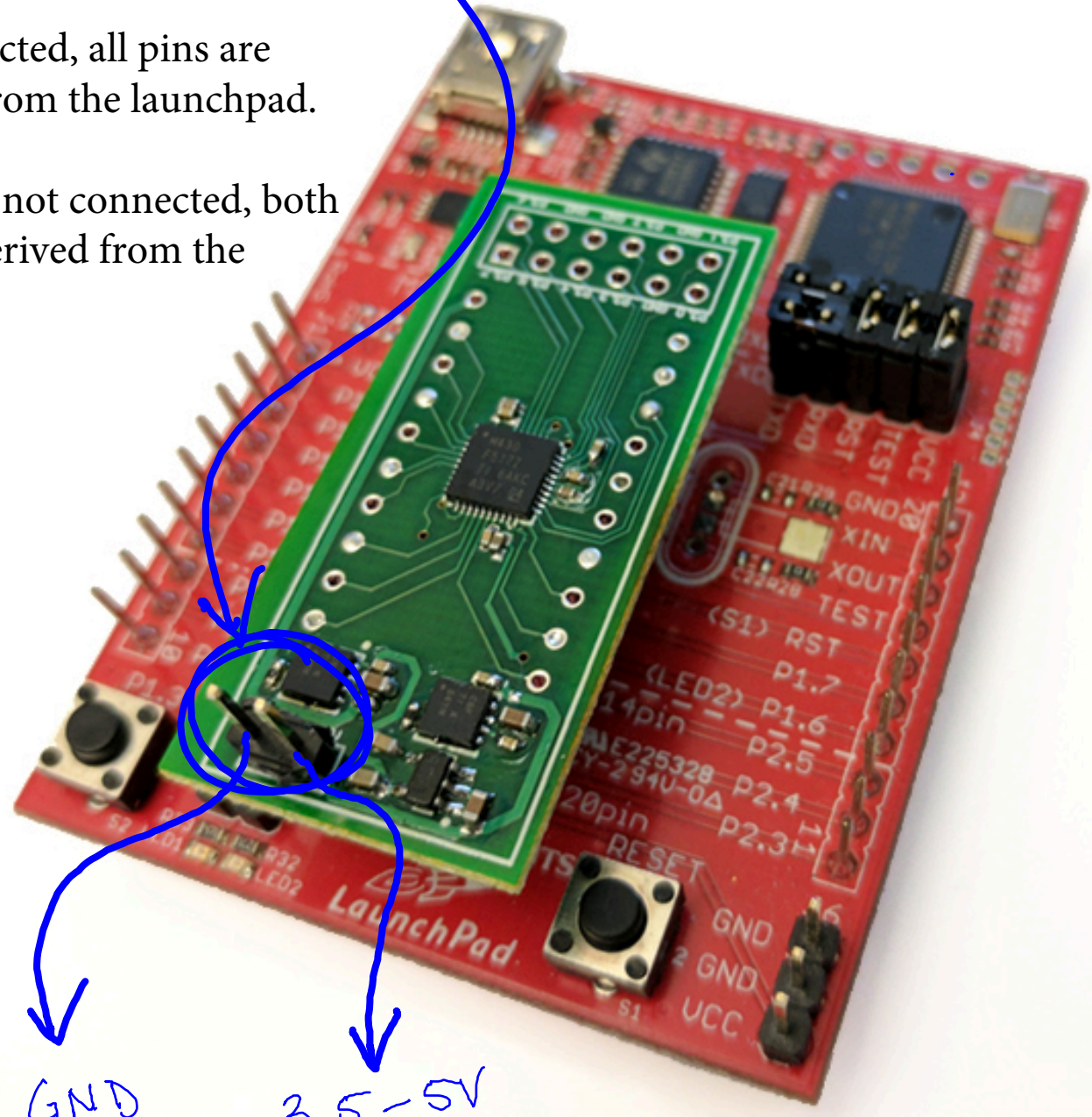
Note the orientation of the board. Do not connect upside-down.



Optional 5V power supply for I/O powered by DVIO.

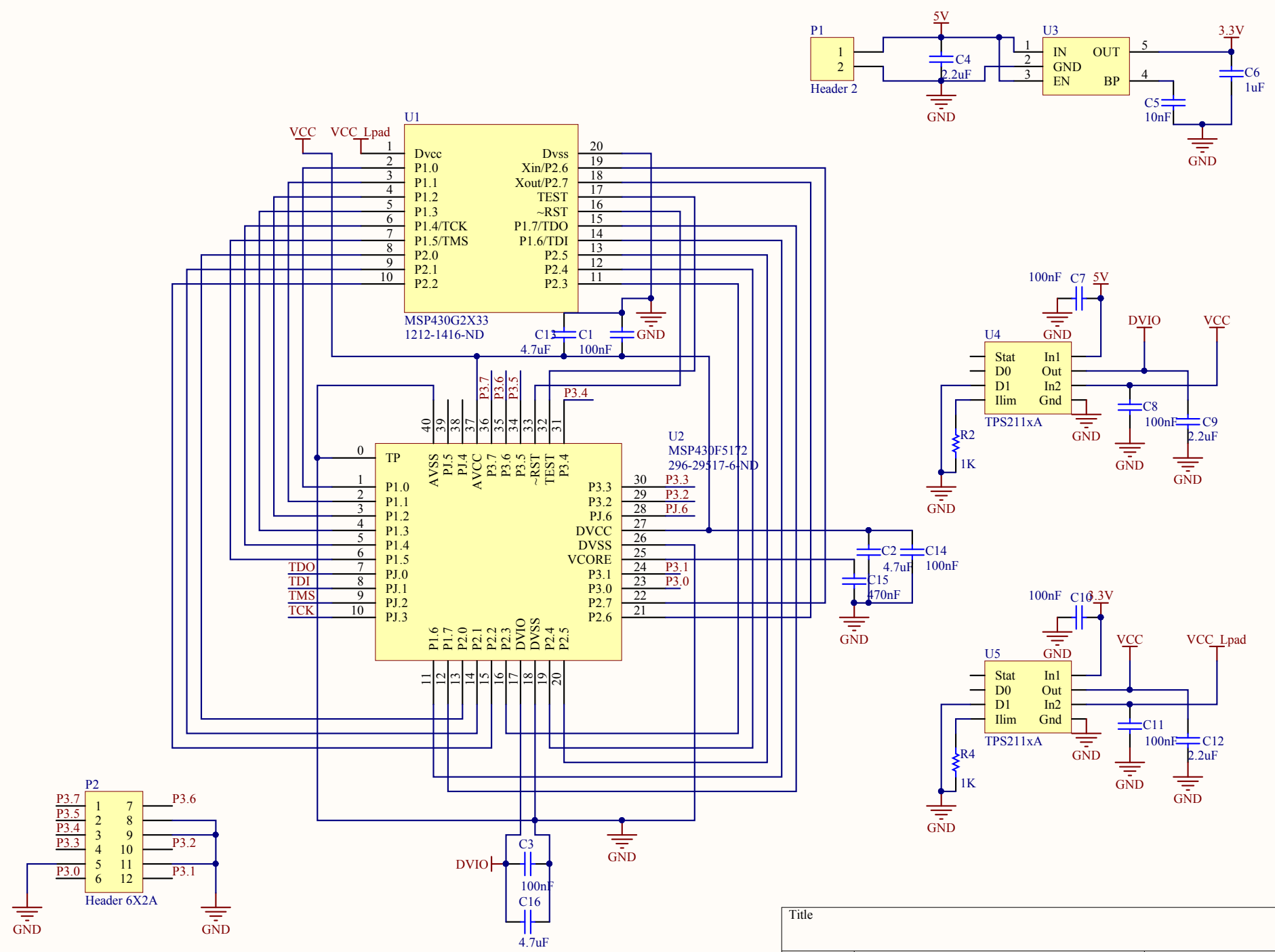
If nothing is connected, all pins are powered by 3.3V from the launchpad.

If the launchpad is not connected, both 3.3V and 5V are derived from the headers.

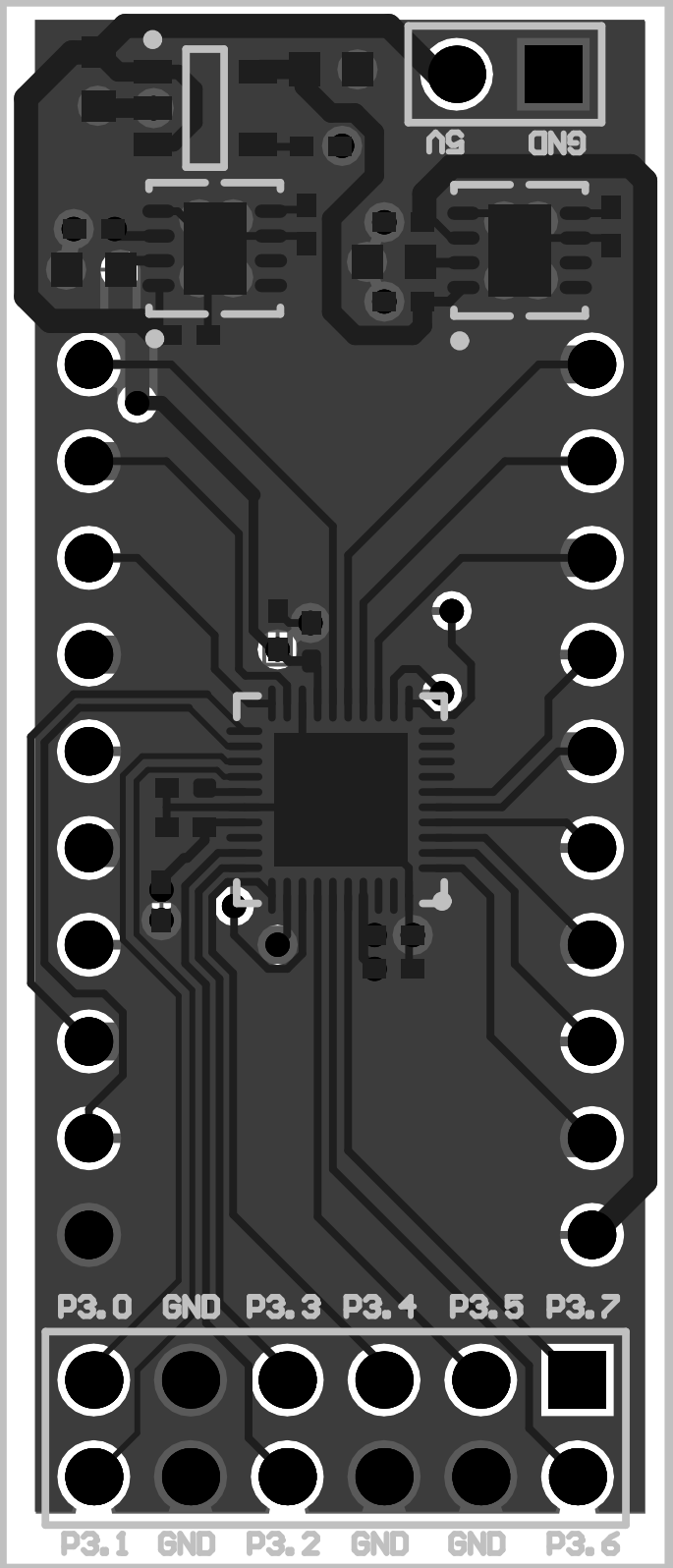


GND

3.5-5V supply (optional)



Title		
Size	Number	Revision
A		
Date:	1/30/2017	Sheet of
File:	H:\PCBs\...\LaunchPad-Adapter-Schem.SchDoc	Drawn By:



Comment	Description	Designator	Footprint	LibRef	Quantity
Cap Semi	Capacitor (Semiconductor SIM Model)	C1, C2, C3, C5, C7, C8, C10, C11, C13, C14, C15, C16	0402	Cap Semi	12
Cap Semi	Capacitor (Semiconductor SIM Model)	C4, C6, C9, C12	1608[0603]	Cap Semi	4
Header 2	Header, 2-Pin	P1	HDR1X2	Header 2	1
Header 6X2A	Header, 6-Pin, Dual row	P2	HDR2X6_CEN	Header 6X2A	1
Res Semi	Semiconductor Resistor	R2, R4	0402	Res Semi	2
MSP430G2X33	MCU (Launchpad)	U1	DIP-20 SMD Headers	MSP430G2X33	1
MSP430F5172	MCU (HRPWM)	U2	S-PWQFN-N40	MSP430F5172	1
LP3985IM5	3.3V, 150mA LDO	U3	LP3985	LP3985IM5	1
TPS211xA	Autoswitching Power M	U4, U5	TPS211xA	TPS211xA	2