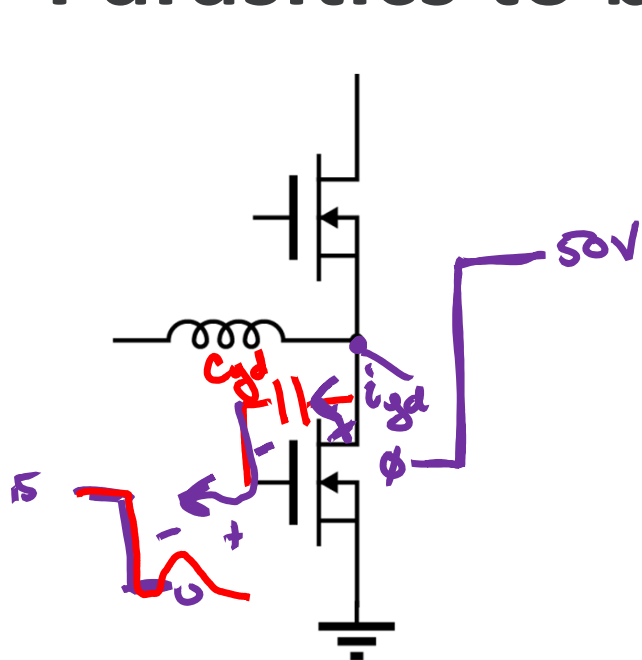


Parasitics to be Aware of

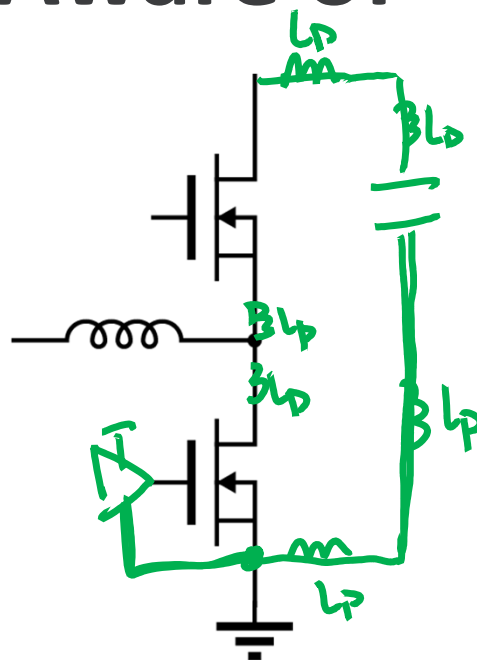


Cross-talk from C_{gd}

Remedy:

↓ gate driver turn-off impedance

↑ High side FETs turn-on impedance

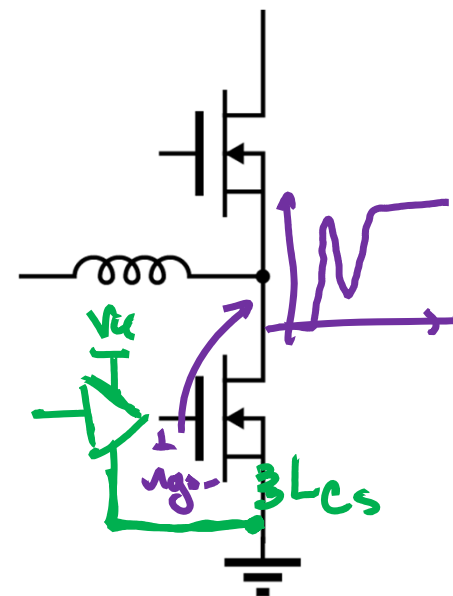


power loop inductance

Remedy:

↓ loop area

- moving or adding capacitors



Common-Source Inductance

Remedy

- ↓ L_{cs}

- ↑ Turn-on resistance

Power Loop Inductances

