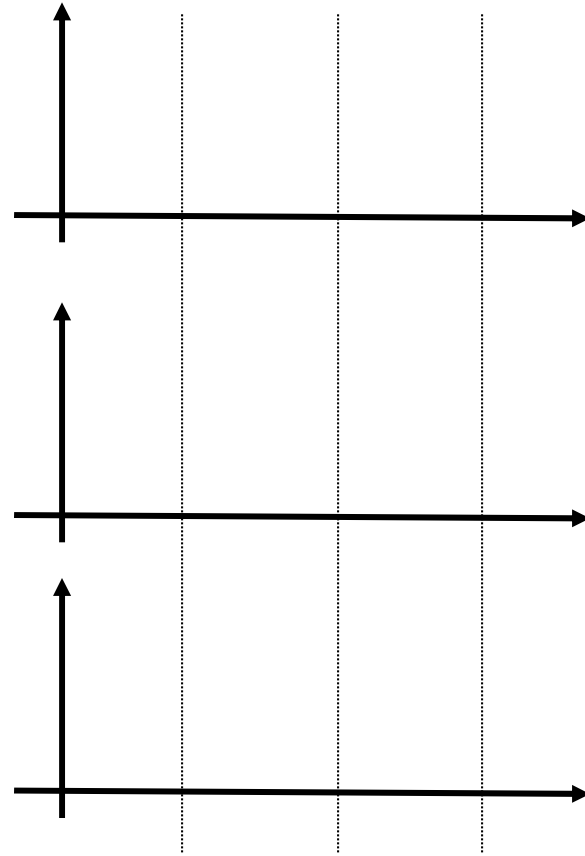
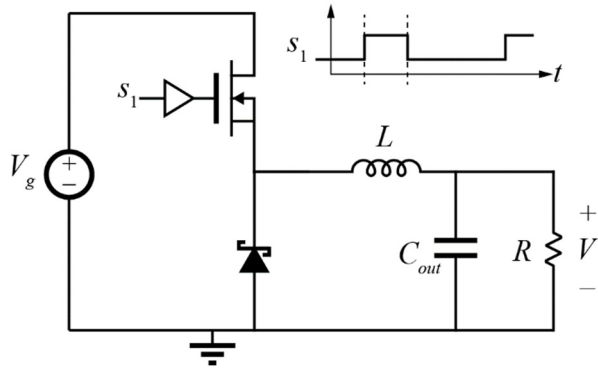
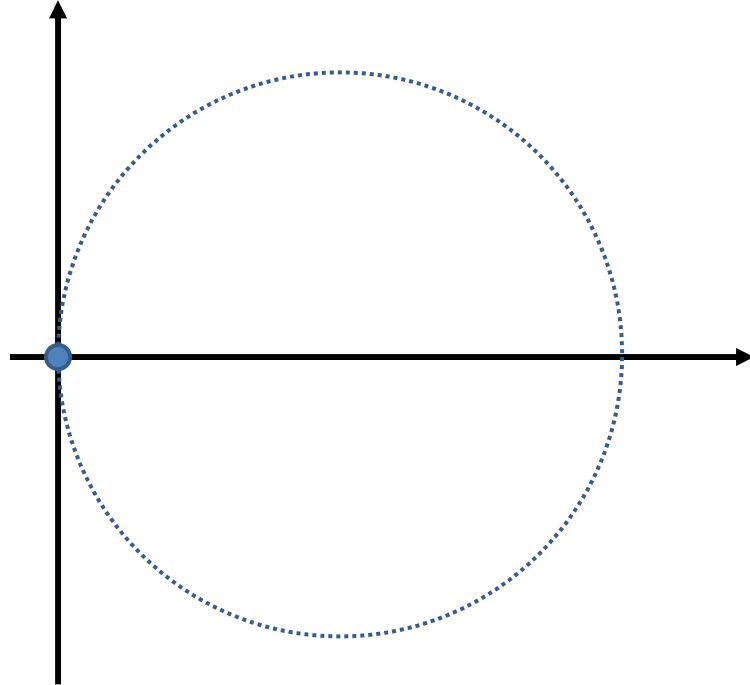


State Plane Algorithm

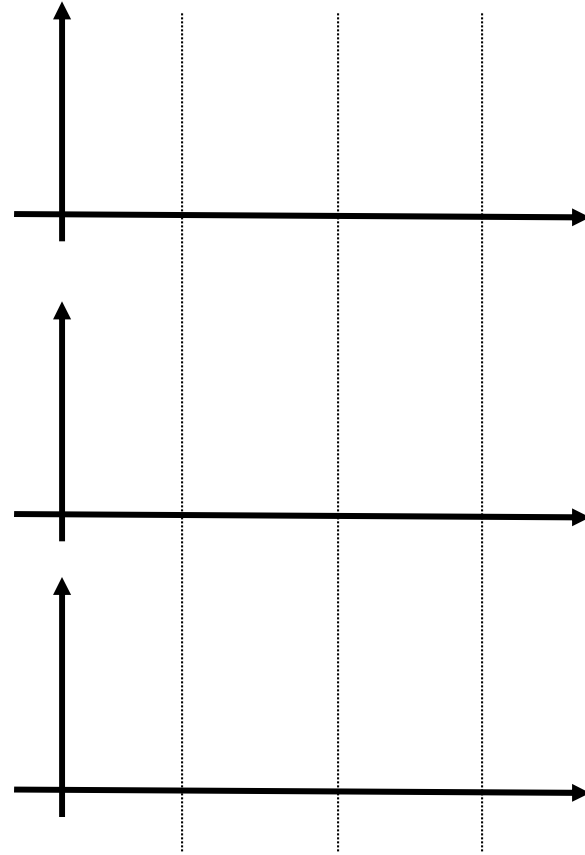
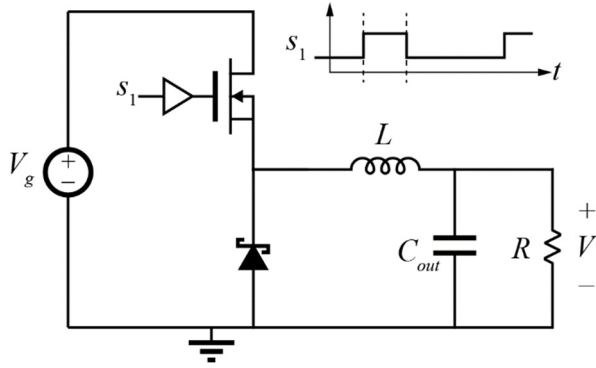
DCM Buck Converter Example ($M=1/2$)



DCM Buck State Plane



DCM Buck $M \neq 1/2$



DCM Buck State Plane ($M > .5$)

