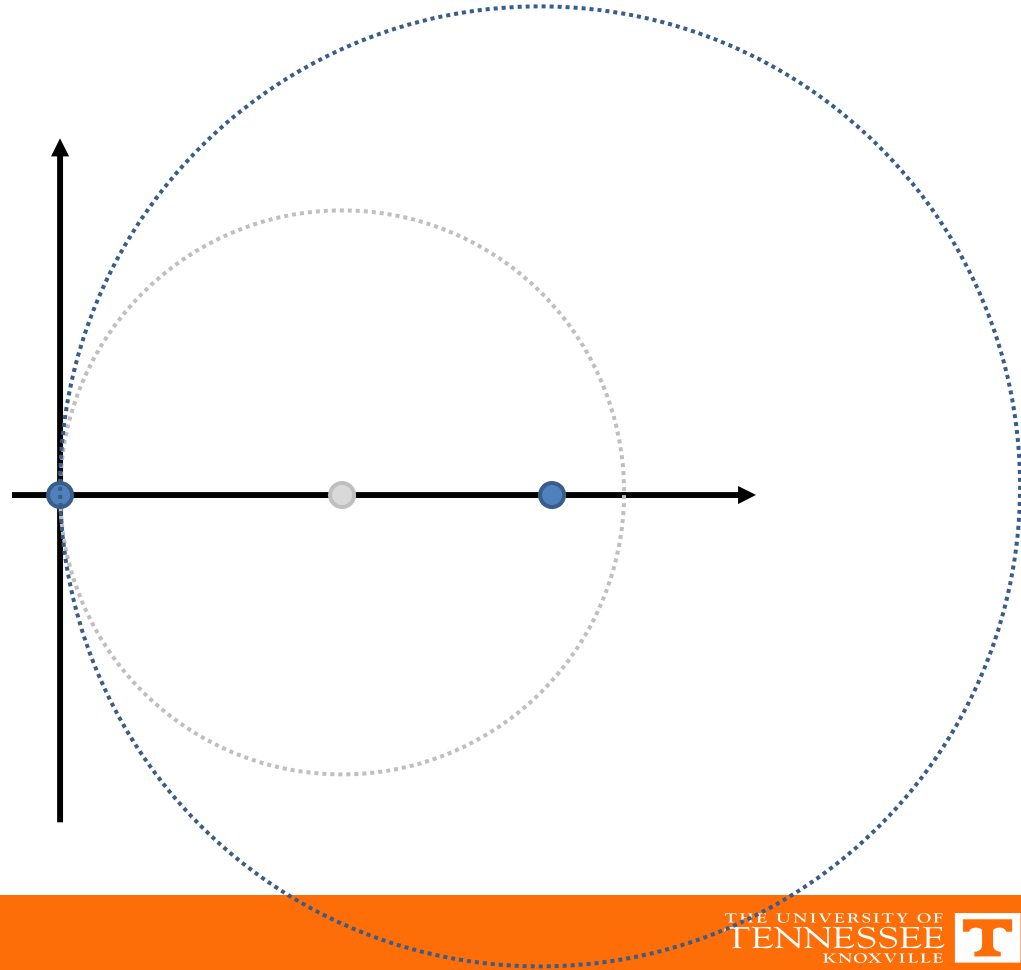
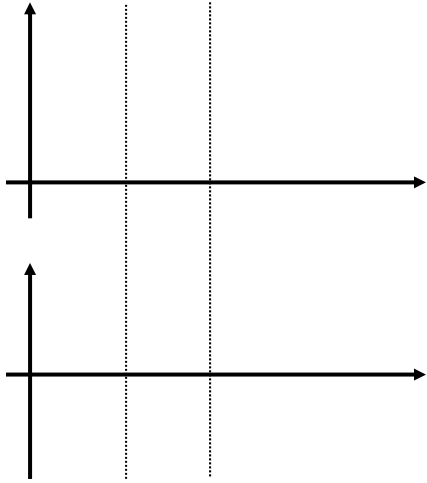
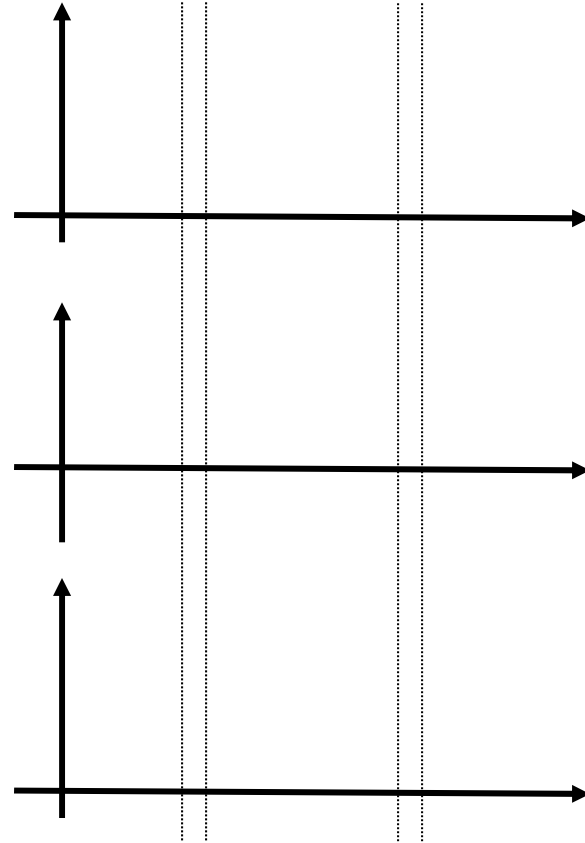
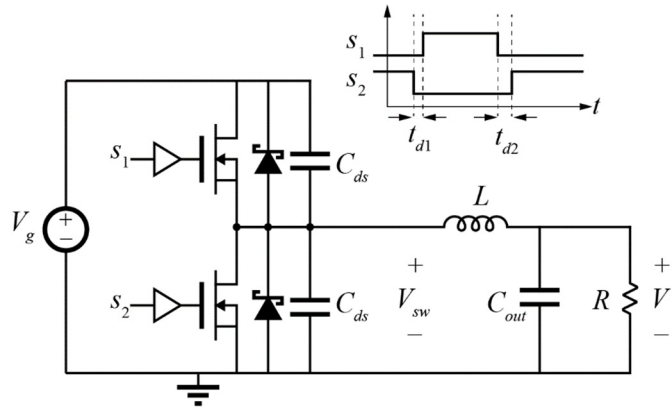


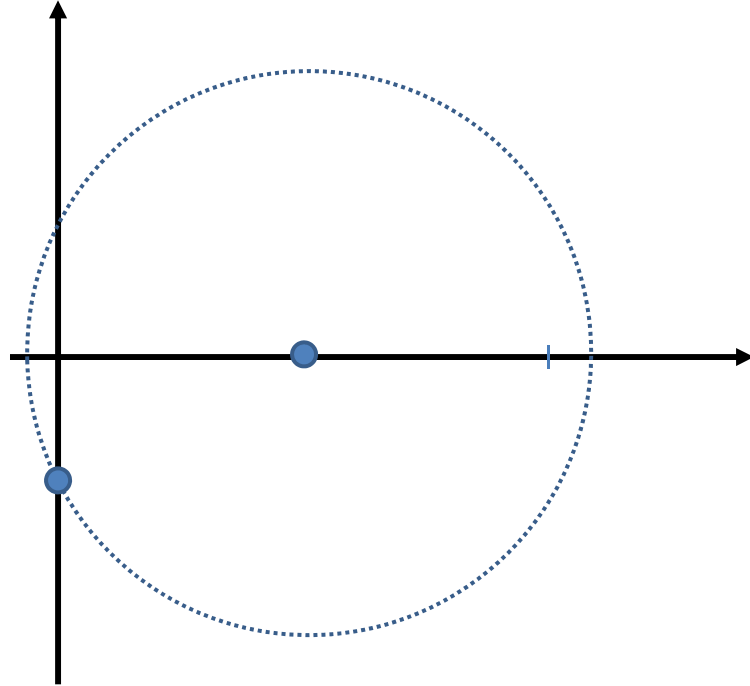
DCM Buck State Plane ($M > 1/2$)



Synchronous Buck Converter

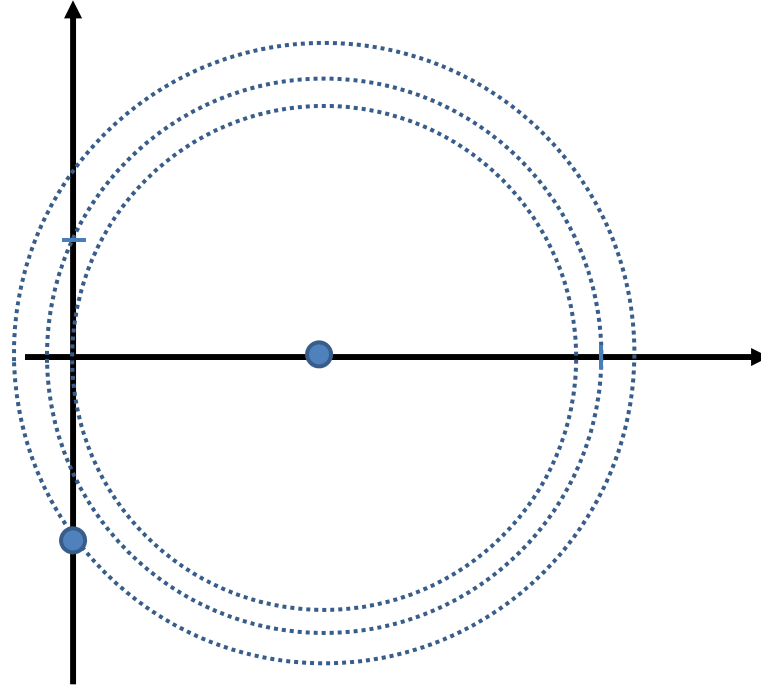


Sync-Buck State Plane



Sync-Buck ZVS Condition

Sync-Buck State Plane (Ring out)



Sync-Buck State Plane – ZVS

Sync-Buck Complete State Plane

