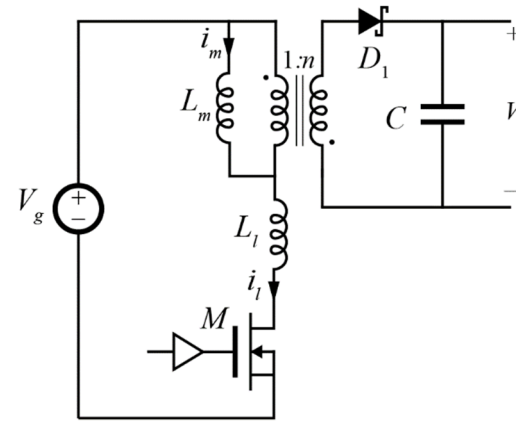
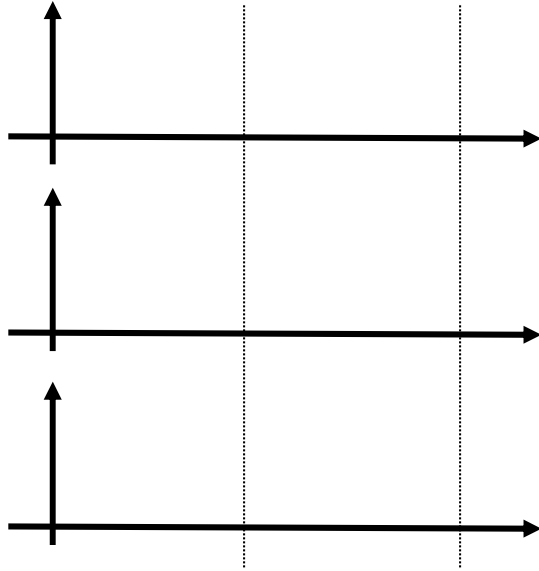
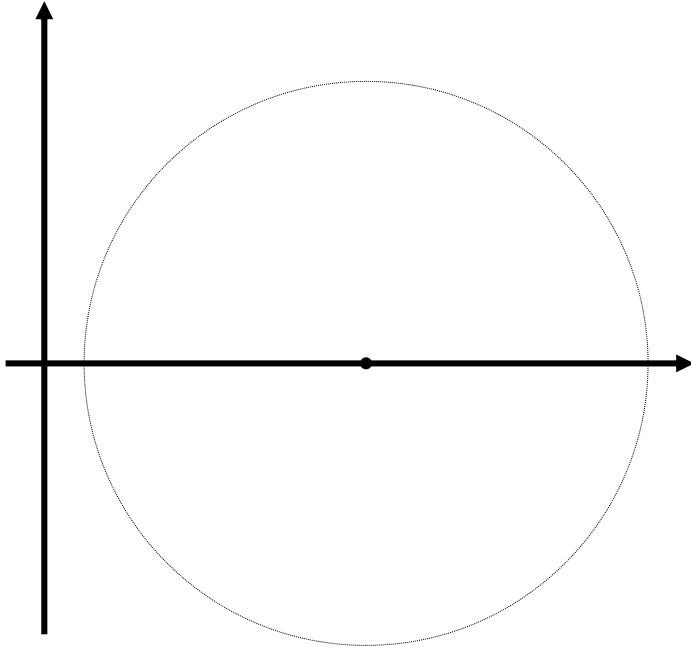
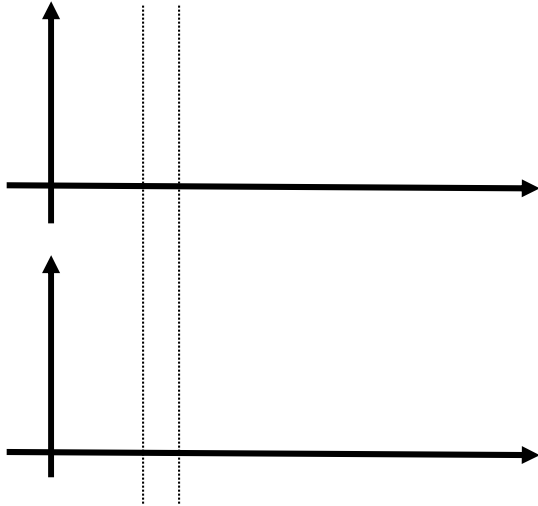


CCM Flyback: Ringing Due to L_l



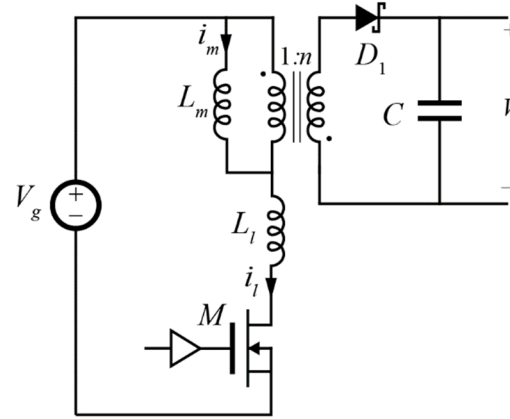
MOSFET Turn-off



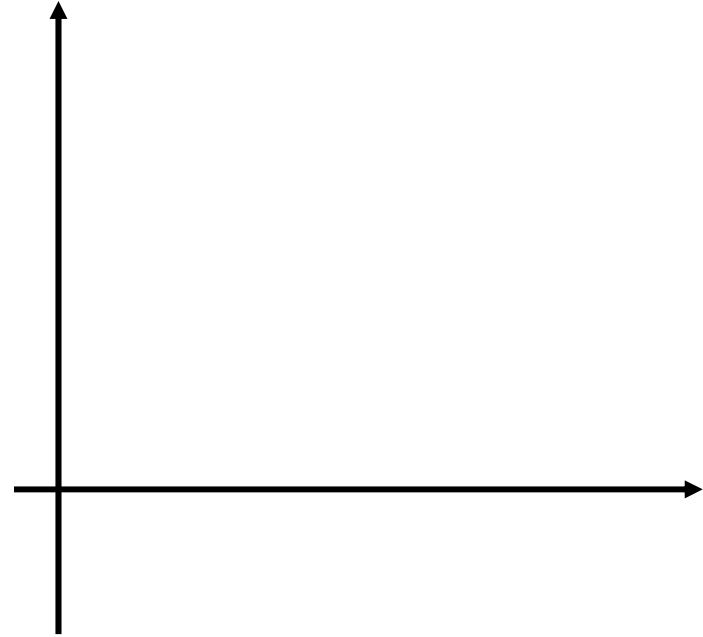
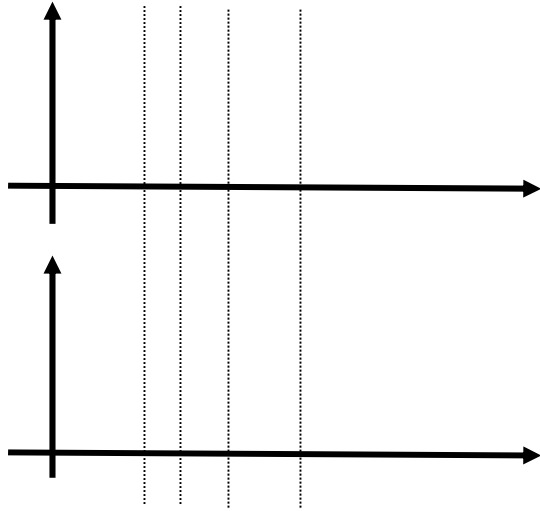
Leakage Voltage Stress

Leakage Switching Loss

CCM Flyback: Clamping Circuit



Clamped State Plane



Loss Comparison

Snubber Implementations

