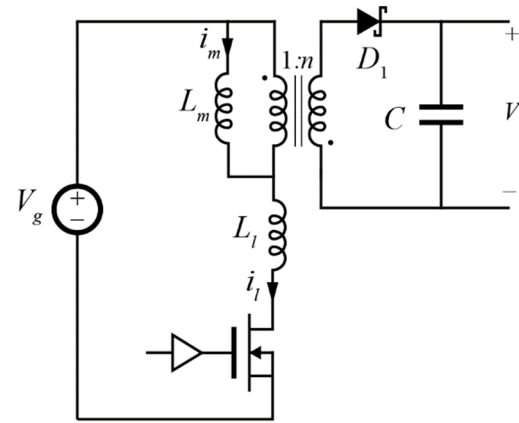
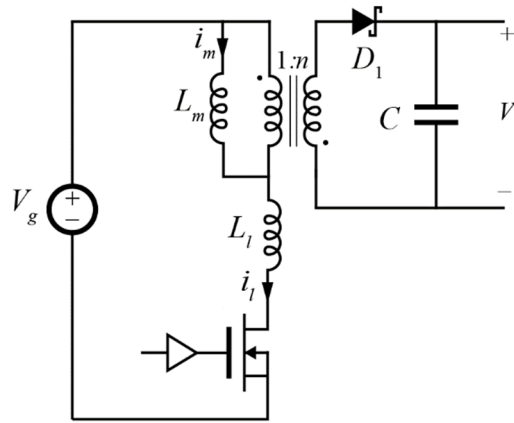
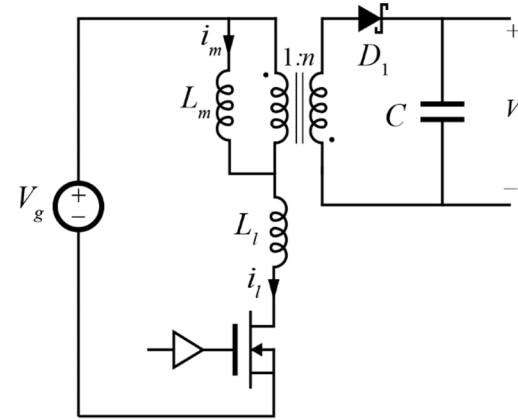


Loss Comparison

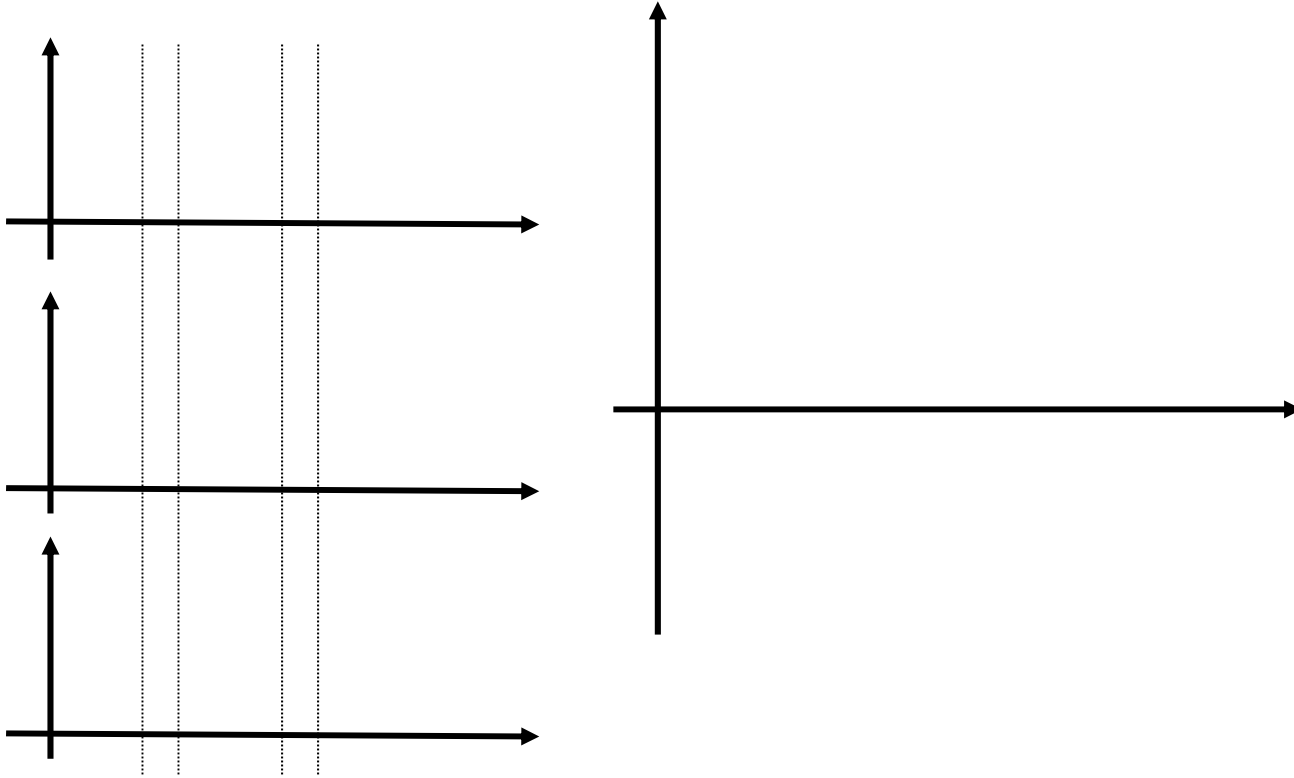
Snubber Implementations



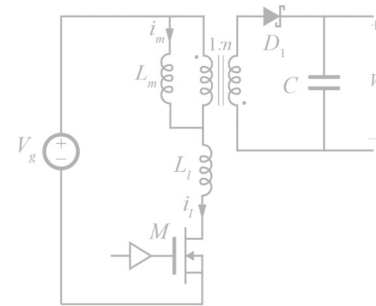
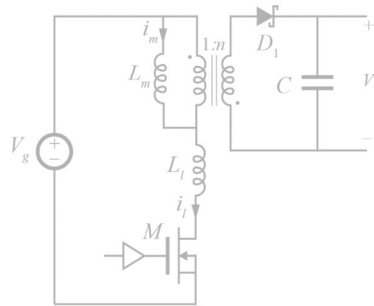
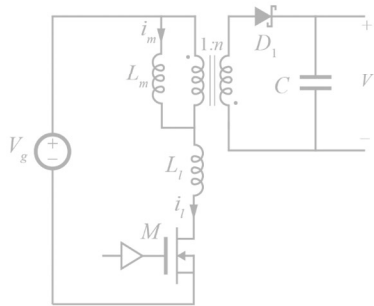
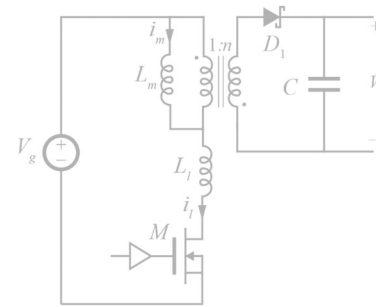
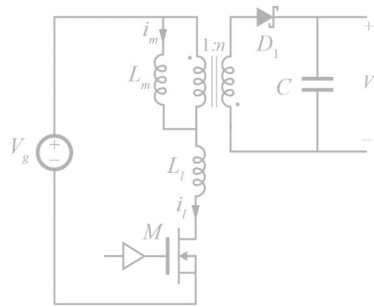
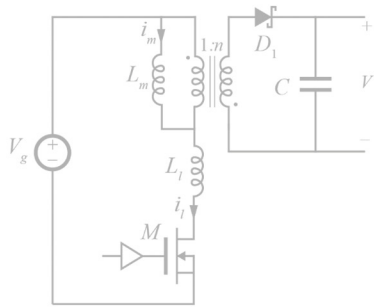
Active Clamping



Active Clamping



Subinterval Equivalent Circuits



Analysis: Intervals 1-3

Analysis: Intervals 4-6

Analysis: Averaging

Average Output Current