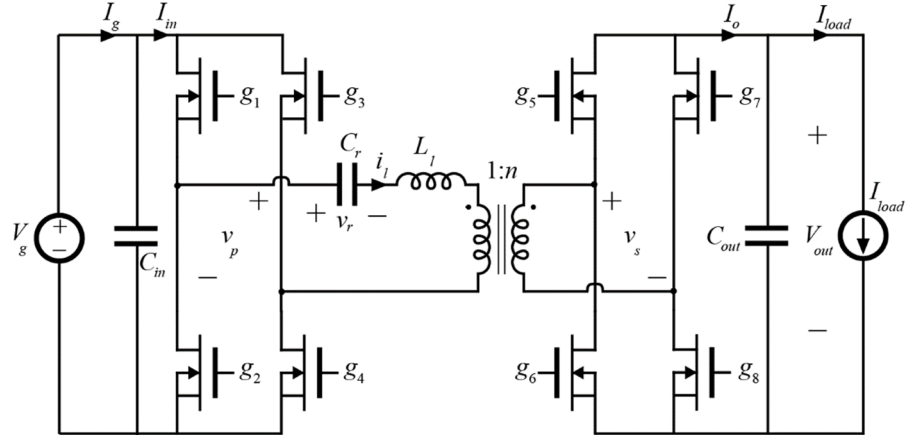
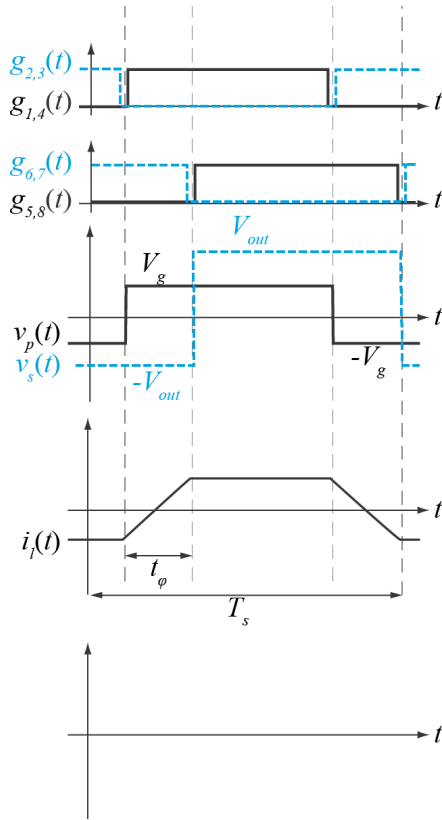
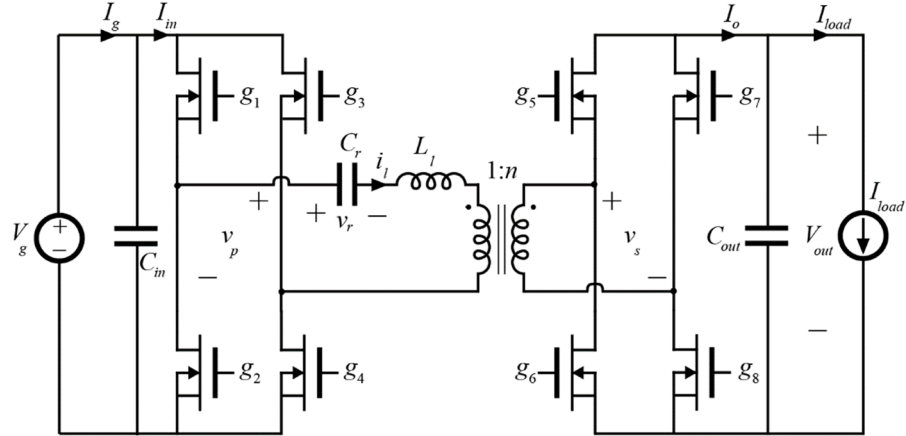
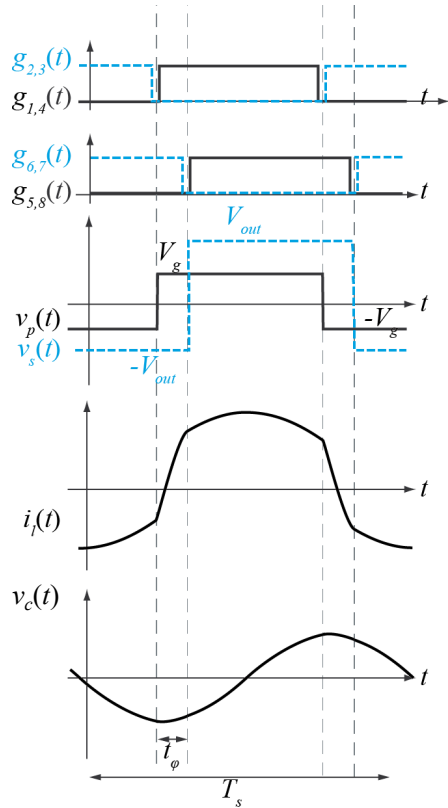


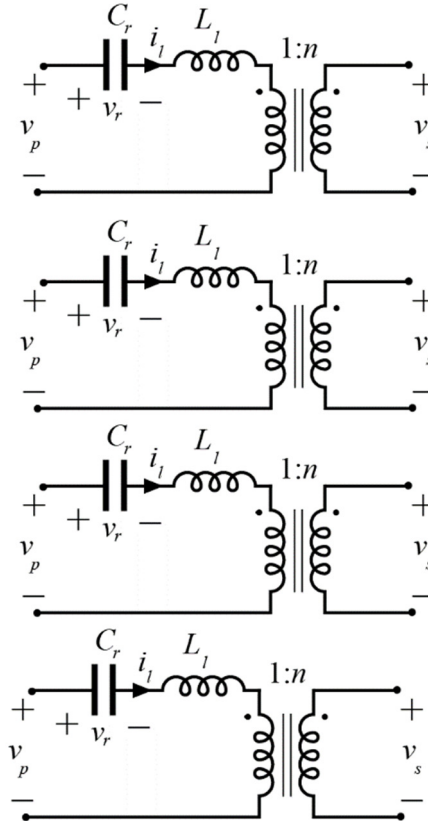
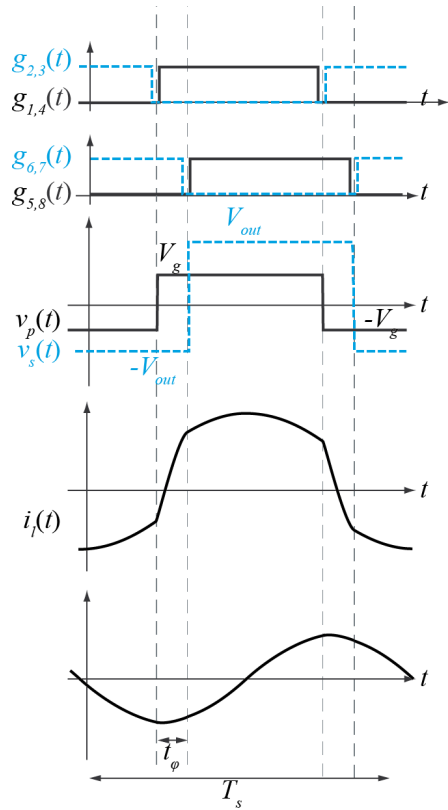
# DAB: Transformer Saturation



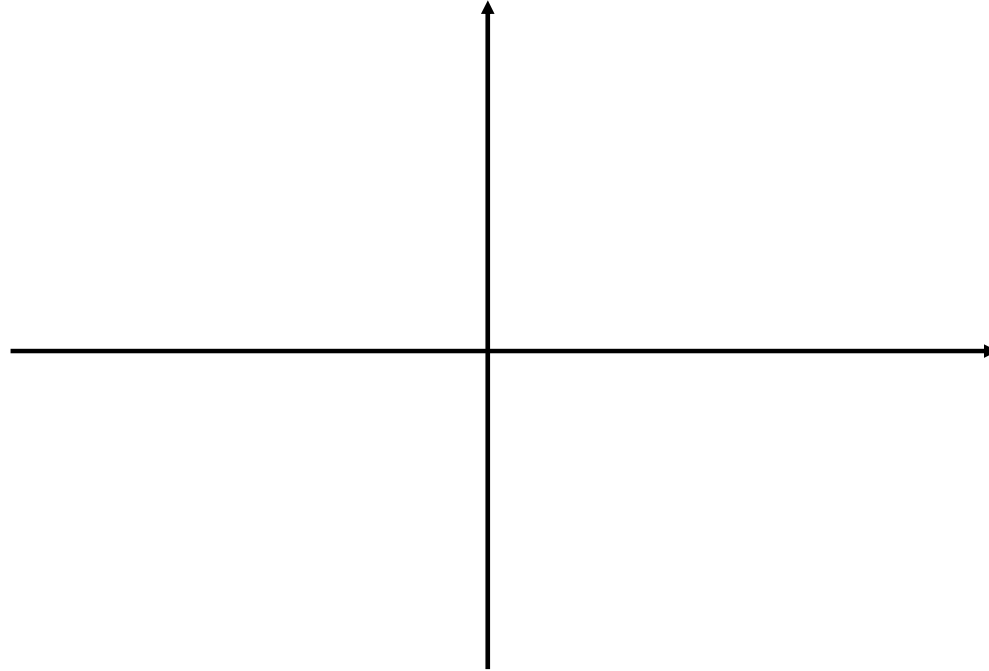
# Series Resonant Converter



# Subinterval Equivalent Circuits

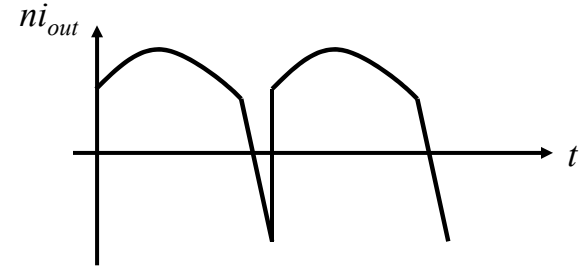


# Complete State Plane – Phase Shift Modulation



# State Plane Solution

# Averaging Step



# Closed-Form Solution