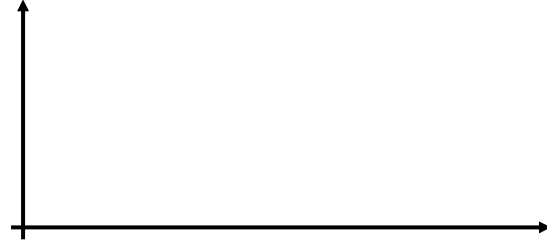


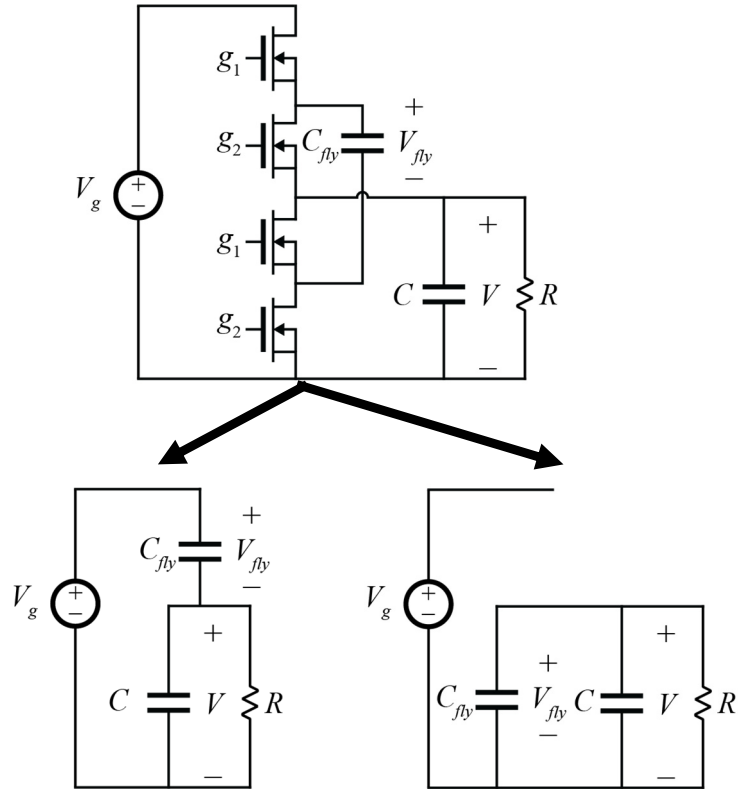
Resonant Charging

Cap-Cap Charging



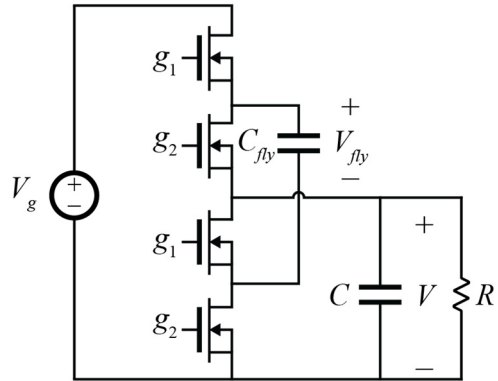
Comparison of Capacitor Charging

2:1 SC Revisited



Equivalent Circuit Model

2:1 – Resonant Implementation



Slow and Fast Switching Limits

2:1 SC – FSL Model