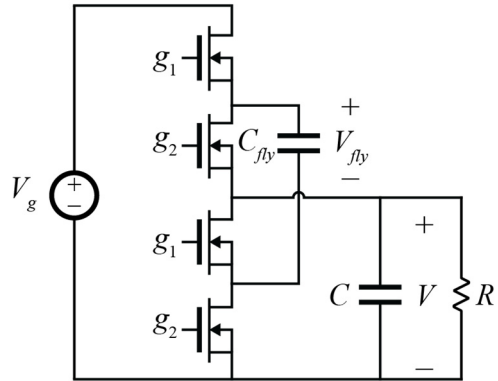
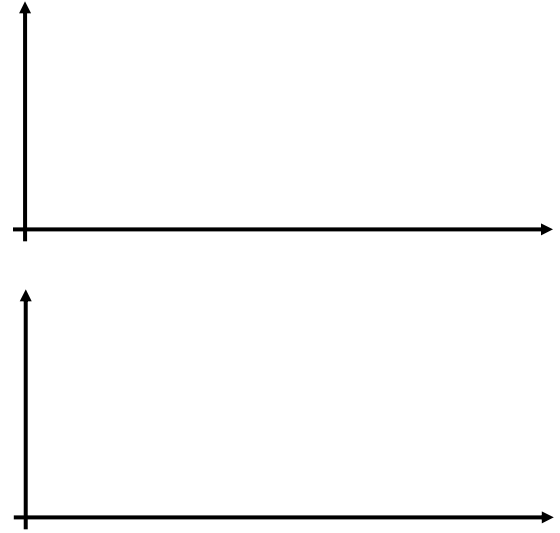


2:1 – Resonant Implementation



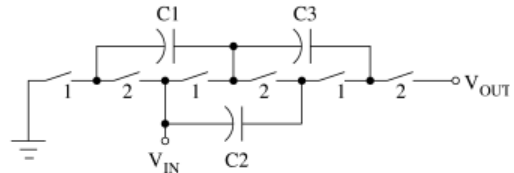
Slow and Fast Switching Limits



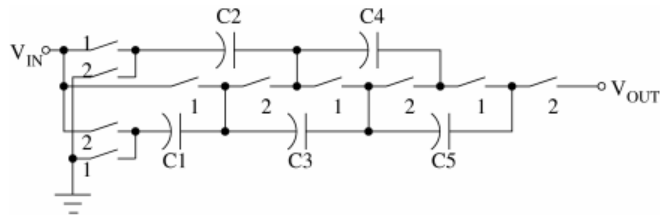
2:1 SC – FSL Model

SC Output Resistance

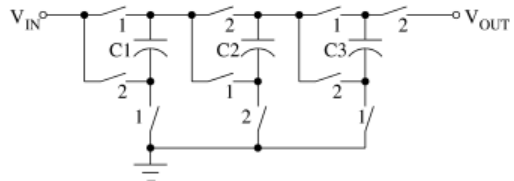
SC Converter Topologies



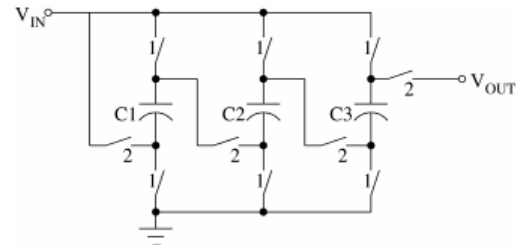
a) Ladder



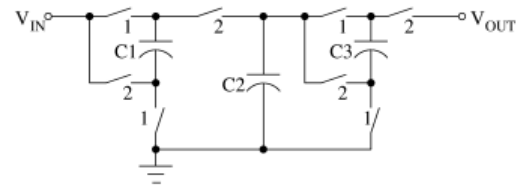
b) Dickson Charge Pump



c) Fibonacci

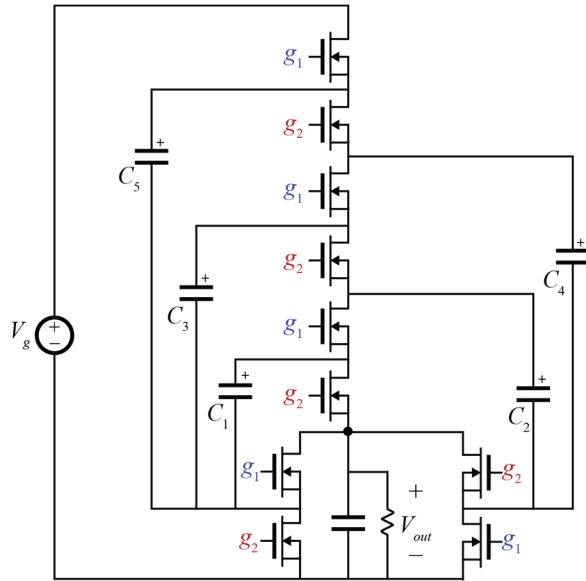


d) Series-Parallel

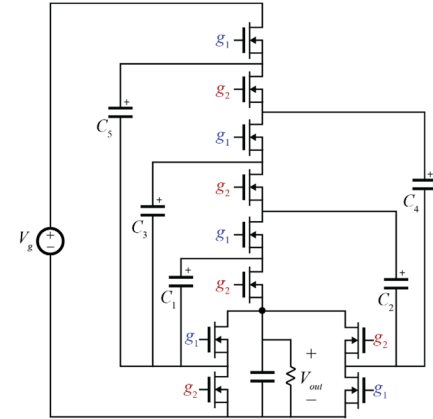
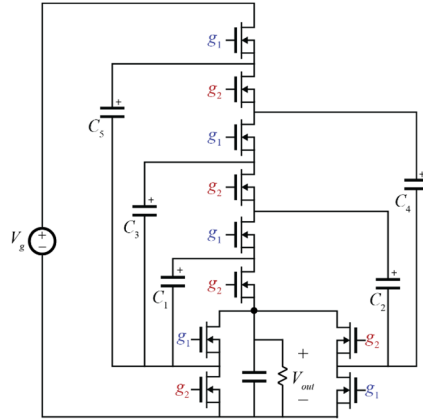
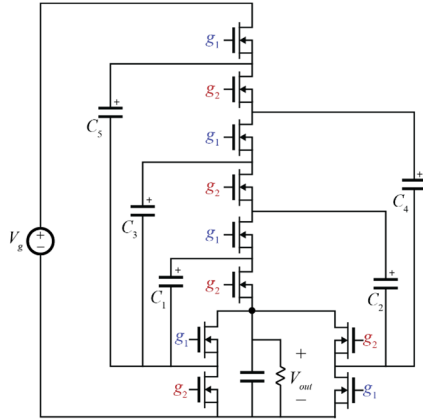


e) Doubler

Dickson Converter



Dickson Converter Variants



Y. Lei, R. May, and R. Pilawa-Podgurski, "Split-Phase Control: Achieving Complete Soft-Charging Operation of a Dickson Switched-Capacitor Converter," 2016

Y. Li, X. Lyu, D. Cao, S. Jiang and C. Nan, "A 98.55% Efficiency Switched-Tank Converter for Data Center Application," 2018.

Dickson Subintervals

