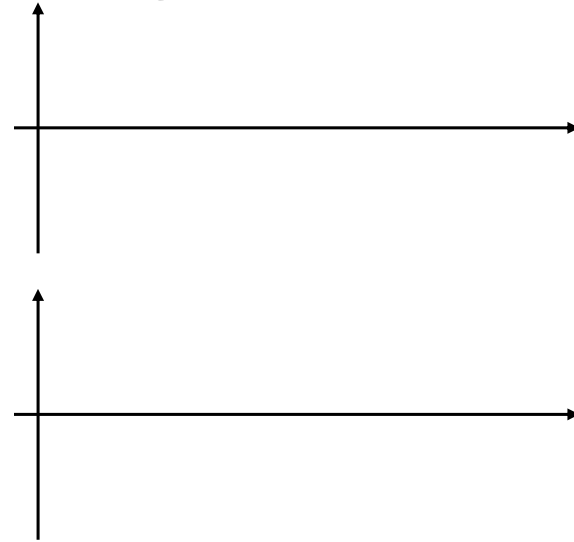
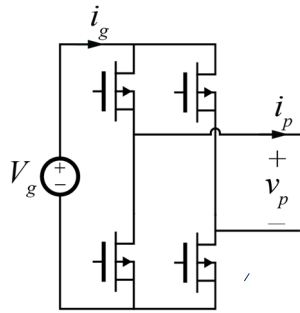


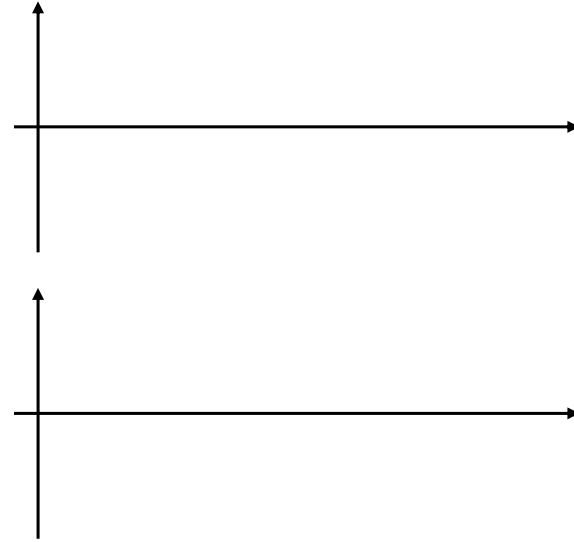
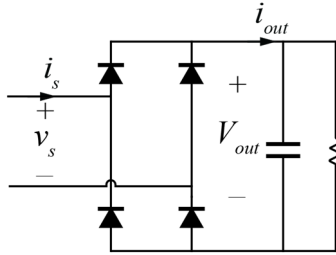
Switch Network Sinusoidal Analysis



Input Current

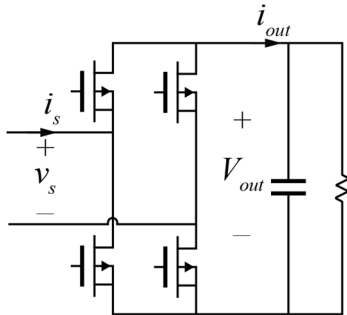
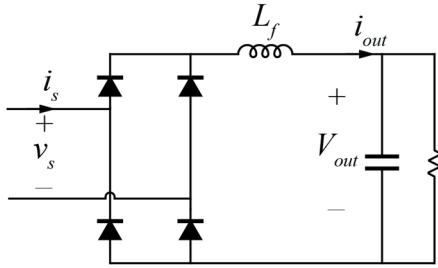
Switch Network Equivalent Circuit

Diode Rectifier Sinusoidal Analysis



Diode Rectifier Equivalent Circuit

Other Implementations



Complete Equivalent Circuit

